

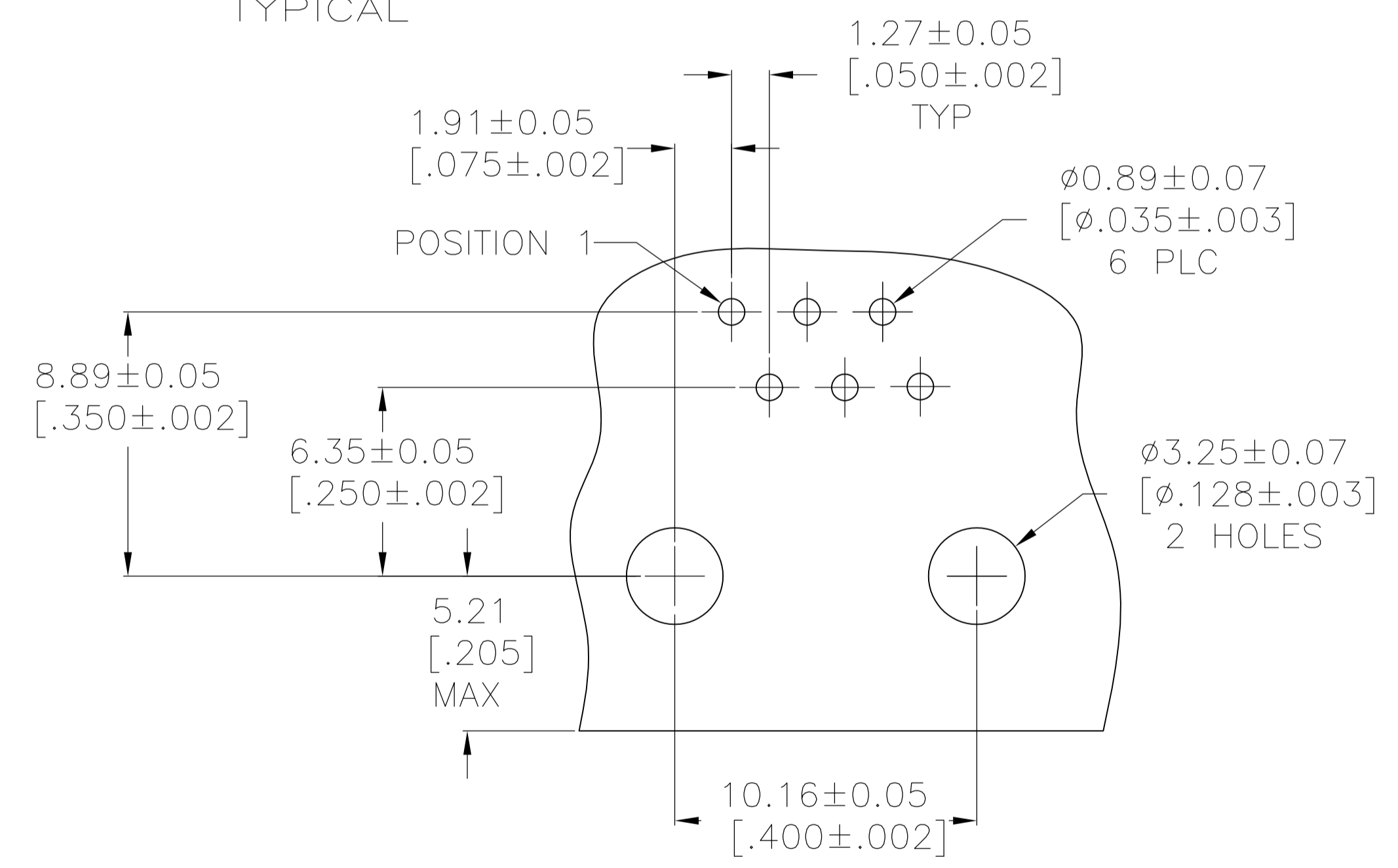
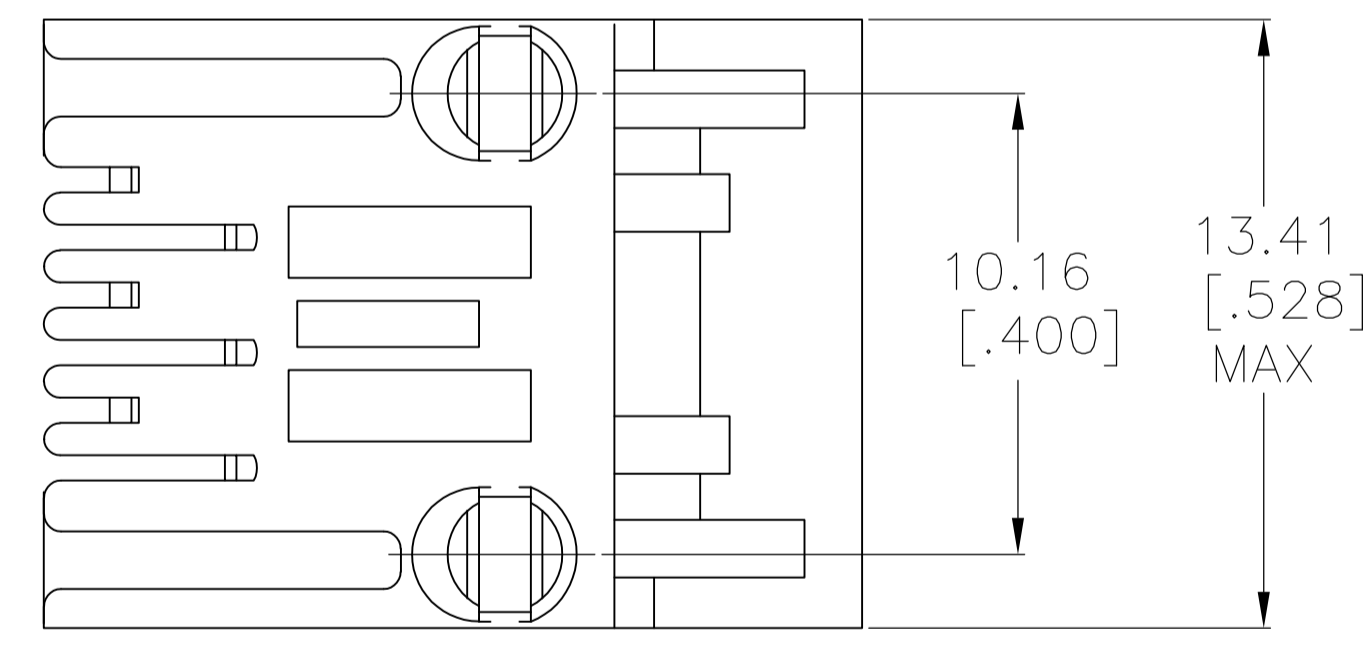
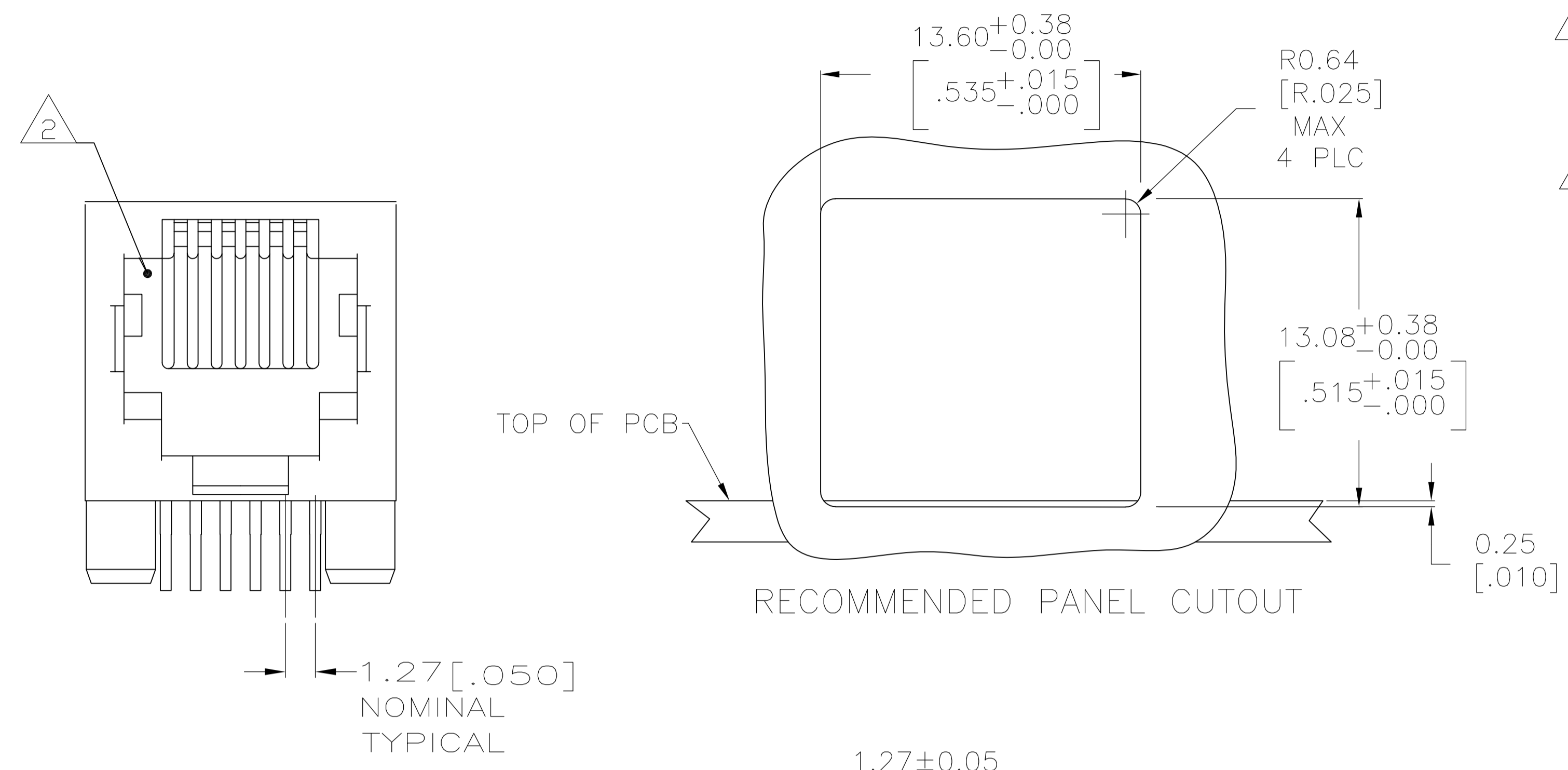
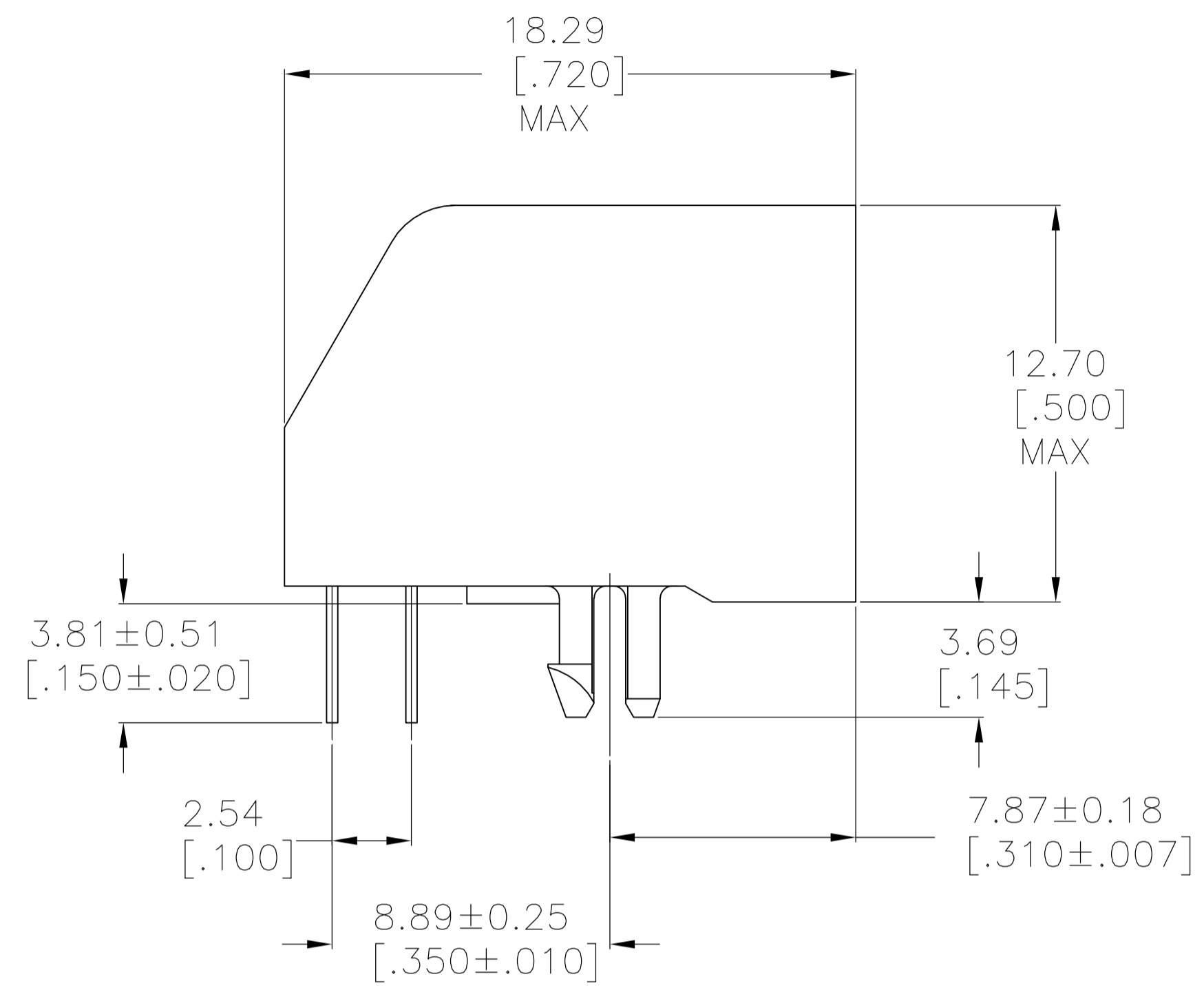


**THE DATASHEET OF**  
**5555165-5**



LOC		DIST		REVISIONS			
GP	00	REV	DATE	BY	APPV	DATE	DESCRIPTION
E2		REVISED PER ECO-12-014371	15NOV2012	CJV	PAR		

- MATERIAL: HOUSING - PBT POLYESTER, COLOR: BLACK  
TERMINAL - 0.35[.0138] THICK PHOS BRONZE  
PLATED WITH 1.27 $\mu$ m[.000050] THICK  
HARD GOLD IN LOCALIZED GOLD PLATE AREA AND  
2.03 $\mu$ m[.000080] THICK MATTE TIN IN SOLDER  
AREA OVER 1.27 $\mu$ m[.000050] THICK NICKEL  
UNDERPLATE.
- CAVITY CONFORMS TO FCC RULES AND REGULATIONS  
PART 68, SUBPART F.
- BULK PACKAGED IN A TRAY.
- TERMINALS FOR 5555165-2 AND -5 LOCATED IN  
CENTER POSITIONS.



RECOMMENDED PRINTED CIRCUIT BOARD LAYOUT  
COMPONENT SIDE SHOWN

OBsolete	DEC GREY	4	4	5555165-8
	BLACK	2	6	5555165-5
	BLACK	4	4	5555165-2
	BLACK	6	4	5555165-1
	COLOR	TERMINALS REQUIRED		PART NUMBER

THIS DRAWING IS A CONTROLLED DOCUMENT. DIMENSIONING AND TOLERANCING PER ASME Y14.5M-2009.

DIMENSIONS: mm [INCHES]	TOLERANCES UNLESS OTHERWISE SPECIFIED: 0 PLC ± - 1 PLC ± - 2 PLC ± 0.13[.005] 3 PLC ± - 4 PLC ± - ANGLES ± -	APPROVED: S. FLICKINGER 08JUNE2005	NAME: MODULAR JACK ASSEMBLY, 6 POSITION, LOW PROFILE, RIGHT ANGLE, WITHOUT PANEL STOPS
MATERIAL: SEE NOTE 1	FINISH: SEE NOTE 1	WEIGHT: -	SIZE: A1 SCALE: 6:1 SHEET: 1 OF 1 REV: E2

STE TE Connectivity

00779 5555165

## Looking for pricing, stock, or lifecycle information?

Click below to explore more details on WIN SOURCE:

 [View 5555165-5 on WIN SOURCE](#)

 [TE Connectivity](#) Information

## Optimize Your Supply Chain with WIN SOURCE Solutions

-  Global Sourcing Solution
-  Obsolete Management
-  Cost Control Management
-  Shortage Management
-  Alternative Solution
-  Excess Inventory Management