

**WIN***SOURCE*  
**ELECTRONICS**

**THE DATASHEET OF**  
**556136-1**



556136-1 ✓ ACTIVE

AMPINNERGY

TE Internal #: 556136-1

Receptacle Contact, Tin, 600 VAC, 600 VDC, Discrete Wire, 12 – 10

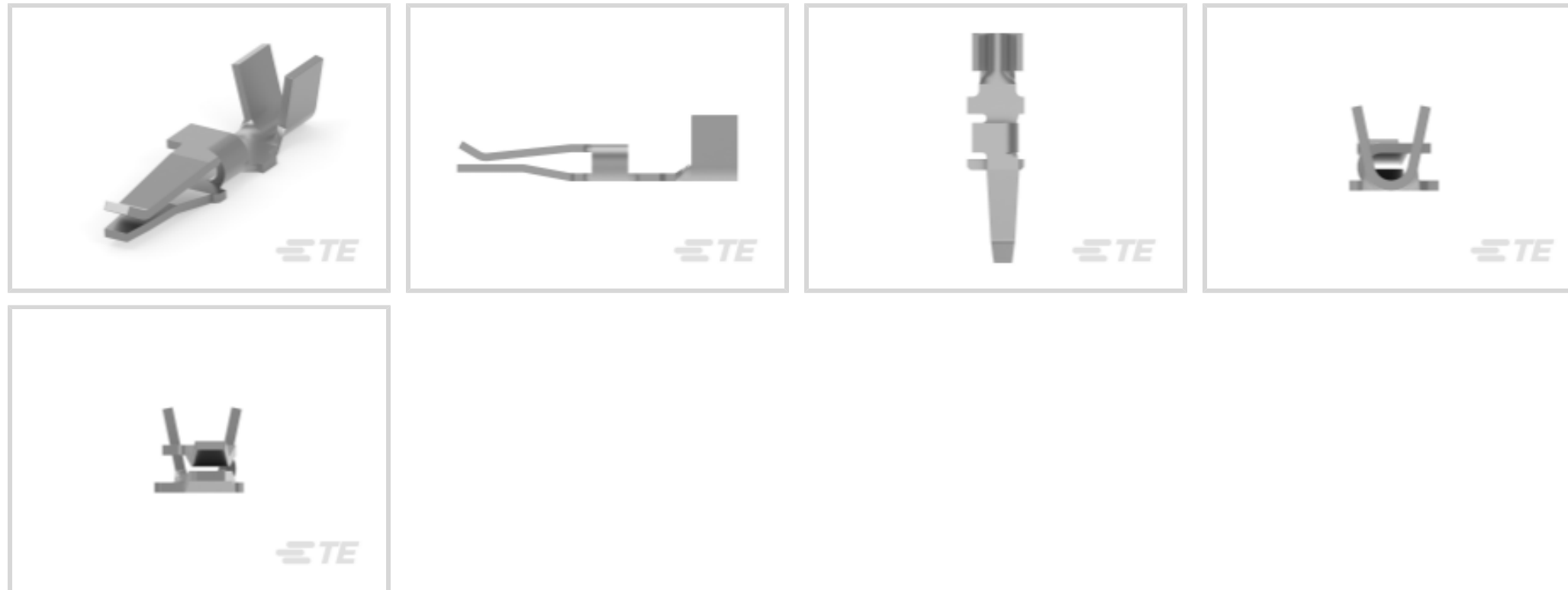
AWG, 3.31 – 5.26 mm<sup>2</sup> Wire, 6530 – 10383 CMA, Crimp, Copper

Alloy, Power

[View on TE.com >](#)



Connectors > Contacts > Connector Contacts



Contact Type: **Receptacle**

Contact Mating Area Plating Material: **Tin**

Wire Contact Termination Area Plating Material: **Tin**

Operating Voltage: **600 VDC**

## Features

### Industry Standards

Compatible With Agency/Standards Products	UL
UL Flammability Rating	UL 94V-0

### Mechanical Attachment

Wire Insulation Support	Without
-------------------------	---------

### Packaging Features

Packaging Method	Reel
Packaging Quantity	2000

### Product Type Features

Discrete Wire Type	Stranded
Sealable	No

### Contact Features

Contact Orientation	Straight
Wire Contact Termination Area Plating Thickness	2.54 μm[100 μin]
Barrel Type	Open



Contact Mating Area Plating Material Thickness	2.54 µm[100 µin]
Contact Length	27 mm[1.063 in]
Contact Type	Receptacle
Contact Mating Area Plating Material	Tin
Wire Contact Termination Area Plating Material	Tin
Contact Retention Within Housing	Without
Contact Base Material	Copper Alloy
Contact Current Rating (Max)	55 A

### Electrical Characteristics

Operating Voltage	600 VDC
-------------------	---------

### Configuration Features

Compatible With Wire & Cable Type	Discrete Wire
-----------------------------------	---------------

### Termination Features

Termination Method to Wire & Cable	Crimp
Product Terminates To	Wire & Cable

### Dimensions

Wire Size	6530 – 10383 CMA
-----------	------------------

### Usage Conditions

Operating Temperature Range	0 – 105 °C[32 – 221 °F]
-----------------------------	-------------------------

### Operation/Application

Circuit Application	Power
---------------------	-------

### Other

EU RoHS Compliance	Compliant
EU ELV Compliance	Compliant

### Product Compliance

[For compliance documentation, visit the product page on TE.com>](#)

EU RoHS Directive 2011/65/EU	Compliant
EU ELV Directive 2000/53/EC	Compliant
China RoHS 2 Directive MIIT Order No 32, 2016	No Restricted Materials Above Threshold
EU REACH Regulation (EC) No. 1907/2006	Current ECHA Candidate List: JUNE 2024 (241)

Candidate List Declared Against: JUNE 2024 (241)

Does not contain REACH SVHC

Halogen Content

Low Halogen - Br, Cl, F, I < 900 ppm per homogenous material. Also BFR/CFR/PVC Free

Solder Process Capability

Not applicable for solder process capability

Product Compliance Disclaimer

This information is provided based on reasonable inquiry of our suppliers and represents our current actual knowledge based on the information they provided. This information is subject to change. The part numbers that TE has identified as EU RoHS compliant have a maximum concentration of 0.1% by weight in homogenous materials for lead, hexavalent chromium, mercury, PBB, PBDE, DBP, BBP, DEHP, DIBP, and 0.01% for cadmium, or qualify for an exemption to these limits as defined in the Annexes of Directive 2011/65/EU (RoHS2). Finished electrical and electronic equipment products will be CE marked as required by Directive 2011/65/EU. Components may not be CE marked. Additionally, the part numbers that TE has identified as EU ELV compliant have a maximum concentration of 0.1% by weight in homogenous materials for lead, hexavalent chromium, and mercury, and 0.01% for cadmium, or qualify for an exemption to these limits as defined in the Annexes of Directive 2000/53/EC (ELV). Regarding the REACH Regulation, the information TE provides on SVHC in articles for this part number is based on the latest European Chemicals Agency (ECHA) 'Guidance on requirements for substances in articles' posted at this URL: <https://echa.europa.eu/guidance-documents/guidance-on-reach>

### Compatible Parts




**KIT**  
REPRESENTATION ONLY

TE Part # 7-2151317-7  
[OCEAN\\_2.0\\_SPARE\\_PART\\_KIT-180F](#)



TE Part # 556136-2  
[CONT,AMPINNRGY WTW,LS PC,10-12](#)

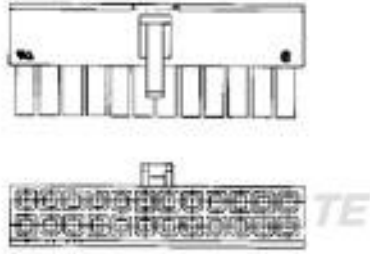


TE Part # 91308-1  
[EXT TOOL AMP INNERGY WIRE BRD](#)



TE Part # 2151317-2  
[OCEAN\\_2.0\\_Applicator-S-180F-RSA](#)

### Customers Also Bought



TE Part #1-794954-2  
[12P RCPT VAL-U-LOK V2](#)



TE Part #1-770008-0  
[UMNLII SOK SN/AU/PHBZ LF](#)



TE Part #CAT-AM71-A8502  
[Bus Connector: Strain Relief, ATA](#)



TE Part #1SNA115201R2500  
[M6/9.EE](#)



TE Part #623028-000  
D-133-06



TE Part #1-770190-0  
15P MINI-UMNL ASSY V0 SNNI\*



TE Part #5650858-5  
ASSEMBLY,RECEPTACLE,EUROCARD,  
T



TE Part #6-1393127-0  
PRD-11DY0-110=PRD



TE Part #770016-1  
05P UMNLII IN-LNE PLUG HSG KIT

## Documents

### Product Drawings

[CONT,AMPINRGY WTW,STRIP,10-12](#)

English

### CAD Files

Customer View Model

[ENG\\_CVM\\_556136-1\\_A.3d\\_igs.zip](#)

English

Customer View Model

[ENG\\_CVM\\_556136-1\\_A.3d\\_stp.zip](#)

English

Customer View Model

[ENG\\_CVM\\_556136-1\\_A.2d\\_dxf.zip](#)

English

### 3D PDF

English

By downloading the CAD file I accept and agree to the [Terms and Conditions](#) of use.

### Datasheets & Catalog Pages

[POWER\\_CONNECTORS\\_CATALOG\\_SEC02\\_CABLE\\_MOUNTED](#)

English

[1654742\\_HOUSEHOLD\\_APPLIANCES\\_RAST5](#)

English

### Product Specifications

[Application Specification](#)

English



## Instruction Sheets

### Instruction Sheet (U.S.)

English

### Inspection of AMPINNERGY System Power Contacts

English

Looking for pricing, stock, or lifecycle information?

Click below to explore more details on WIN SOURCE:

[View 556136-1 on WIN SOURCE](#)

[TE Connectivity Information](#)

### Optimize Your Supply Chain with WIN SOURCE Solutions

- ✓ Global Sourcing Solution
- ✓ Obsolete Management
- ✓ Cost Control Management
- ✓ Shortage Management
- ✓ Alternative Solution
- ✓ Excess Inventory Management