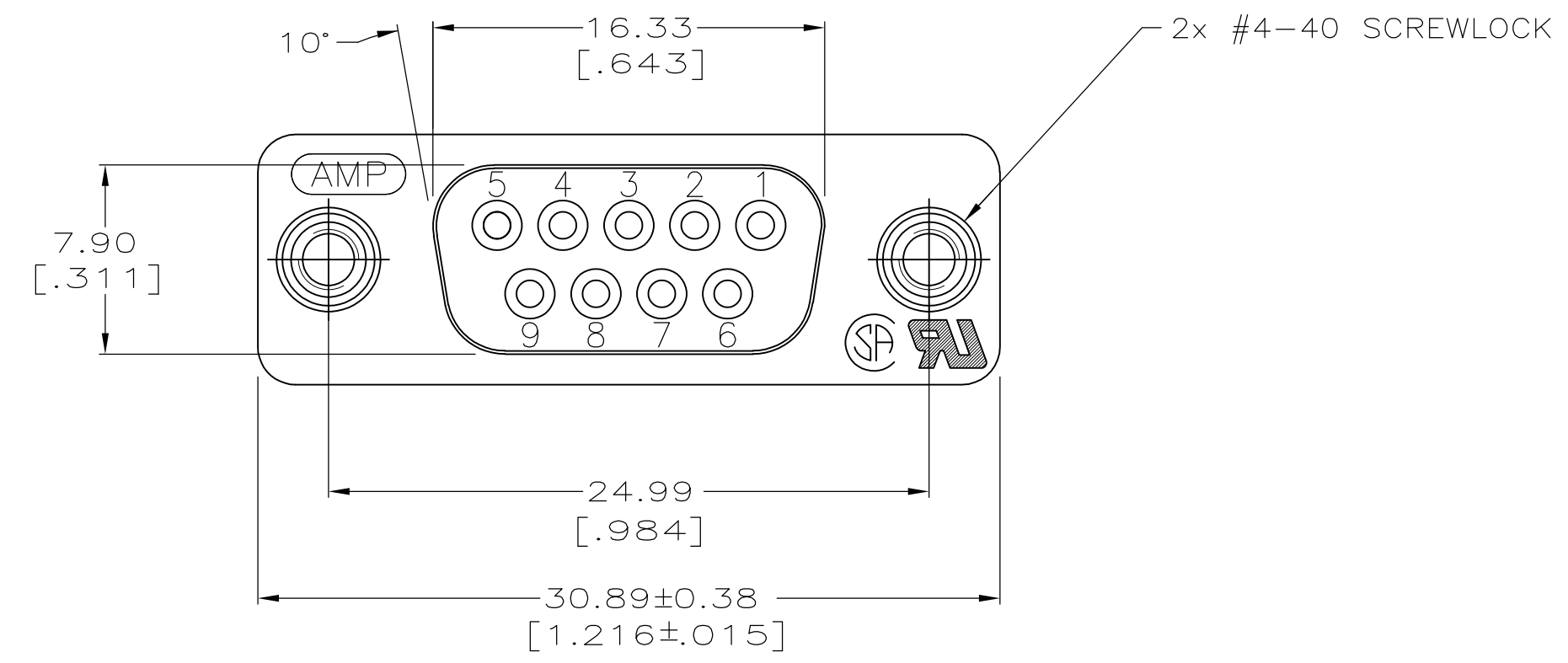




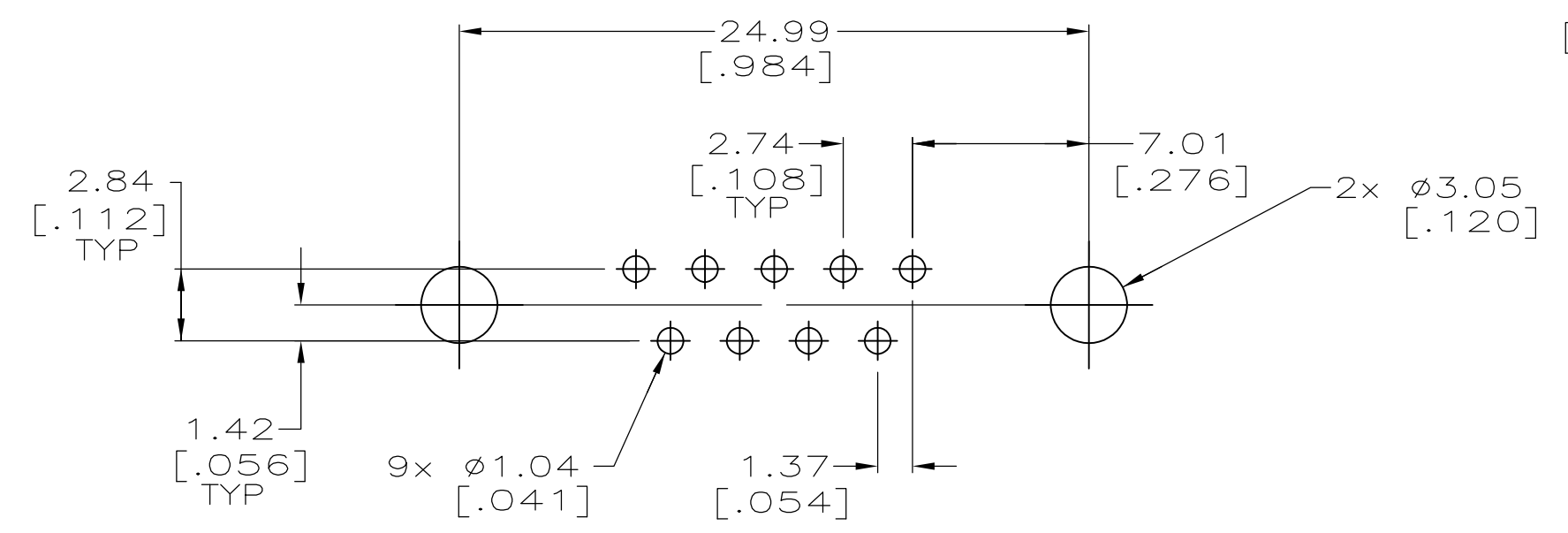
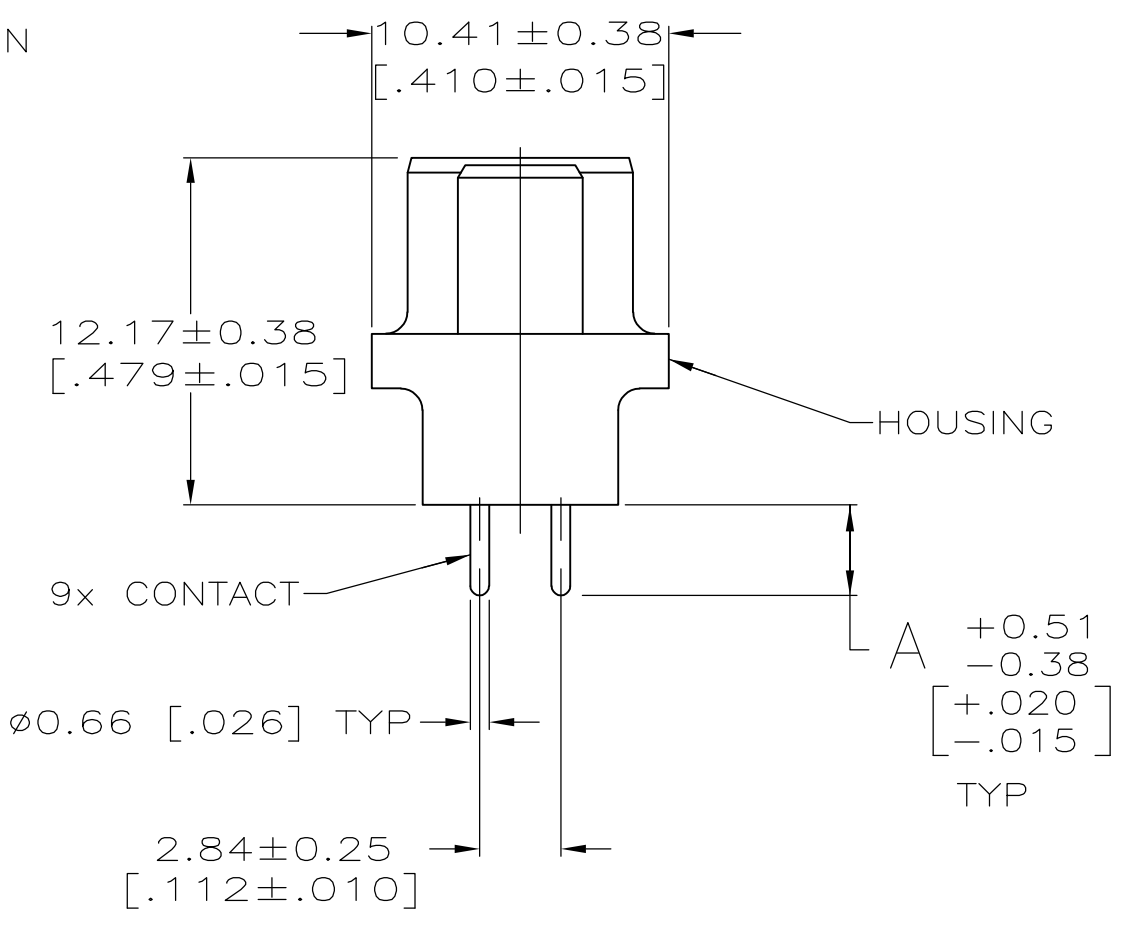
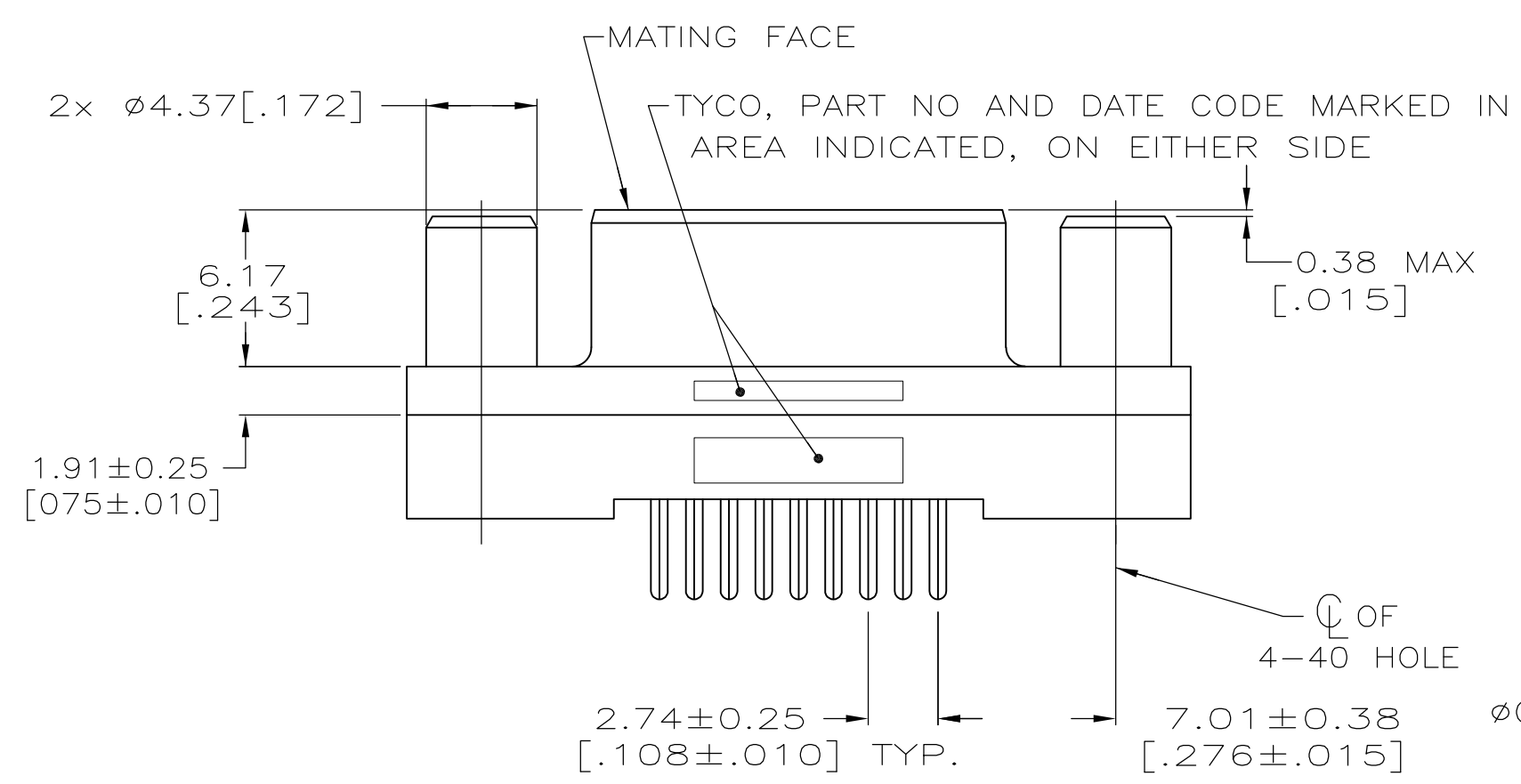
THE DATASHEET OF
5745076-4



LOC	DIST	REVISIONS			
P	LTR	DESCRIPTION	DATE	OWN	APVD
GP	00	P	REVISED PER ECO-11-004835	11MAR11	RK HMR



- 1 HOUSING: BLACK POLYESTER, UL 94V-0 RATED. CONTACTS: PHOSPHOR BRONZE. SCREWLOCKS: BRASS.
- 2 CONTACTS: SEE TABLE. SCREWLOCKS: 1.27µm [.000050] MIN NICKEL OVER COPPER FLASH.
- 3 GOLD FLASH FOR A LENGTH OF 2.54 [.100] MIN FROM MATING END, 2.54µm [.000100] MIN TIN ON OPPOSITE END, ALL OVER 1.27µm [.000050] MIN NICKEL.
- 4 0.76µm [.000030] MIN GOLD FOR A LENGTH OF 2.54 [.100] MIN FROM MATING END, 2.54µm [.000100] MIN TIN ON OPPOSITE END, ALL OVER 1.27µm [.000050] MIN NICKEL.



RECOMMENDED PC BOARD MOUNTING DIMENSIONS

**COPYRIGHT 2005
TE CONNECTIVITY CORP
ALL RIGHTS RESERVED**

4.32 [.170]	4	5745076-6
3.18 [.125]	4	5745076-4
3.18 [.125]	3	5745076-3
A	CONTACT FINISH	PART NO

THIS DRAWING IS A CONTROLLED DOCUMENT.		DWN	13SEP05	TE Connectivity	
DIMENSIONS: mm[INCHES]		CHK	13SEP05		
TOLERANCES UNLESS OTHERWISE SPECIFIED:		APVD	13SEP05		
0 PLC ± -		NAME			
1 PLC ± -		M. WALMSLEY			
2 PLC ± 0.13 [.005]		PRODUCT SPEC		RECEPTACLE ASSEMBLY, SIZE 1,	
3 PLC ± -		APPLICATION SPEC		9 POSN, VERTICAL,	
4 PLC ± -		WEIGHT		AMPLIMITE HD-20	
ANGLES ± ± 2'		SIZE		CAGE CODE	
FINISH		DRAWING NO		RESTRICTED TO	
1		A2		00779	
2		G-5745076		1 OF 1	
CUSTOMER DRAWING		SCALE 4:1		SHEET 1 OF 1	
		REV P			

Looking for pricing, stock, or lifecycle information?

Click below to explore more details on WIN SOURCE:

 [View 5745076-4 on WIN SOURCE](#)

 [TE Connectivity](#) Information

Optimize Your Supply Chain with WIN SOURCE Solutions

-  Global Sourcing Solution
-  Obsolete Management
-  Cost Control Management
-  Shortage Management
-  Alternative Solution
-  Excess Inventory Management