

THIS DRAWING IS UNPUBLISHED. RELEASED FOR PUBLICATION .19
 © COPYRIGHT 19 BY AMP INCORPORATED. ALL RIGHTS RESERVED.

LOC	DIST	REVISIONS					
		P	LTR	DESCRIPTION	DATE	DWN	APVD
DY	-	0		NPR ECR-05-005111	21JUN05	LWY	SYJ

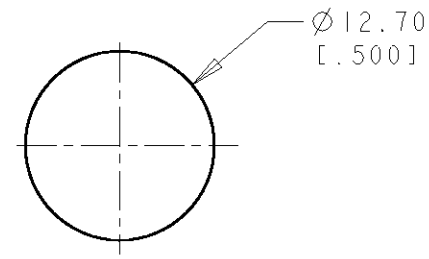
NOTES:

1 SHELLS: BRASS
 CONTACTS: PHOSPHOR BRONZE
 HOUSING: POLYESTER, UL 94V-0 RATED, BLACK

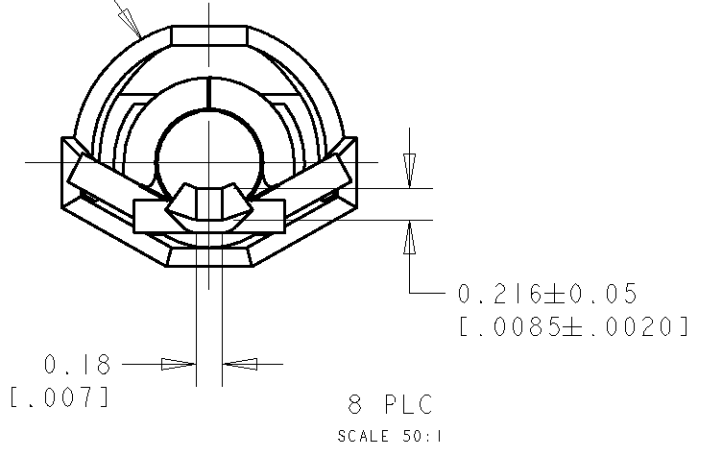
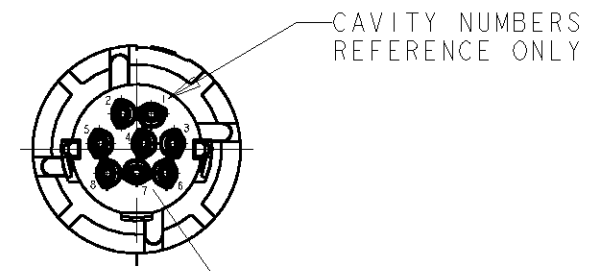
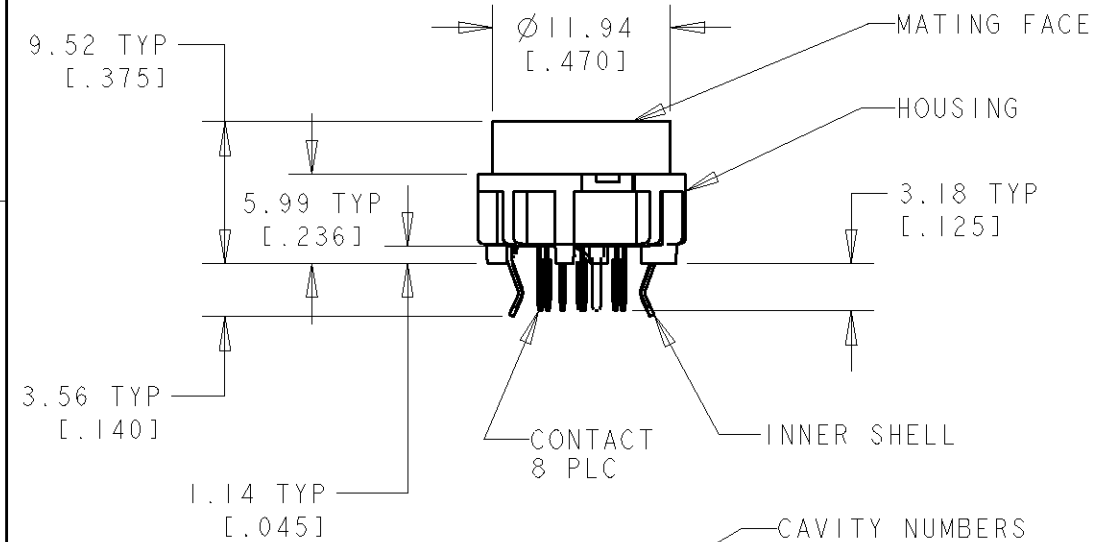
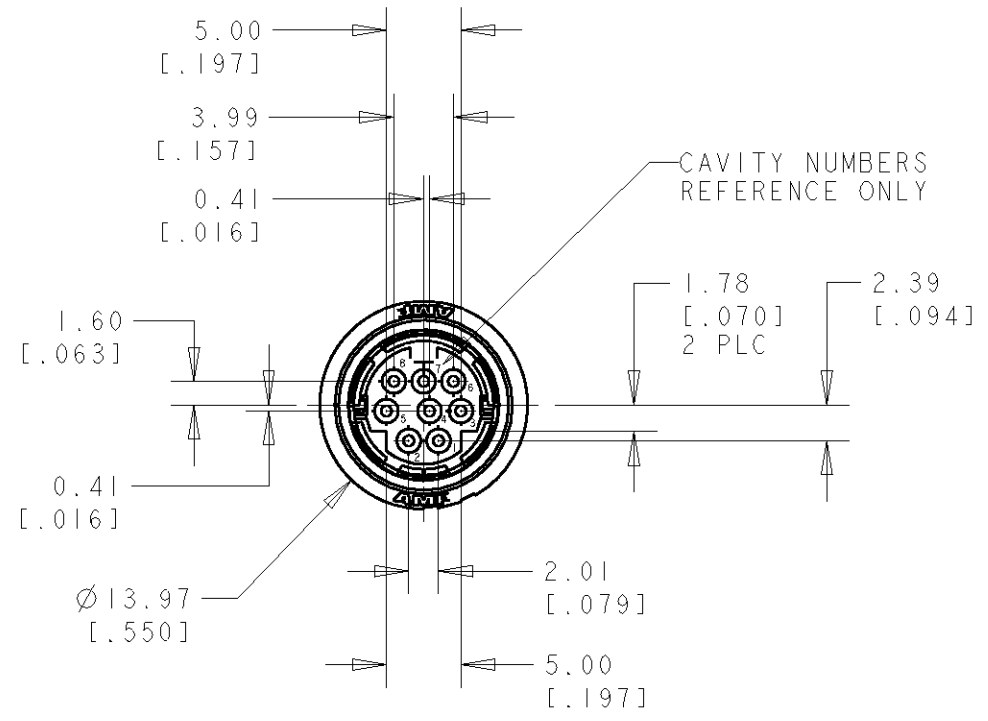
2 0.76um [.000030] MIN GOLD ON MATING END FOR A LENGTH OF 1.37 [.054] MIN ON INSIDE, 2.54um [.000100] MIN TIN FOR A LENGTH OF 3.30um [.130] MIN FROM OPPOSITE END, ALL OVER 1.27um [.000050] MIN NICKEL.

3 2.54um [.000100] MIN TIN OVER 1.27um [.000050] MIN COPPER

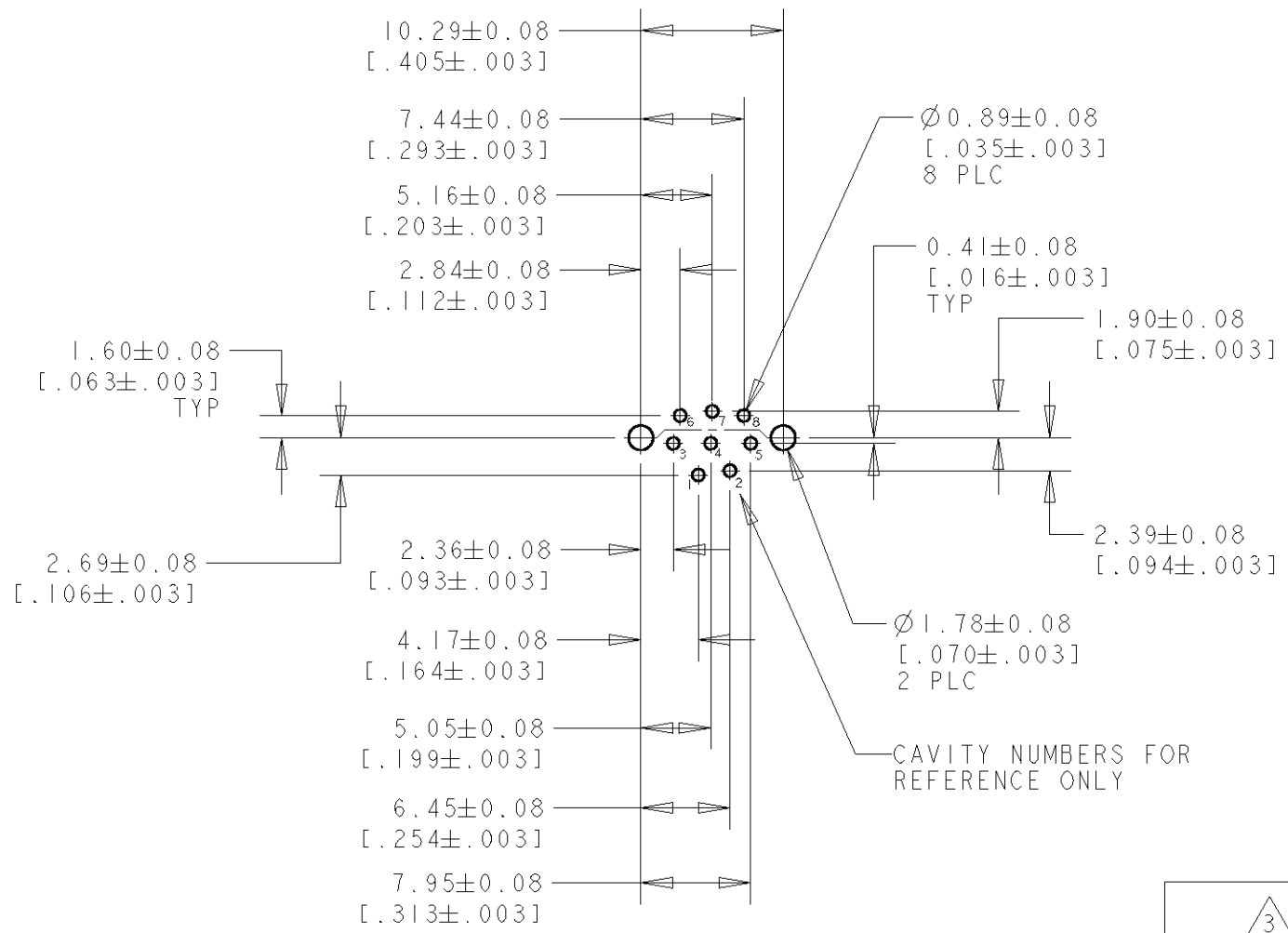
4 RECEPTACLE ASSEMBLY MATES WITH 8 PIN, $\varnothing 8.99 \pm 0.10$ [.354 \pm .004] PLUG.



RECOMMENDED PANEL CUT-OUT



8 PLC
SCALE 50:1



RECOMMENDED PC BOARD LAYOUT
BOTTOM VIEW

3	2	5750337-2
INNER SHELL FINISH	CONTACT FINISH	PART NO.

THIS DRAWING IS A CONTROLLED DOCUMENT FOR AMP INCORPORATED. IT IS SUBJECT TO CHANGE AND THE CONTROLLING ENGINEERING ORGANIZATION SHOULD BE CONTACTED FOR THE LATEST REVISION.		DWN WYLEE 21JUN2005	tyco Tyco Electronics Singapore Pte. Ltd.	
DIMENSIONS: mm [INCHES]	TOLERANCES UNLESS OTHERWISE SPECIFIED: 0 PLC ± - 1 PLC ± - 2 PLC ± 0.13 [.005] 3 PLC ± - 4 PLC ± - ANGLES ± -	CHK YJ SEE	NAME RECEPTACLE ASSEMBLY, 8 POSN, LOW FLANGE, UNSHIELDED, VERTICAL, MINIATURE CIRCULAR DIN, LF	
		APVD SF LEONG	SIZE A3	CAGE CODE 00779
MATERIAL	FINISH SEE TABLE	PRODUCT SPEC -	DRAWING NO 5750337	SCALE 10:
		APPLICATION SPEC -	WEIGHT -	SHEET 1 OF 1
CUSTOMER DRAWING		REV 0		

Looking for pricing, stock, or lifecycle information?

Click below to explore more details on WIN SOURCE:

 [View 5750337-2 on WIN SOURCE](#)

 [TE Connectivity](#) Information

Optimize Your Supply Chain with WIN SOURCE Solutions

-  Global Sourcing Solution
-  Obsolete Management
-  Cost Control Management
-  Shortage Management
-  Alternative Solution
-  Excess Inventory Management