



THE DATASHEET OF
5916G7-BK



MID POWER SPEC Pak®

Sealed Power For Environmental Connections



Marine | Wind Power | Lighting | Transportation | Pumps | Ground Support
Machine Tool | Industrial Automation | Motor | Solar Power | Harsh Environments

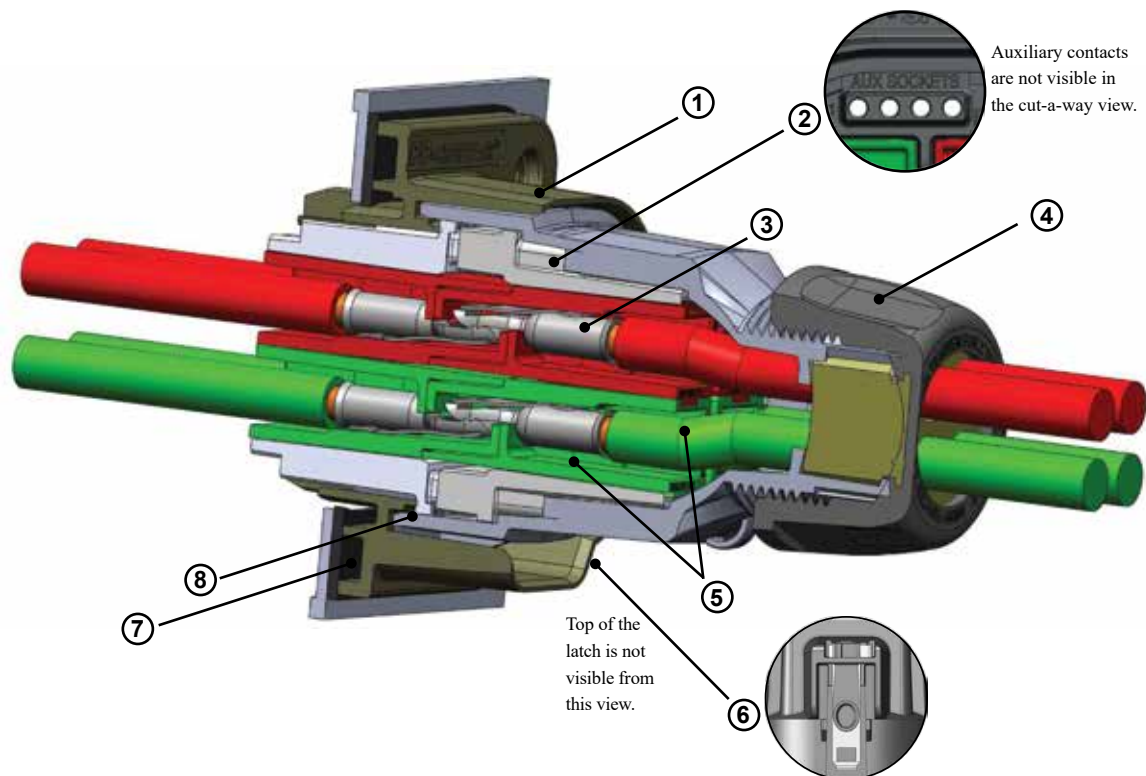


**ANDERSON
POWER™**

Rugged and Sealed (IP68) Plugs and Receptacles

The SPEC Pak® Mid Power is rugged and environmentally sealed (IP68). It leverages APP's core Powerpole® flat wiping contact technology, offering power handling capabilities up to 80 amps at 600 volts with signal.

The SPEC Pak® Mid Power shells are highly configurable. They accept up to four Powerpole® 75 (PP75) contacts and housings. They also accept up to 8 pin and socket auxiliary contacts providing the user signal and/or sequencing options. Assembly is made easy through the use of colored Powerpole® housings which can be matched to wire colors. They will accept wire sizes ranging from 12 to 6 AWG [3.3 to 13.3 mm²]. SPEC Pak® Mid Power is highly configurable providing users with a multitude of flexible design solutions in a single interconnect.



1 - Chemical & UV Resistant Ruggedized Shells

- Wire to Wire Configurations
- Wire to Panel Configurations

2 - Auxiliary Contacts for Signal and/or Sequencing (up to 8)

3 - Power Contacts (up to 4)

4 - Sealing Gland to Ensures (IP68) Environmental Seal

5 - Color Coded Powerpole® Housings to Match Wire Colors

6 - Stainless Steel Latches to Prevent Accidental Unmating

7 - IP68 Panel Mount Receptacle Gasket

8 - Sealing O-Ring Ensures (IP68) Environmental Seal

Specifications

..... SPEC Pak® Shells Used With

	SPEC Pak® Shell	Powerpole® Power Contacts & Housings	Auxiliary Contacts ^[1] (PowerMod® Series)
Electrical			
Current Rating (Amperes)			
UL 1977	-	80 ^[2]	5
CSA (30° C Rise)	-	50 ^[2]	5
Voltage Rating			
UL 1977 (AC/DC)	-	600	600
Dielectric Withstanding (AC)	-	3,000	-
Contact Resistance Milliohms (average)	-	0.200 ^[3]	2.000 ^[4]
Hot Plug Amp Rating (UL 1977)			
250 Cycles at 120V	-	50 ^[5]	
Mechanical			
Environmental Seal			
IP rating	IP68	-	-
Submersion (UL 50E)	Pass	-	-
Wire Size			
	-	12 to 6 AWG	24 to 12 AWG
	-	3.3 to 13.3 mm ²	0.50 to 2.5 mm ²
Operating Temperature			
	-40° to 105° C	-20° to 105° C	-40° to 105° C
	-40° to 221° F	-4° to 221° F	-40° to 221° F
Mating Cycles (no load)			
Silver Plated Contacts	-	1,500	-
Gold Plated Contacts	-	-	1,500
Contact Retention Force			
	-	> 50 lbf / 222 N	-
Insertion Force			
	-	28 lbf	
Touch Safe (IEC 60529)			
	-	IP10	-
Drop Test (UL50E)			
	Pass	-	-
Panel Break Off (EIA 394-97)			
	Pass	-	-
Crush Test (EIA 364-40B)			
	Pass	-	-
Materials			
Shell / Housing	PC/PBT	PC	PC/PBT
Powerpole® Holder	PC/PBT	-	-
Latch	Stainless Steel	-	-
Flammability (UL 94)	V0	V0	V0
Weatherability (UL 764C)	F1	F1	F1
Contacts			
Base	-	Copper Alloy	Copper Alloy
Plating	-	Silver	Gold over Nickel

NOTES:

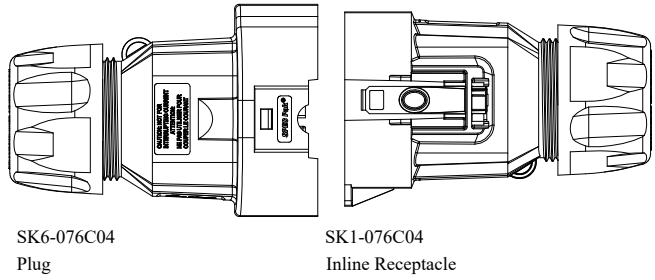
1. Integral signal holders that holds up to 8 pins and 8 sockets.
2. Based on 6 AWG.
3. Based on 6 AWG 1-1/4" distance between probes.
4. Based on 20 AWG.
5. Hot Plug testing completed using individual Powerpole® housings and contacts, not installed in SPEC Pak® shells.

Product Selection Guide

SPEC Pak® is a highly configurable environmentally sealed connector, that can be purchased as components in bulk for volume production, or pre-packaged as a kit. For convenience, follow the steps below to determine component or kit part numbers.

| COMPONENT PART NUMBER GUIDE (FOR COMPONENT BULK PURCHASE) |

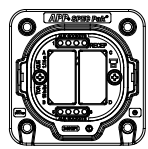
Step 1: Select Shell



SK6-076C04
Plug

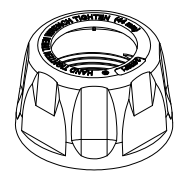
SK1-076C04
Inline Receptacle

* Select Shell Style, from page 6.



SK2-076C04
Panel Mount Receptacle

Step 2: Select Wire Protection



- * Define:

	Number of Wires	Wire OD
Wires		
- Discrete	_____	_____
- Bundled	_____	_____
- * Select wire protection that will accommodate the number of wires and outer diameter (OD) of the wire used in your application, from page 6.
- * Wire protection is required for use with inline receptacles and plugs to obtain IP68 seal.

List Component Part Numbers Here:

| KIT PART NUMBER GUIDE (FOR KITTED CONNECTOR PURCHASE) |

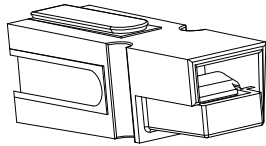
Step 1 - (see page 6)

SPEC Pak® Series	Shell Color	Shell Style (Select One)	Dash	Shell Size	Insert Arrangement
█	█	<div style="background-color: #006400; color: white; padding: 5px; border: 1px solid black;"> 1 = Inline Receptacle 2 = Panel Mount Receptacle 6 = Straight Plug 9 = Receptacle Cover 9P = Plug Cover </div>	█	█	█

List Kit Part Number Here:

Receptacle Kit Part Number:	<u>S</u>	<u>K</u>	_____	-	<u>076</u>	<u>C04</u>
Plug Kit Part Number:	<u>S</u>	<u>K</u>	_____	-	<u>076</u>	<u>C04</u>

Step 3: Select Housing Arrangement



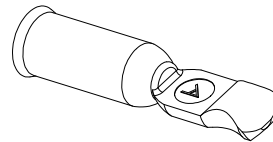
* Define:

Housing Arrangement	Number of Wires	Number of Auxiliaries
- AC Single Phase	_____	_____
- AC 3 Phase	_____	_____
- DC	_____	_____
- Other	_____	_____

* Select housing arrangement colors appropriate for your AC or DC application, from page 7.

List Component Part Numbers Here:

Step 4: Select Contacts



Power Contact



Pin Auxiliary Contact



Socket Auxiliary Contact

* Define:

Contacts	Number of Circuits	Wire Gauge
- Power	_____	_____
- Auxiliary	_____	_____
- Other	_____	_____

Amps (continuous): ____ Max amps at ____ volts

* Select power and/or auxiliary contacts appropriate for your wire size (AWG or mm²), from page 7.

Step 2 - (see page 6)	Step 3 - (see page 7)	Step 4 - (see page 7)	Custom
-----------------------	-----------------------	-----------------------	--------

..... Wire Protection Housing Arrangement Contacts APP Content
 Number of Holes Cable Sealing Range (Select Two) Dash (Select One) (Select One) Dash

00 = None
 PS = Plastic Single-hole
 PM = Plastic Multi-hole

00 = None
 01 - 99 = Various Gland Types
 (See Page 6)

NOTE: Panel Mount Receptacle is always "00 00".

0 = Custom Configuration
 A = AC Single Phase
 B = AC 3 Phase, 3 Wire
 C = DC Circuit, 4 Wire
 Z = All Black

Contact the factory
 Custom Configuration

0 = Custom Configuration
 70 = 1307 Contact for #6 AWG (13.3 mm²)
 71 = Please inquire for #8 AWG (8.4 mm²)
 72 = 5953 Contact for #10/12 AWG (3.3 to 5.3 mm²)

_____	-	_____	_____
_____	-	_____	_____

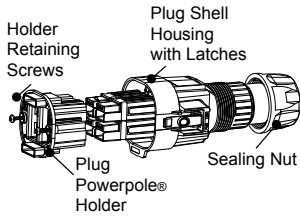
Ordering Information

PLUG SHELL KIT

Part Number & Description

SK6-076C04

- Plug shell
- Powerpole® holder - plug
- Powerpole® holder retaining screws M3.5 x 15mm
- Sealing Gland Nut
(Sealing grommet sold separately)

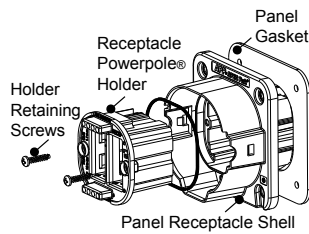


PANEL MOUNT RECEPTACLE KIT

Part Number & Description

SK2-076C04

- Panel mount receptacle shell
- Powerpole® holder - receptacle
- Panel mount receptacle gasket
- Powerpole® holder retaining screws M3.5 x 15mm

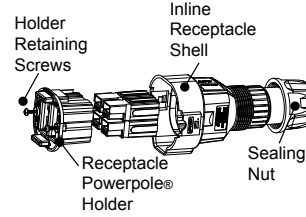


INLINE RECEPTACLE KIT

Part Number & Description

SK1-076C04

- Inline receptacle shell
- Powerpole® holder - receptacle
- Powerpole® holder retaining screws M3.5 x 15mm
- Sealing Gland Nut
(Sealing grommet sold separately)



COVER KIT

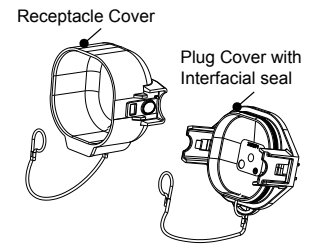
Part Number & Description

SK9-076

- Receptacle Cover Kit
- Cover (IP68) with lanyard

SK9P-076

- Plug Cover Kit
- Cover (IP68) with lanyard



Component Replacement Parts

Part Number	Description
115129P1	Panel Mount Receptacle Gasket
H1120P53	Powerpole holder retaining screws M3.5 x 15mm

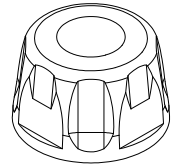
NOTE:
Mounting Hardware (4 each M4 or #8 screws) not included.
Recommended torque for mounting hardware is 7-10 in-lbs.

WIRE PROTECTION - CABLE GLAND

Material	
Shell	PBT/PC
Sealing Grommet	EPDM
Flammability (UL 94)	V0
Weatherability (UL 764C)	F1
Color	Black

Mechanical	
IP Rating	IP68
Operating Temperature (UL 1977)	-40° to 105° C -40° to 221° F
Thread Type	Integrated into inline receptacle & plug shells

Torque Requirements
Hand tighten. Using a 44 mm wrench or strap wrench, tighten an additional 3/4 - 1 turn.



Wire Protection

Straight Plastic Single & Multi Hole Cable Gland

Number of Holes	Cable Range Wire Outer Diameter mm (in)	Wrench Size Sealing Nut	Protection Designation	Sealing Glands	
				Sealing Grommet Only	(includes sealing grommet & wire protection nut)
				Part Numbers	
Minimum Quantity				10	10
1	18.0 - 24.0 mm (0.79" - 0.85")	44	PS 01	B02130P7	PS1T40-24X
2	3.8 - 5.0mm (0.15" - 0.20")	44	PM 21	B02130P12	PS2T40-5X
2	6.0 - 7.2mm (0.24" - 0.28")	44	PM 22	B02130P11	PS2T40-7X
2	7.0 - 9.0mm (0.28" - 0.35")	44	PM 23	B02130P10	PS2T40-9X
3	6.0 - 7.2mm (0.24" - 0.28")	44	PM 32	B02130P5	PS3T40-7X
3	7.0 - 9.0mm (0.28" - 0.35")	44	PM 33	B02130P4	PS3T40-9X
4	3.8 - 5.0mm (0.15" - 0.20")	44	PM 41	B02130P3	PS4T40-5X
4	6.0 - 7.2mm (0.24" - 0.28")	44	PM 42	B02130P2	PS4T40-7X
4	7.0 - 9.0mm (0.28" - 0.35")	44	PM 43	B02130P1	PS4T40-9X

For use with SK1-076C04 & SK6-076C04

For use with shell kit components purchased in bulk.

C04 Housing Arrangement

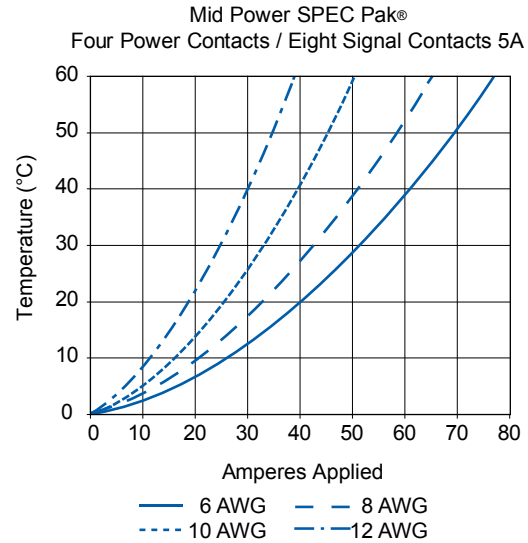
Configured with up to 4 PP75 Contacts - Up to 80 Amps

| Standard Housing Arrangements |

E = Empty

0	Custom Configuration	
	AC Single Phase	
A	5916G4	5916G5
	5916G6	E
	AC 3 Phase, 3 Wire	
B	5916G4	5916G5
	5916G7	E
	DC 2 Circuit, 4 Wire	
C	5916G4	5916G4
	5916G7	5916G7
	All Black	
Z	5916G4	5916G4
	5916G4	5916G4

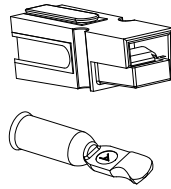
| TEMPERATURE CHART |



Ordering Information

PP75 Standard Power Contacts, Signal Contacts & Housings

Description	----- Part Number -----	
Minimum Quantity ..	1000	100
Red	5916G7-BK	5916G7
Green	5916G6-BK	5916G6
Black	5916G4-BK	5916G4
White	5916G5-BK	5916G5
Blue	5916-BK	5916
Yellow	5916G15-BK	5916G15
Orange	5916G14-BK	5916G14
Gray	5916G16-BK	5916G16



Spacer & Keying Accessory

Description	----- Part Number -----	
Minimum Quantity	1000	100
Red, Short	1399G23-BK	1399G23
Red, Long	1399G21-BK	1399G21

PP75 Silver Plated Wire Contacts

Type	AWG	mm ²	Mating Force	-- Part Numbers --		Contact Code Designation	Hand	Pneumatic			
				Tool	Tool		Die	Locator			
Minimum Quantity							1000	100	For use with 6 AWG		
Individual 6	6	13.3	Low	1307-BK	1307	70	1309G4	1387G1	1388G6	1389G6	
Individual 8	8	8.4	Low	Please inquire		71	For use with 12/10 AWG				
Individual 12 to 10	12 to 10	3.3 to 5.3	Low	5953-BK	5953	72	1309G4	1387G1	1388G7	1389G6	

Auxiliary Contacts (PowerMod® series)

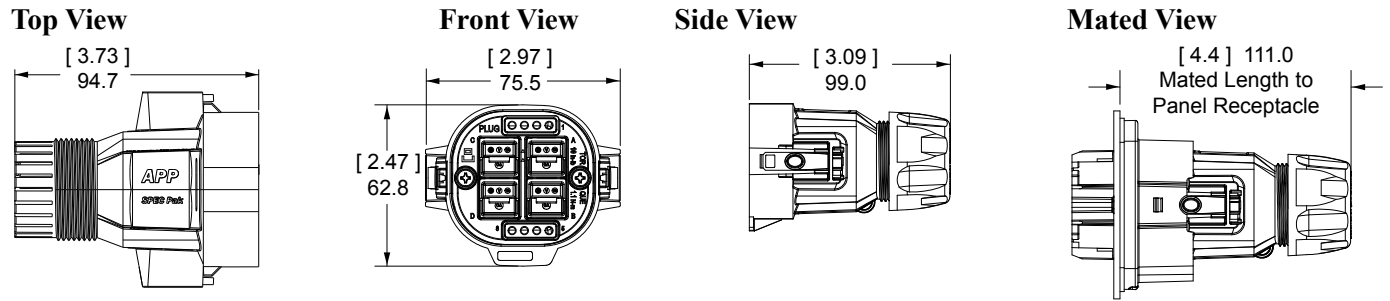
Type	AWG	mm ²	--- Part Number ---	
Minimum Quantity				
Standard Length 7.7mm				
Pin	24 to 20	0.50 to 0.75	PM16P2024S30	PM16P2024S30-50
Pin	20 to 18	0.75 to 1.00	PM16P1620S30	PM16P1620S30-50
Pin	16 to 14	1.00 to 1.5	PM16P1416S30	PM16P1416S30-50
Pin	12	2.50	PM16P12S30	PM16P12S30-50
Pre-Mate 9.3mm				
Pin	24 to 20	0.50 to 0.75	PM16P2024A30	PM16P2024A30-50
Pin	20 to 18	0.75 to 1.00	PM16P1620A30	PM16P1620A30-50
Pin	16 to 14	1.00 to 1.5	PM16P1416A30	PM16P1416A30-50
Pin	12	2.50	PM16P12A30	PM16P12A30-50
Post-Mate 6.4mm				
Pin	24 to 20	0.50 to 0.75	PM16P2024C30	PM16P2024C30-50
Pin	20 to 18	0.75 to 1.00	PM16P1620C30	PM16P1620C30-50
Pin	16 to 14	1.00 to 1.5	PM16P1416C30	PM16P1416C30-50
Pin	12	2.50	PM16P12C30	PM16P12C30-50

Socket	24 to 20	0.25 to 0.50	PM16S2024S32	PM16S2024S32-50
Socket	20 to 16	0.50 to 1.30	PM16S1620S32	PM16S1620S32-50
Socket	16 to 14	1.30 to 2.10	PM16S1416S32	PM16S1416S32-50
Socket	12	2.5	PM16S12S32	PM16S12S32-50

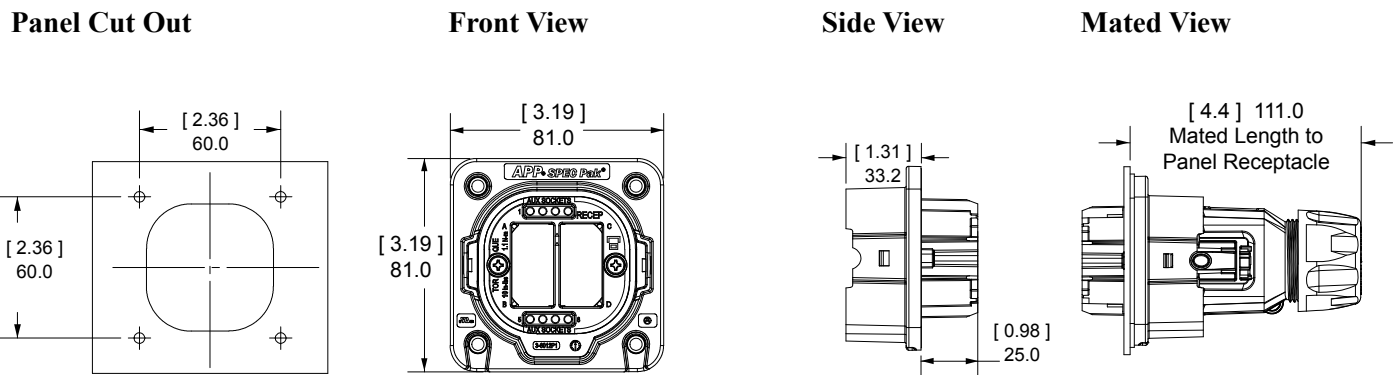
Hand Tool	Hand		Pneumatic	
	Tool	Locator	Tool	Locator
For use with pins				
PM1000G1	TM0001	TL0001	TP0001	TL0001
For use with sockets				
PM1000G1	TM0001	TL0002	TP0002	TL0002

Dimensions

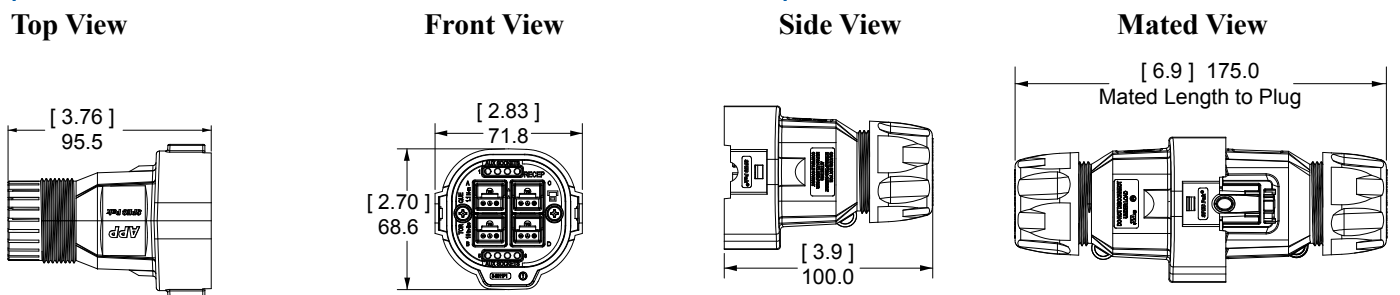
| PLUG MID POWER FOR PP75 HOUSINGS |



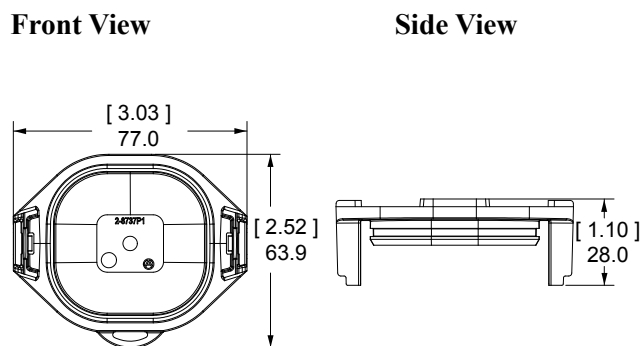
| PANEL MOUNT RECEPTACLE MID-POWER FOR PP75 |



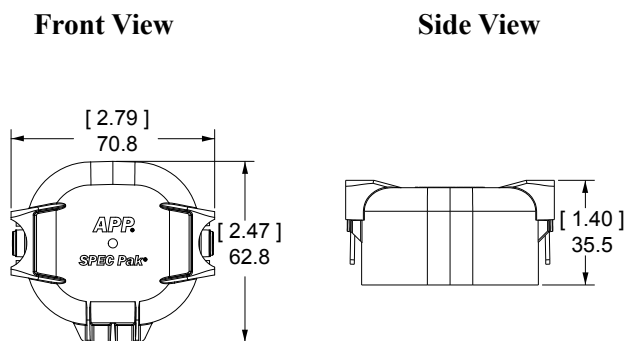
| INLINE RECEPTACLE MID-POWER FOR PP75 |



| PLUG COVER KIT |



| RECEPTACLE COVER KIT |



© 2017 Anderson Power Products, Inc. All rights reserved. APP®, Anderson Power Products®, A®, SPEC Pak®, Powerpole® and the APP Logo are registered trademarks of Anderson Power Products, Inc.
 All Data Subject To Change Without Notice

REV 4

2024-0103 DS-MPSPAK

HEADQUARTERS: Anderson Power Products®, 13 Pratts Junction Road, Sterling, MA 01564-2305 USA T:978-422-3600 F:978-422-0128 • **EUROPE:** Anderson Power Products® Ltd., Unit 3, Europa Court, Europa Boulevard, Westbrook, Warrington, Cheshire, WA5 7TN United Kingdom T: +44 (0) 1925 428390 F: +44 (0) 1925 520203 • **ASIA / PACIFIC:** IDEAL Anderson Asia Pacific Ltd., Unit 922-928 Topsail Plaza, 11 On Sum Street, Shatin N.T., Hong Kong T: +(852) 2636 0836 F: +(852) 2635 9036 • **CHINA:** IDEAL Anderson Technologies (Shenzhen) Ltd., Block A8 Tantou Western Industrial Park, Songgang Baoan District, Shenzhen, PR. China 518105 T: +(86) 755 2768 2118 F: +(86) 755 2768 2218 • www.andersonpower.com •

Looking for pricing, stock, or lifecycle information?

Click below to explore more details on WIN SOURCE:

-  [View 5916G7-BK on WIN SOURCE](#)
-  [Anderson Power Products, Inc. Information](#)

Optimize Your Supply Chain with WIN SOURCE Solutions

-  Global Sourcing Solution
-  Obsolete Management
-  Cost Control Management
-  Shortage Management
-  Alternative Solution
-  Excess Inventory Management