



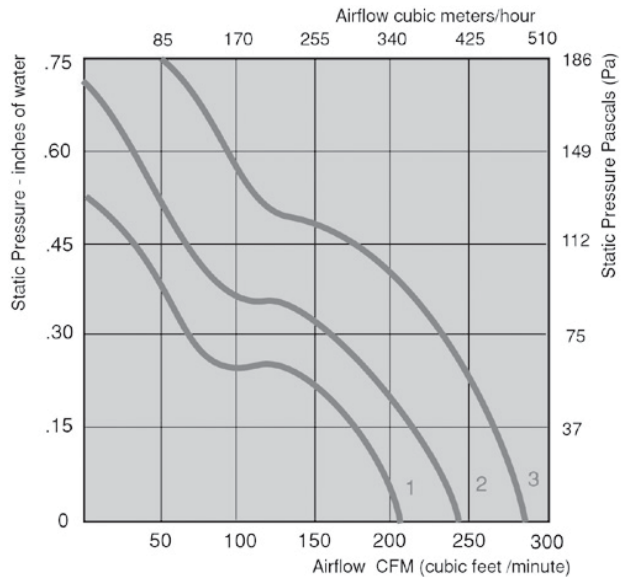
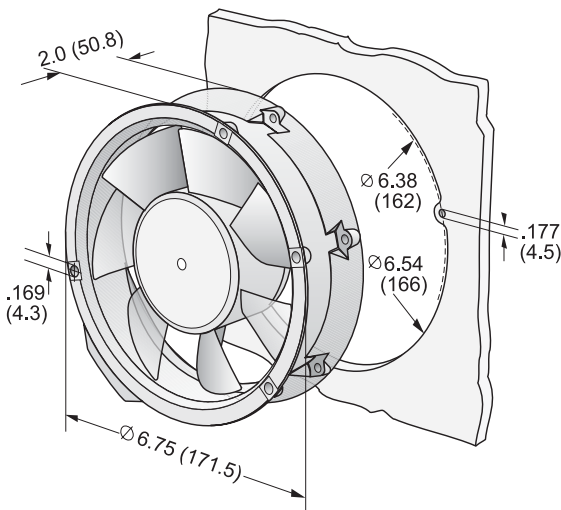
6200N Series

Tubeaxial

Ø 172x51mm

- DC fans with electronically commutated external rotor motor. Fully integrated commutation electronics. With electronic protection against reverse polarity and blocking; electronic motor current limitation in the start-up phase when rotor is blocked.
- Metal fan housing, impeller of fiber-glass reinforced plastic PA.
- Air exhaust over struts. Rotational direction CCW looking at rotor.
- Electrical connection via 2 flat pins 3 x 0.5 mm. Housing with ground lug for screw M4 x 8 (TORX).
- UL, CSA, VDE approvals on some models, please contact application engineering.
- Mounting from either face using two 4.3 mm holes.

Part Number	Curve	CFM @ 0	VDC	Volt. Range	Power (W)	dBA	Max Amb. Temp C	Bearing Type	Features	Wgt. (lbs)
6212NM	1	206	12	8 to 15	12.0	50	72	Ball	Terminals	1.75
6224NM	1	206	24	12 to 32	12.0	50	72	Ball	Terminals	1.75
6224N	2	241	24	12 to 28	18.0	55	72	Ball	Terminals	1.75
6224N/2	2	241	24	12 to 28	18.0	55	72	Ball	Terminals	1.75
6224N/12	2	241	24	12 to 28	18.0	55	72	Ball	Terminals	1.75
6224NH	3	283	24	12 to 28	26.0	61	72	Ball	Terminals	1.75
6248NM	1	206	48	28 to 60	12.0	50	72	Ball	Terminals	1.75
6248N	2	241	48	28 to 60	17.0	55	72	Ball	Terminals	1.75
6248N/2	2	241	48	28 to 60	17.0	55	72	Ball	Terminals	1.75
6248N/12	2	241	48	28 to 60	17.0	55	72	Ball	Terminals	1.75



Looking for pricing, stock, or lifecycle information?

Click below to explore more details on WIN SOURCE:

 [View 6224NM on WIN SOURCE](#)

 [ebm-papst Information](#)

Optimize Your Supply Chain with WIN SOURCE Solutions

-  Global Sourcing Solution
-  Obsolete Management
-  Cost Control Management
-  Shortage Management
-  Alternative Solution
-  Excess Inventory Management