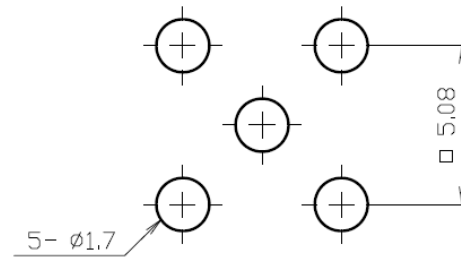
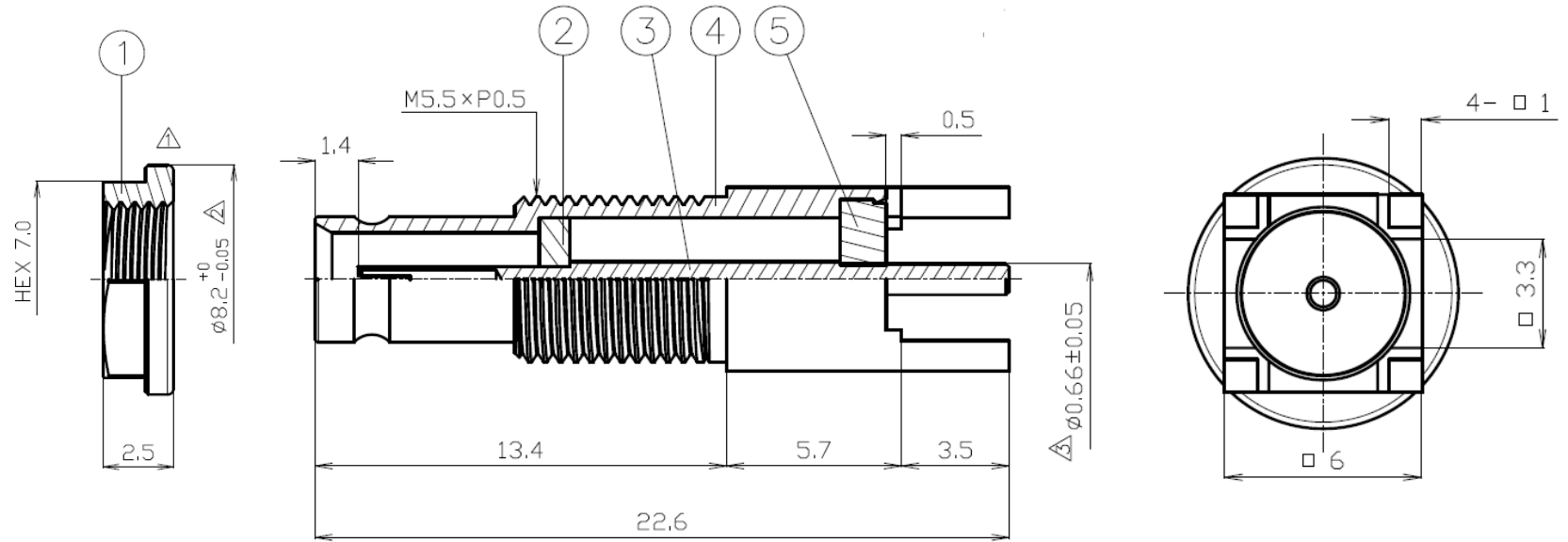


Reference Drawing



Mounting Hole Reference Dimensions

R o H S Compliant $Cd \leq 75ppm$	
REMARKS	BRASS: Cd $\leq 75ppm$ PHOSPHOR BRONZE: Pb $< 4wt\%$

5	INSULATOR B	TEFLON	1	-
4	BODY	BRASS	1	Au
3	CENTER CONTACT	BERYLLIUM COPPER	1	Au
2	INSULATOR A	TEFLON	1	-
1	NUT	BRASS	1	Ni
No.	DESCRIPTION	MATERIAL	Q'TY	FINISH

SCALE
NONE

UNIT
mm

DATE
2025/04/25



TO-CONNE CO.,LTD

PART NUMBER

1.0/2.3-SJ-PCB

Looking for pricing, stock, or lifecycle information?

Click below to explore more details on WIN SOURCE:

 [View 1.0/2.3-SJ-PCB](#) on WIN SOURCE

 [TYCLON](#) Information

Optimize Your Supply Chain with WIN SOURCE Solutions

-  Global Sourcing Solution
-  Obsolete Management
-  Cost Control Management
-  Shortage Management
-  Alternative Solution
-  Excess Inventory Management