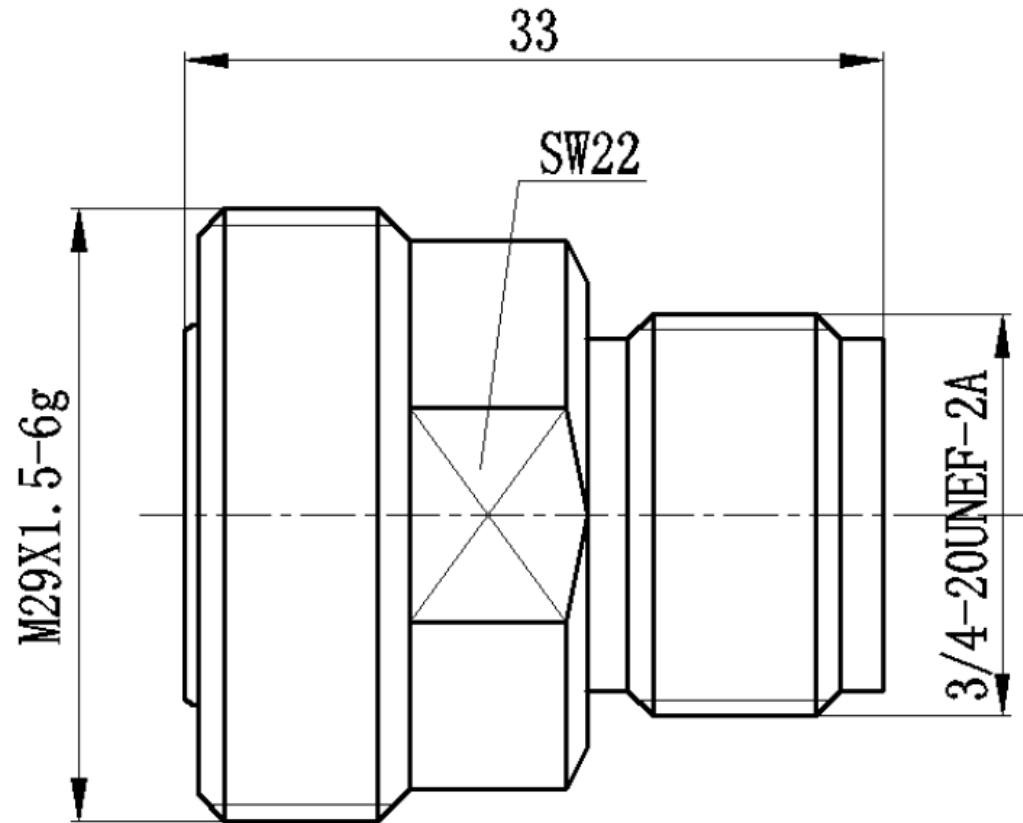


Reference Drawing



Interface

According to IEC 60169-4 HN

Electrical

Characteristic Impedance	50 ohm
Frequency Range	DC-3GHz
VSWR	≤1.10
Insertion Loss	≤0.05* √ fdB
Dielectric Withstanding Voltage	≥2500V RMS,50Hz,at sea level
Dielectric Resistance	≥5000M Ω

Mechanical

Durability Mating cycles ≥500cycles

Material and plating

	Material	plating
Body	Brass	Tri-Alloy
Center conductor	phosphor bronze	Ag
Insulator	PTFE	-

Environmental

Temperature Range	-40℃ ~ +85℃
Rosh-compliance	Full ROHS compliance
Salt-fog test	96h

R o H S Compliant Cd ≤75ppm	
REMARKS	BRASS: Cd ≤75ppm PHOSPHOR BRONZE: Pb <4wt%

SCALE NONE		PART NUMBER 7/16J-HNJ
UNIT mm		
DATE 2025/04/25	PROJECTION 	TO-CONNE CO.,LTD

Looking for pricing, stock, or lifecycle information?

Click below to explore more details on WIN SOURCE:

 [View 7/16J-HNJ on WIN SOURCE](#)

 [TYCLON Information](#)

Optimize Your Supply Chain with WIN SOURCE Solutions

-  Global Sourcing Solution
-  Obsolete Management
-  Cost Control Management
-  Shortage Management
-  Alternative Solution
-  Excess Inventory Management