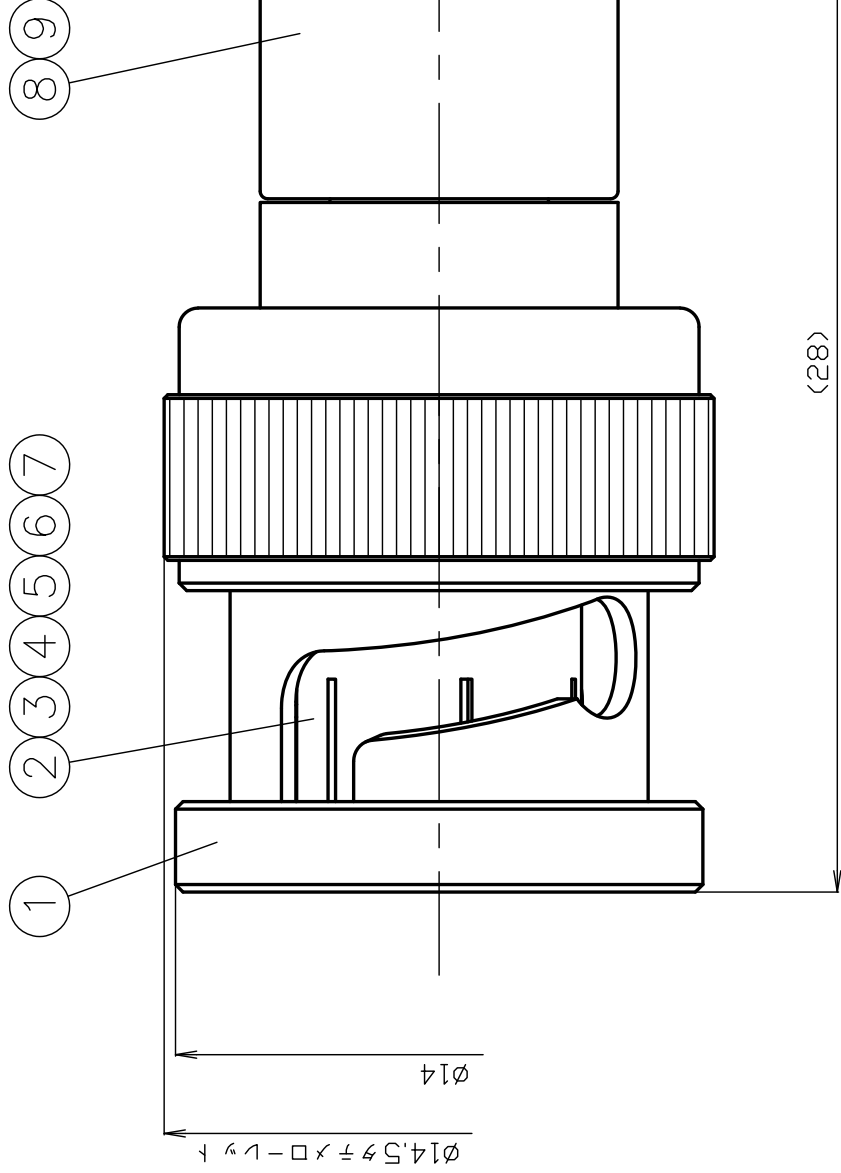




**THE DATASHEET OF  
BNCP50TD3G-1W**





\*1: TERNARY PLATING  
 \*2: PHOSPHOR BRONZE  
 \*3: SPRING STEEL

9	RESISTOR	--	1	--														
8	HEAT SINK	BRASS	1	*1														
7	WASHER	BRASS	1	*1														
6	SPRING	*3	1	Ni														
5	GASKET	SILICONE	1	--														
4	CENTER PIN	*2	1	Au														
3	INSULATOR	PTFE	1	--														
2	BODY	BRASS	1	*1														
1	SHELL	BRASS	1	*1														
NO.	DESCRIPTION	MATERIAL	Q'TY	FINISH	REMARK													

SCALE 5/1  
 UNIT mm  
 DATE 2023.12.14

DRAWN 井出 '23.12.14  
 INSPECTED 檜澤 '23.12.14  
 APPROVED '23.12.14  
 PROJECTION

# PRODUCT SPECIFICATIONS

Part No. BNCP50TD3G-1W

No. 0392367

DWG No. W-0396007

Nominal	1 Standard	MIL-STD-348B
	2 Frequency range	3GHz
	3 Impedance	50Ω
	4 Power handling	1W (Max.)
	5 [OPR]Temp-Range	-40°C~+85°C



		Test Items	Procedures/Test method	Requirements
DESIGN	1	Design & construction	Specified on relevant product drawing (DWG No. W-0396007)	No defects or abnormalities
	2	Materials		
	3	Finishes		
ELECTRICAL	4	V. S. W. R	DC~3GHz	1.2 (Max.)
MECHANICAL	5	Compatibility	Connecting with a standard-compliant connector	No defects or abnormalities
	6	Tensile strength of coupling mechanism	At axial tensile force 445N	No defects or abnormalities

	Remarks	Date
1		
2		
3		

Checked	Approved	Inspected	Prepared
三	山	檜	渡邊
22.02.14	22.02.14	22.02.14	'22.02.14
村	本	澤	直弘

## Looking for pricing, stock, or lifecycle information?

Click below to explore more details on WIN SOURCE:

 [View BNC50TD3G-1W on WIN SOURCE](#)

 [TYCLON Information](#)

## Optimize Your Supply Chain with WIN SOURCE Solutions

-  Global Sourcing Solution
-  Obsolete Management
-  Cost Control Management
-  Shortage Management
-  Alternative Solution
-  Excess Inventory Management