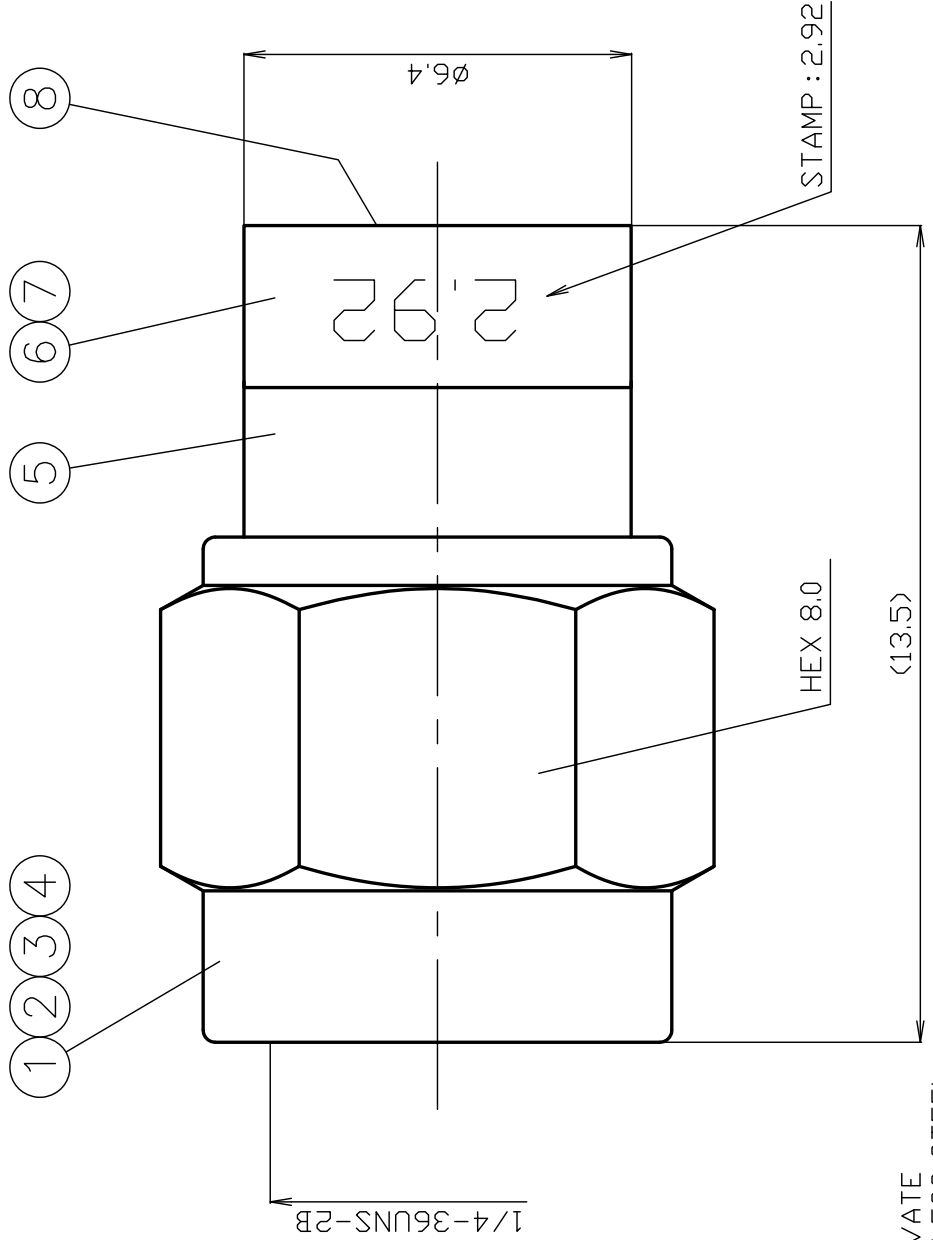




**THE DATASHEET OF
K292P50TD40G-2W**





- *1: PASSIVATE
- *2: STAINLESS STEEL
- *3: BERYLLIUM COPPER

NO.	DESCRIPTION	MATERIAL	Q'TY	FINISH	REMARK
8	STICKER	PET	1	--	
7	BODY B	*2	1	*1	
6	RESISTOR	--	1	--	
5	BODY A	*2	1	Au	
4	INSULATOR	PEI	1	--	
3	CENTER PIN	*3	1	Au	
2	HOLDING RING	*2	1	--	
1	COUPLING NUT	*2	1	*1	

SCALE	8/1
UNIT	mm
DATE	2023.12.15

DRAWN	井出	'24.04.05
INSPECTED	檜澤	'24.04.05
APPR		'24.04.05

PROJECTION	第一角
ISO 9000	株式会社 70-

PRODUCT SPECIFICATIONS

Part No. K292P50TD40G-2W

No. 1012206

DWG No. Y-1015657

Nominal 1 Standard IEC 61169-35
 2 Frequency range 40GHz
 3 Impedance 50Ω
 4 Power handling 2W
 5 [OPR]Temp-Range -40°C~+85°C



	Test Items	Procedures/Test method	Requirements
DESIGN	1 Design & construction	Specified on relevant product drawing (DWG No. Y-1015657)	No defects or abnormalities
	2 Materials		
	3 Finishes		
ELECTRICAL	4 Contact resistance	The method of which, the voltage drop of the contact duration should not exceed 1-kHz AC or 1mV DC	Inner 3mΩ (Max.) Outer 2mΩ (Max.)
	5 V. S. W. R	DC~40GHz	1.3 (Max.)
MECHANICAL	6 Compatibility	Connecting with a standard-compliant connector	No defects or abnormalities
	7 Tensile strength of coupling mechanism	At axial tensile force 270N	No defects or abnormalities
	8 Coupling torque	0.8Nm~1.1Nm	



	Remarks	Date
1		
2		
3		

Checked	Approved	Inspected	Prepared
三 20.06.08 村	山 20.06.08 本	檜 20.06.08 澤	石 20.06.08 川

GKQM-25

Looking for pricing, stock, or lifecycle information?

Click below to explore more details on WIN SOURCE:

-  [View K292P50TD40G-2W on WIN SOURCE](#)
-  [TYCLON Information](#)

Optimize Your Supply Chain with WIN SOURCE Solutions

-  Global Sourcing Solution
-  Obsolete Management
-  Cost Control Management
-  Shortage Management
-  Alternative Solution
-  Excess Inventory Management