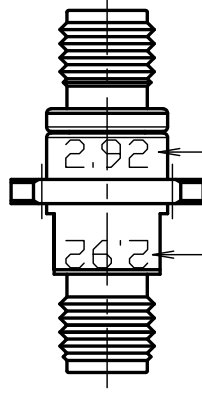




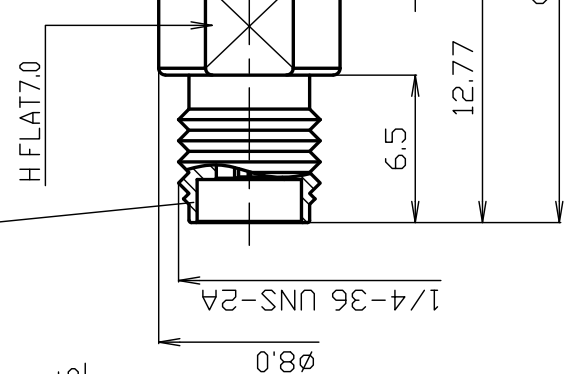
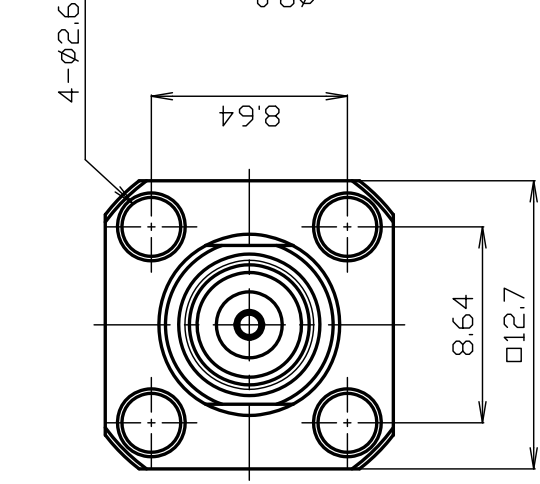
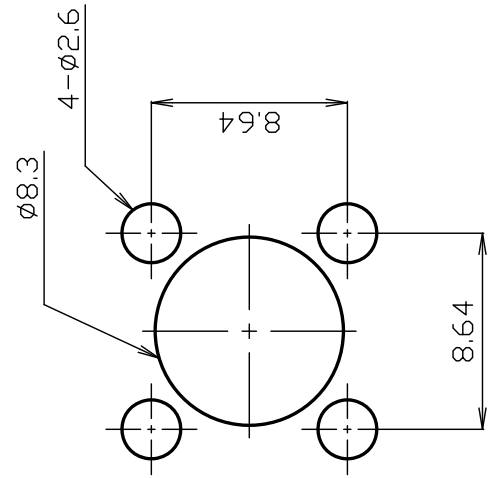
THE DATASHEET OF K292-PA-JJ





STAMP : 2.92

① ③



H.FLAT7.0

MOUNTING HOLE

- *1: PASSIVATE
- *2: STAINLESS STEEL
- *3: BERYLLIUM COPPER

NO.	DESCRIPTION	MATERIAL	Q'TY	FINISH	REMARK	DATE	UNIT	SCALE	DRAWN	INSPECTED	APPR
7								3/1	上	檜	
6									上	澤	
5	PROTECTIVE CAP	PVC	2	--					'24.02.28	'24.02.28	
4	BODY B	*2	1	*1					領		
3	INSULATOR	PEI	1	--							
2	CENTER PIN	*3	1	Au			mm				
1	BODY A	*2	1	*1							
						2024.02.28			PROJECTION		



株式会社 70-

PRODUCT SPECIFICATIONS

Part number : K292-PA-JJ

No. 1042207

Drawing number : K-1045535

Nominal 1 Standard IEC 61169-35
 2 Voltage rating AC 250V
 3 Rated frequency 40GHz
 4 Impedance 50Ω
 5 Operating temprure range -40°C~+85°C



	Test Items	Test Method/Value	Remarks
1	E L E C T R I C A L	Insulation resistance	5000MΩ(Min.) at DC 500V
2		Withstanding voltage	1 minute at AC 750V
3		Contact resistance	Inner conductor : 3mΩ(Max.) Outer conductor : 2mΩ(Max.)
4		V.S.W.R	DC~40GHz : 1.2(Max.)
5	M E C H A N I C A L	Compatibility	No defects or abnormalities Connecting with a standard-compliant connector
6		Tensile strength of coupling mechanism	270N At axial tensile force
7		Center contact retaining force	0.4N(Min.) With a standard pin gauge
8		Durability	500matings
9		Coupling torque	0.8~1.1N·m
10	O T H E R S		
11			

※The structural shape is shown in the attached drawing (Drawing number:K-1045535)



	REVISIONS	DATE
1		
2		
3		

Checked	Approved	Inspected	Prepared
24.02.28	24.02.28	24.02.28	24.02.28
村	本	澤	領

GKQM-24

Looking for pricing, stock, or lifecycle information?

Click below to explore more details on WIN SOURCE:

-  [View K292-PA-JJ on WIN SOURCE](#)
-  [TYCLON Information](#)

Optimize Your Supply Chain with WIN SOURCE Solutions

-  Global Sourcing Solution
-  Obsolete Management
-  Cost Control Management
-  Shortage Management
-  Alternative Solution
-  Excess Inventory Management