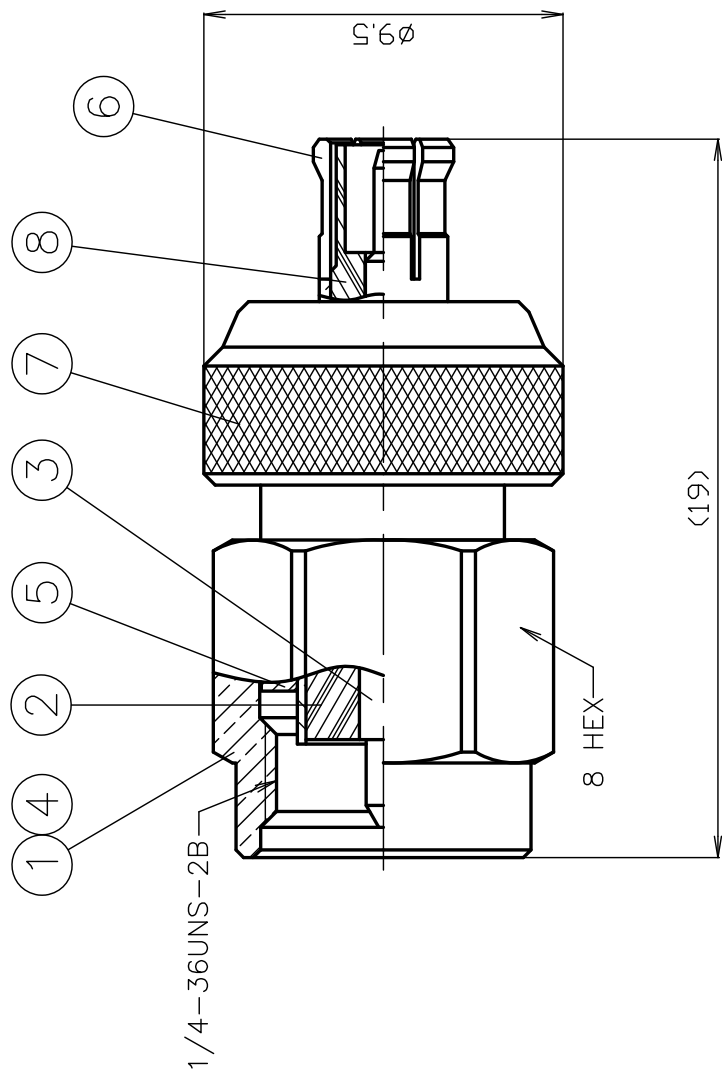




# THE DATASHEET OF MCX-P-SMAP





\*1: BERYLLIUM COPPER  
 \*2: STAINLESS  
 \*3: PASSIVATE

8	INSULATOR B	PTFE	1	--																
7	BODY	BRASS	1	Au					SCALE	5/1										
6	OUTER CONTACT	*1	1	Au																
5	GASKET	SILICONE	1	--																
4	HOLDING RING	*2	1	*3																
3	CENTER PIN	BRASS	1	Au					UNIT	mm										
2	INSULATOR A	PTFE	1	--																
1	COUPLING NUT	BRASS	1	Au					DATE	2023.11.09										
NO.	DESCRIPTION	MATERIAL	Q'TY	FINISH					REMARK											

DRAWN	渡邊 直弘	CHECKED	檜 澤	APPR	'23.11.09
PROJECTION	第一法				

株式会社 70

# PRODUCT SPECIFICATION

Part number: MCX-P-SMAP

No. 0671706

Drawing number: Y-0674561





Nominal 1 Frequency range 6GHz  
 2 Impedance 50Ω  
 3 Operating Temperature Range -40°C~+85°C  
 4 Operating Humidity Range 95%RH(Max.)  
 ※No condensation



Test Items		Test Method/Value	Remarks	
E L E C T R I C A L	1	Insulation Resistance	1000MΩ(Min.) at DC 500V	
	2	Withstand voltage	1 minute at AC 750V	
	3	Contact resistance	Inner conductor:5mΩ (Max.) Outer conductor:2.5mΩ(Max.)	DC 0.2V, At 1A
	4	V.S.W.R	DC~6GHz : 1.2(Max.)	
M E C H A N I C A L	5	Compatibility	No defects or abnormalities	Mating with connector complying with the standard
	6	Force to Engage/Disengage (MCX)	63N(Max.) / 8~20N	
	7	Center contact captivation	26.69N	When axial tensile force is applied
	8	Tensile strength of coupling mechanism (SMA)	180N	When axial tensile force is applied

※The structural shape is shown in the attached drawing (Drawing number:Y-0674561)

REVISIONS	DATE
1	
2	
3	

Checked	Approved	Proof mark	Prepared
 三 23.11.09 村	 山 23.11.09 本	 檜 23.11.09 澤	 渡邊 '23.11.09 直弘

GKQM-7

## Looking for pricing, stock, or lifecycle information?

Click below to explore more details on WIN SOURCE:

- ⊖ [View MCX-P-SMAP on WIN SOURCE](#)
- ⊖ [TYCLON Information](#)

## Optimize Your Supply Chain with WIN SOURCE Solutions

- ✓ Global Sourcing Solution
- ✓ Obsolete Management
- ✓ Cost Control Management
- ✓ Shortage Management
- ✓ Alternative Solution
- ✓ Excess Inventory Management