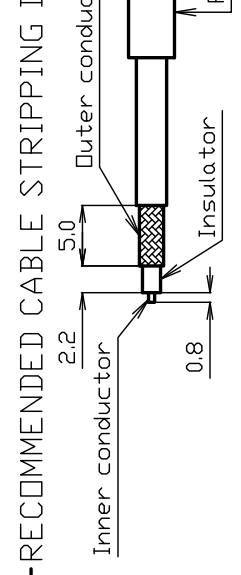
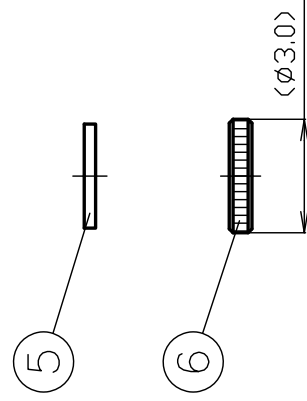
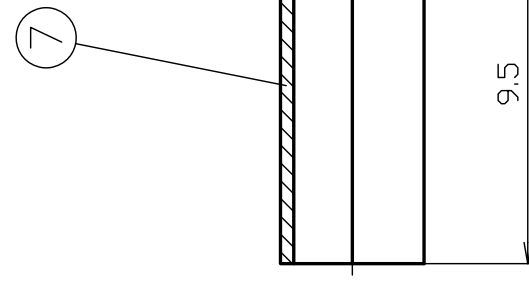
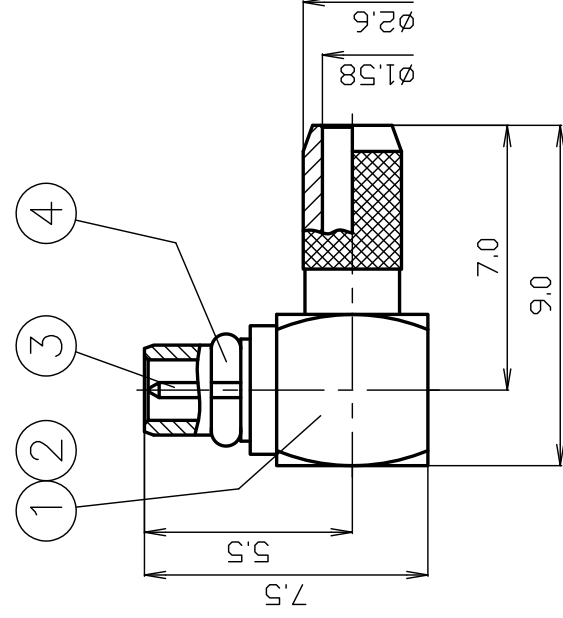




THE DATASHEET OF MMCX-LP-316





| | | | | | | | | | | | | | | |
|----|---------|----|----|----|----|----|------------|----|----|-----------|----|----|---|-----------|
| 7 | 圧着スリーブ | | 1 | Au | | 尺度 | 5 / 1 | 製図 | 井出 | '23,12,23 | 検図 | 榎澤 | 承 | '23,12,23 |
| 6 | カバ- | 黄銅 | 1 | Au | | 単位 | mm | 製図 | 井出 | '23,12,23 | 検図 | 榎澤 | 承 | '23,12,23 |
| 5 | 絶縁体B | 黄銅 | 1 | Au | | 日付 | 2016.03.07 | 製図 | 井出 | '23,12,23 | 検図 | 榎澤 | 承 | '23,12,23 |
| 4 | Cリング | 黄銅 | 1 | Au | | 備考 | | 製図 | 井出 | '23,12,23 | 検図 | 榎澤 | 承 | '23,12,23 |
| 3 | 中心コンタクト | 黄銅 | 1 | Au | | | | 製図 | 井出 | '23,12,23 | 検図 | 榎澤 | 承 | '23,12,23 |
| 2 | 絶縁体A | 黄銅 | 1 | Au | | | | 製図 | 井出 | '23,12,23 | 検図 | 榎澤 | 承 | '23,12,23 |
| 1 | 本体 | 黄銅 | 1 | Au | | | | 製図 | 井出 | '23,12,23 | 検図 | 榎澤 | 承 | '23,12,23 |
| 番号 | 部品名 | 材質 | 数量 | 処理 | 備考 | | | | | | | | | |



株式会社
70-

PRODUCT SPECIFICATIONS

Part No. MMCX-LP-316

No. 1011779

DWG No. Y-1014730

To-Conne Co., Ltd. (TYO)

Nominal 1 Frequency range 6 GHz
 2 Impedance 50Ω

| | | |
|--------------------|--------------------|--------------------|
| Checked | Inspected | Prepared |
| 山 16.03.08 本 | 檜 16.03.08 澤 | 栗 16.03.08 原 |


| | | Test Items | Procedures/Test method | Requirements |
|----|------------|---------------------------|---|--|
| 1 | DESIGN | Design & construction | Specified on relevant product drawing (DWG No. Y-1014730) | No defects or abnormalities |
| 2 | | Materials | | |
| 3 | | Finishes | | |
| 4 | ELECTRICAL | Insulation Resistance | DC 500V | 1000MΩ (Min.) |
| 5 | | Withstanding voltage | DC 500V (1 minute.) | No defects or abnormalities |
| 6 | | Contact resistance | DC 0.2V、 1A | Inner 5mΩ (Max.) Outer 2.5mΩ (Max.) |
| 7 | | V. S. W. R | 0~3.0GHz | 1.25 (Max.) |
| 8 | MECHANICAL | Compatibility | Connecting with a standard-compliant connector | No defects or abnormalities |
| 9 | | Force to engage/disengage | Force to engage 6.3N (Min.) 36N (Max.) Force to disengage 6.3N (Min.) 36N (Max.) | No defects or abnormalities |
| 10 | | Cable tensile strength | At axial tensile force 44.48N (Min.) | No defects or abnormalities |
| 11 | | Center contact capivation | At axial tensile force 10.2N (Min.) | No defects or abnormalities |
| 12 | | Cable group | RG-316/U | |
| | | | | |

GKQM-19-1

| | Remarks | Date |
|---|---------|------|
| 1 | | |
| 2 | | |
| 3 | | |

Looking for pricing, stock, or lifecycle information?

Click below to explore more details on WIN SOURCE:

 [View MMCX-LP-316 on WIN SOURCE](#)

 [TYCLON Information](#)

Optimize Your Supply Chain with WIN SOURCE Solutions

-  Global Sourcing Solution
-  Obsolete Management
-  Cost Control Management
-  Shortage Management
-  Alternative Solution
-  Excess Inventory Management