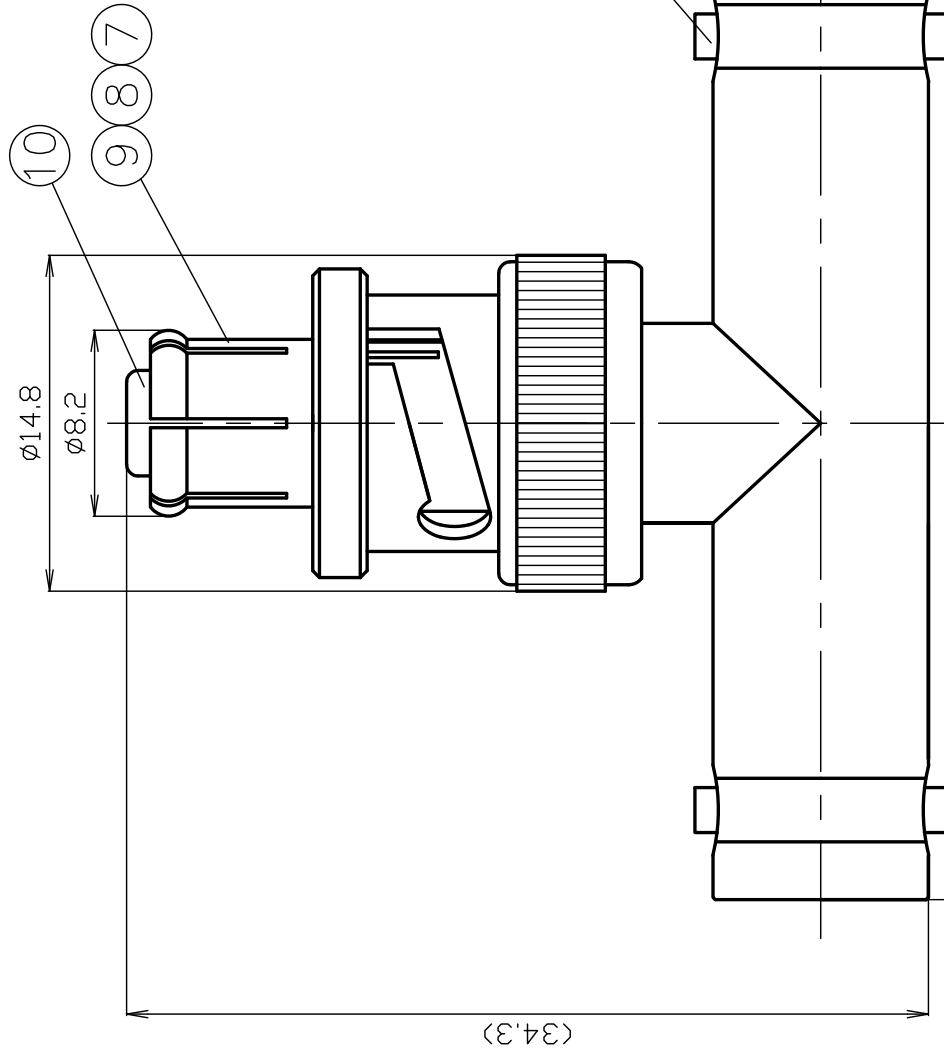




# THE DATASHEET OF SHV-TA-JPJ





\*1: PHOSPHOR BRONZE  
 \*2: BERYLLIUM COPPER

10	INSULATOR B	PTFE	1	--
9	BODY B	BRASS	1	Ni
8	SHELL	BRASS	1	Ni
7	GASKET	SILICONE	1	--
6	WAVE WASHER	*2	3	Ni
5	HALF FLAT WASHER	BRASS	2	Ni
4	CENTER PIN B	*1	1	Au
3	BODY A	BRASS	1	Ni
2	INSULATOR A	PTFE	1	--
1	CENTER PIN A	BRASS	1	Au
NO.	DESCRIPTION	MATERIAL	Q'TY	FINISH
				REMARK

SCALE 3/1  
 UNIT mm  
 DATE 2024.08.07

DRAWN	渡邊 直弘	'24.08.07
INSPECTED	檜 澤	'24.08.07
APPR		'24.08.07
PROJECTION	第一角	ISO
		70-

■ Part number : SHV-TA-JPJ

■ Drawing number : Y-1091621

■ Nominal

Standard : MIL-C-39012

Voltage rating : AC 3500V

Rated frequency : Not applicable

Impedance : Mismatch

Operating temperature range : -40°C~+85°C

Operating humidity range : 95%(Max.) ※No condensation

■ Structural shape : Conformity with the drawings.

■ Electrical

Test Items	Test Method/Value	Remarks
Insulation resistance	1000MΩ (Min.) at DC 500V	
Withstanding voltage	1 minute at AC 5000V	
Contact resistance	Inner conductor : 3.0mΩ (Max.)	

■ Mechanical

Test Items	Test Method/Value	Remarks
Compatibility	No defects or abnormalities	Connecting with a standard compliant connector
Tensile strength of coupling mechanism	250N 250cN·m	At axial tensile force Torque applied to shell
Center contact retaining force	0.56N (Min.)	With a standard pin gauge



■ Revisions

No.	Date	Contents
1		
2		

Date	Name
2024/8/7	渡邊 (直) (Checked)
2024/8/7	檜澤 (Approved)
2024/8/7	山本 (Inspected)
2024/8/7	三村 (Prepared)

## Looking for pricing, stock, or lifecycle information?

Click below to explore more details on WIN SOURCE:

-  [View SHV-TA-JPJ on WIN SOURCE](#)
-  [TYCLON Information](#)

## Optimize Your Supply Chain with WIN SOURCE Solutions

-  Global Sourcing Solution
-  Obsolete Management
-  Cost Control Management
-  Shortage Management
-  Alternative Solution
-  Excess Inventory Management