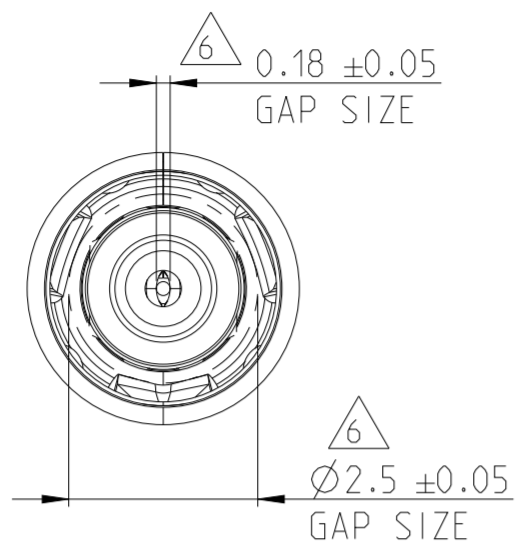




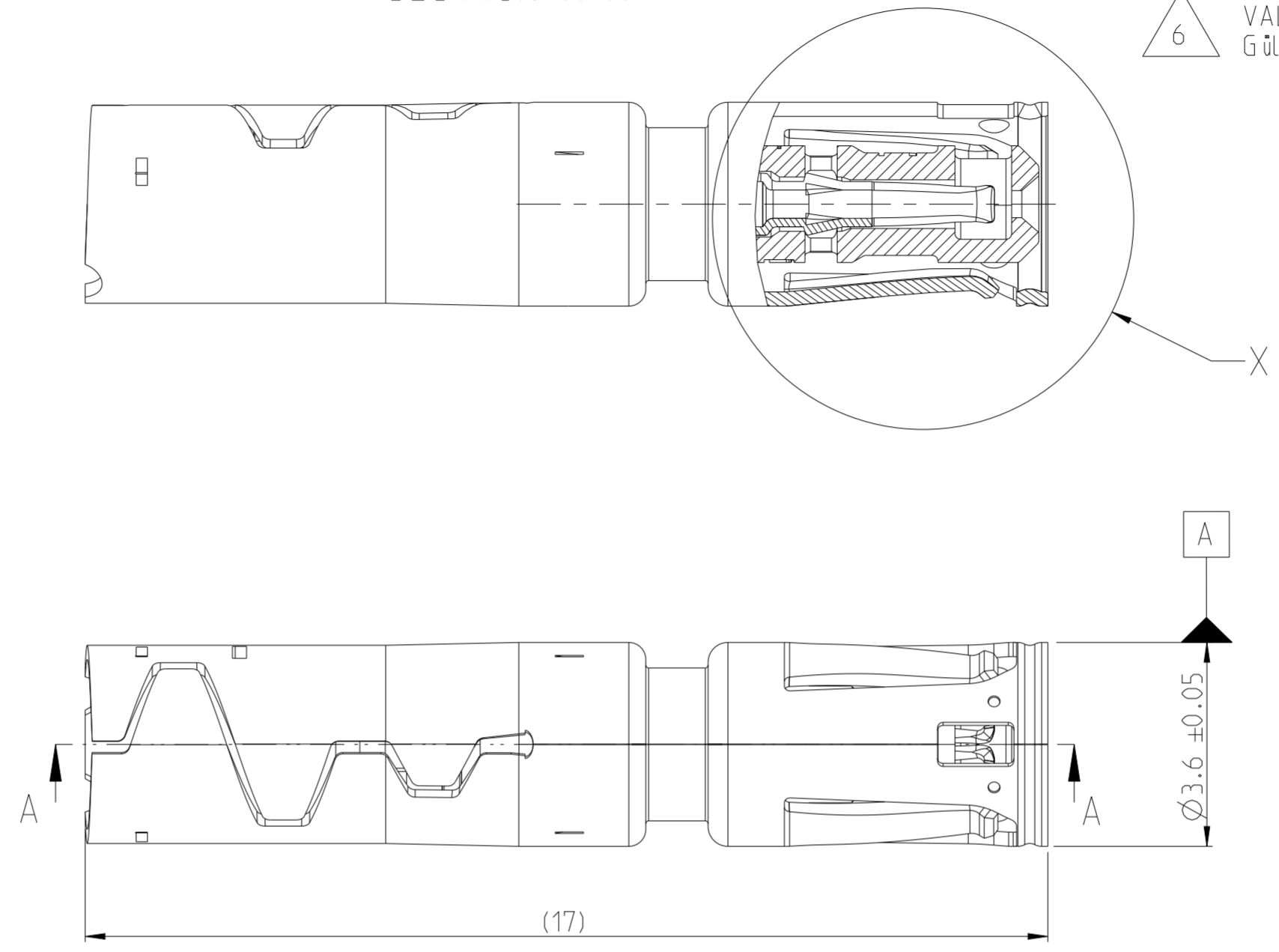
THE DATASHEET OF
2298126-1



REVISIONS				
P	LTR	DESCRIPTION	DATE	APVD
-	-	SEE SHEET 1	-	-

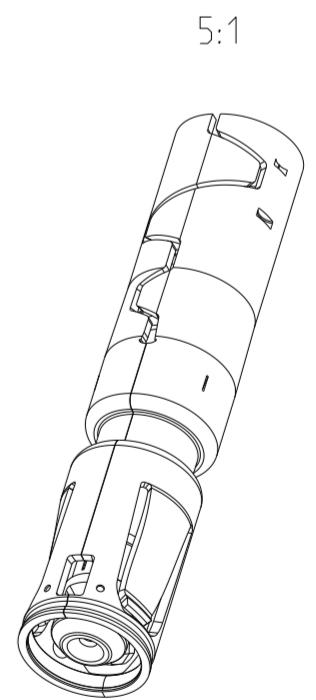
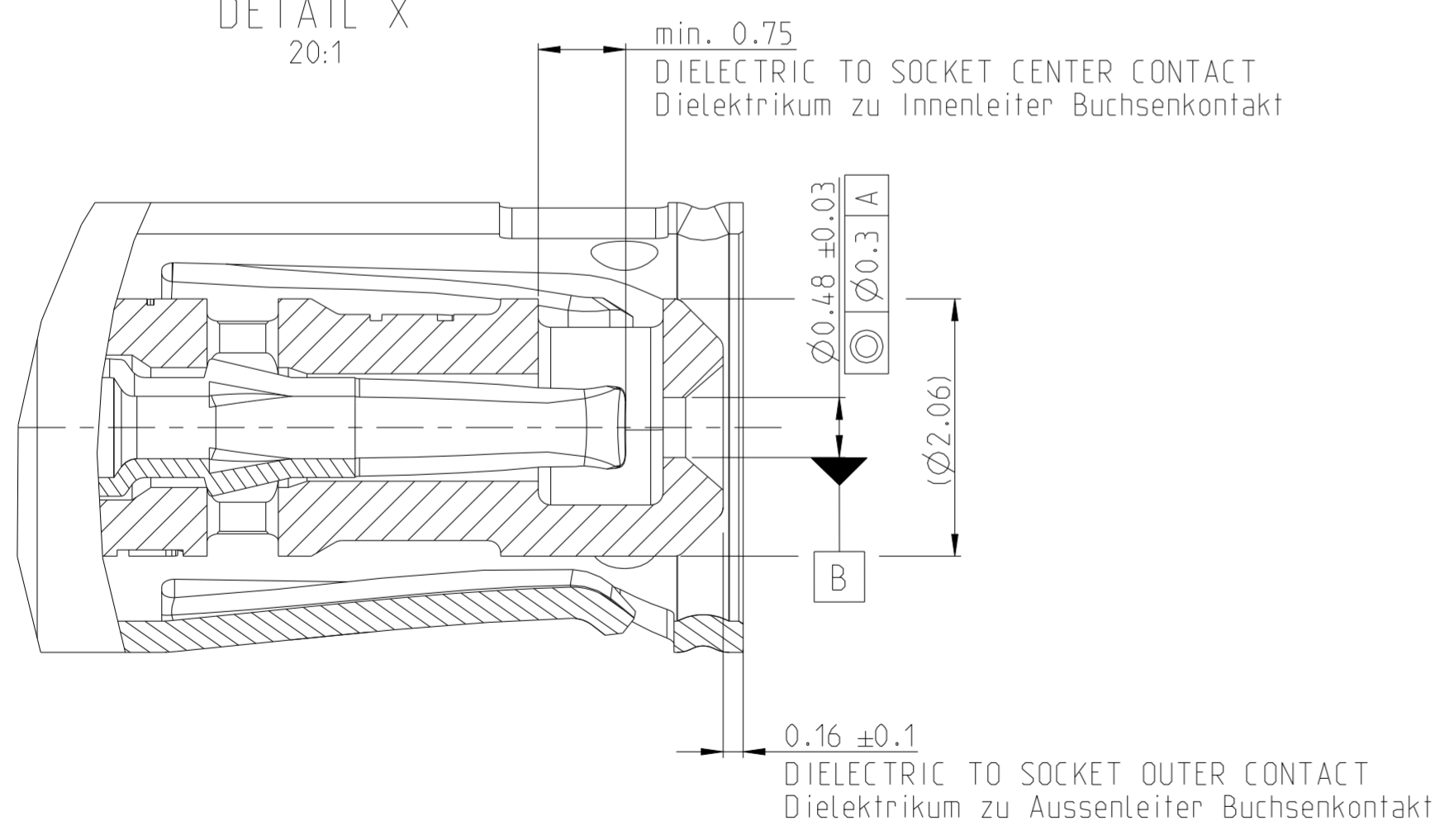


SECTION A-A



6 VALID WHEN CHECKING THE GAP SIZES ON FINAL PRODUCT
 Gültig bei Überprüfung des Spaltmaßes nach Konfektion

DETAIL X
20:1



THIS DRAWING IS A CONTROLLED DOCUMENT.		DWN L. Nguyen 03MAR2016	TE Connectivity	
DIMENSIONS: mm		CHK Olivier De Cloet 03MAR2016		
TOLERANCES UNLESS OTHERWISE SPECIFIED:		APVD C. Schrettlinger 03MAR2016	NAME MATE-AX 180DEG SOCKET CONT. ASSY MATE-AX 180Grad Buchsenk., Assy CABLE RTK031	
0 PLC ±0.2 1 PLC ±0.2 2 PLC ±0.2 3 PLC ± 4 PLC ± ANGLES ±° FINISH -		PRODUCT SPEC 108-94515	SIZE A2	CAGE CODE 00779
MATERIAL -		APPLICATION SPEC 114-94413	DRAWING NO C-2298488	RESTRICTED TO -
-		WEIGHT -	SCALE 10:1 SHEET 2 OF 2 REV C6	
-		CUSTOMER DRAWING		

Looking for pricing, stock, or lifecycle information?

Click below to explore more details on WIN SOURCE:

 [View 2298126-1](#) on WIN SOURCE

 [TE Connectivity](#) Information

Optimize Your Supply Chain with WIN SOURCE Solutions

-  Global Sourcing Solution
-  Obsolete Management
-  Cost Control Management
-  Shortage Management
-  Alternative Solution
-  Excess Inventory Management