



**THE DATASHEET OF
GT13SH-2/1S-HU**



Features

1. One-Step Crimping for Both Internal & External Conductors

The cable assembly process avoids contact with the internal conductor, ensuring consistent positioning that is independent of the assembler's skill level. This method promotes stable assembly quality and reduces harnessing time.

2. More Compact and Lightweight Compared to the HRS GT5 Series.

3. Frequency Range : up to 1GHz

Applications

For car TV, radio antenna, etc.

Product Specifications

Rated Current	Signal : 1A Power : 3A	Operating Temperature (Note)	-30 to +105°C
Rated Voltage	250V DC		

Items	Specifications	Conditions
Contact Resistance	30m Ω Max.	Measured at 1A DC
Insulation Resistance	100M Ω Min.	Measured at 500V DC
Withstanding Voltage	No insulation breakdown	650V AC for 1 min.
Mating Durability	Contact Resistance : 60m Ω Max.	30 Insertion/Extraction cycles

Note : Includes the temperature rise due to current flow.

Mating Combinations

● GT13S

No. of Pos.	Color	Mating Key	Receptacle	Plug	In-line Jack
Coaxial 1 pos.	Light Gray	Standard	GT13S-1PP-DS	GT13S-1S-HU	GT13S-1PP-HU
	Brown	A Key	—	GT13S-1S-HU(A)	GT13S-1PP-HU(A)
	Black	Standard	—	GT13SN-1S-HU	GT13SN-1PP-HU
Coaxial 1 pos. × 4 port	Light Gray	Standard	GT13S-1/1/1/1PP-DS	GT13S-1S-HU	GT13S-1PP-HU

● GT13SC

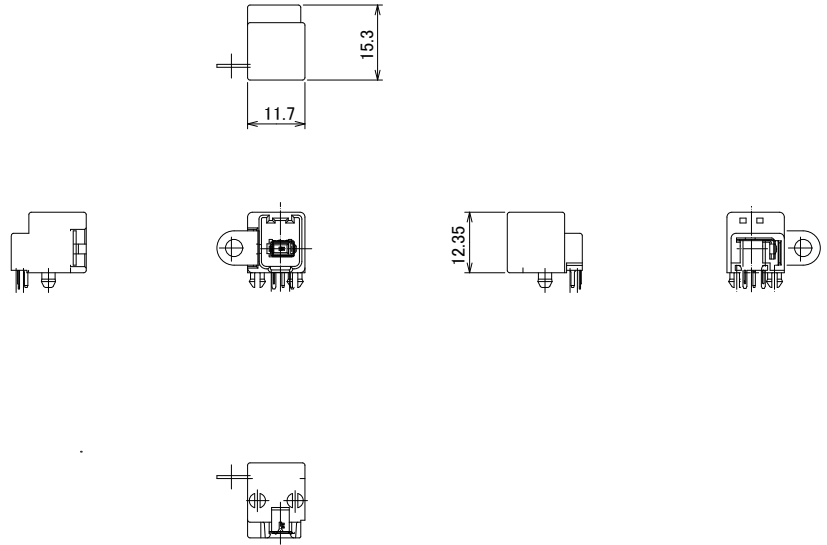
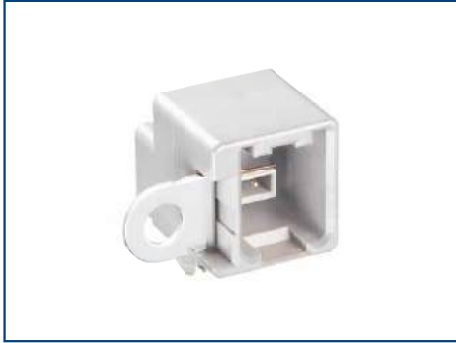
No. of Pos.	Color	Mating Key	Receptacle	Plug	In-line Jack
Coaxial 1 pos. + Power 1 pos.	Light Gray	Standard	GT13SC-1/1PP-DS(70)	GT13SC-1/1S-HU	GT13SCN-1/1PP-HU
	Light Gray	Standard	—	GT13SS-1/1S-HU	GT13SSN-1/1PP-HU
Coaxial 2 pos.	Light Gray	Standard	—	GT13SC-2S-HU	GT13SCN-2PP-HU
Coaxial 2 pos. + Power 1 pos.	Light Gray	Standard	—	GT13SC-2/1S-HU	GT13SCN-2/1PP-HU
Coaxial 4 pos. + Power 1 pos.	Light Gray	Standard	GT13SC-4/1PP-DS(70)	GT13SC-4/1S-HU	GT13SCH-4/1PP-HU
	Brown	A Key	GT13SC-4/1PP-DS(A)(70)	GT13SC-4/1S-HU(A)	—

● GT13SH

No. of Pos.	Color	Mating Key	Receptacle	Plug	In-line Jack
Coaxial 1 pos.	Light Gray	Standard	GT13SHA-1PP-DS	GT13S-1S-HU	GT13S-1PP-HU
Coaxial 1 pos. + Power 1 pos.	Light Gray	Standard	GT13SH-1/1PP-DS	GT13SH-1/1S-HU	GT13SH-1/1PP-HU
	Light Gray	Standard	GT13SHA-1/1PP-DS		GT13SHN-1/1PP-HU
Coaxial 2 pos. + Power 1 pos.	Light Gray	Standard	GT13SHA-2/1PP-DS	GT13SH-2/1S-HU	GT13SH-2/1PP-HU
	Light Gray	Standard	GT13SHB-2/1P-DS	GT13SHB-2/1S-HU	—

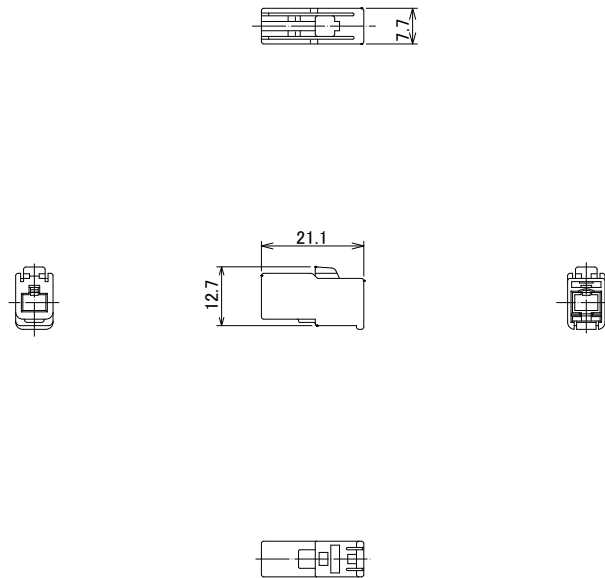
GT13S / Coaxial 1 pos.

Receptacle



Part No.	HRS No.	Material / Finish	Color	Mating Key	Purchase Unit
GT13S-1PP-DS	CL0763-0027-7-00	Housing : PBT Center Terminal : Copper Alloy / Tin Plating Outer Terminal : Copper Alloy / Tin Plating Bracket Hardware : Copper Alloy / Tin Plating	Light Gray	Standard	120pcs per tray

Plug

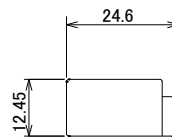
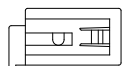
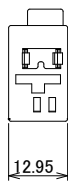


Part No.	HRS No.	Material	Color	Mating Key	Purchase Unit
GT13S-1S-HU	CL0763-0024-9-00	PBT	Light Gray	Standard	100pcs per bag
GT13S-1S-HU(A)	CL0763-0025-1-00		Brown	A Key	
GT13SN-1S-HU	CL0763-0044-0-00		Black	Standard	

Note 1 : Compatible coaxial terminals are GT13-2428/1.6-2.9SCF(55), GT13-30/1.6-2.9SCF(55), GT13-2428/F4-5SCF(55), GT13-30/F4-5SCF(55), GT13L-2428/1.1-2.2SCF(55), GT13L-2428/1.6-2.9SCF(55) and GT13L-30/1.6-2.9SCF(55).

Note 2 : Use with the retainer (GT13S-1P/S-R), sold separately.

In-line Jack

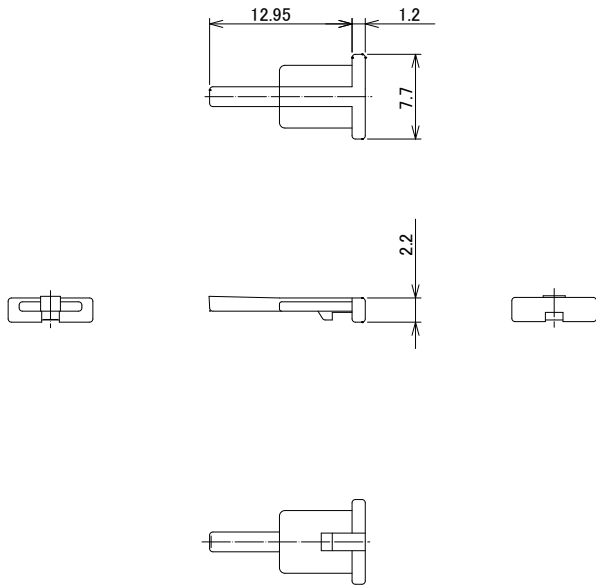


(Example of product appearance.)

Part No.	HRS No.	Material / Finish	Color	Mating Key	Remarks	Purchase Unit
GT13S-1PP-HU	CL0763-0030-1-00	Housing : PBT Ground Terminal : Copper Alloy / Tin Plating	Light Gray	Standard	-	100pcs per bag
GT13S-1PP-HU(A)	CL0763-0031-4-00		Brown	A Key		
GT13SN-1PP-HU	CL0763-0006-0-00	Housing : PBT	Black	Standard	Bracket N Type Ground Terminal : None	

Note 1 : Compatible coaxial terminals are GT13-2428/1.6-2.9PCF(70), GT13-30/1.6-2.9PCF(70), GT13-2428/F4-5PCF(70) and GT13-30/F4-5PCF(70).
 Note 2 : Use with the retainer (GT13S-1P/S-R), sold separately.

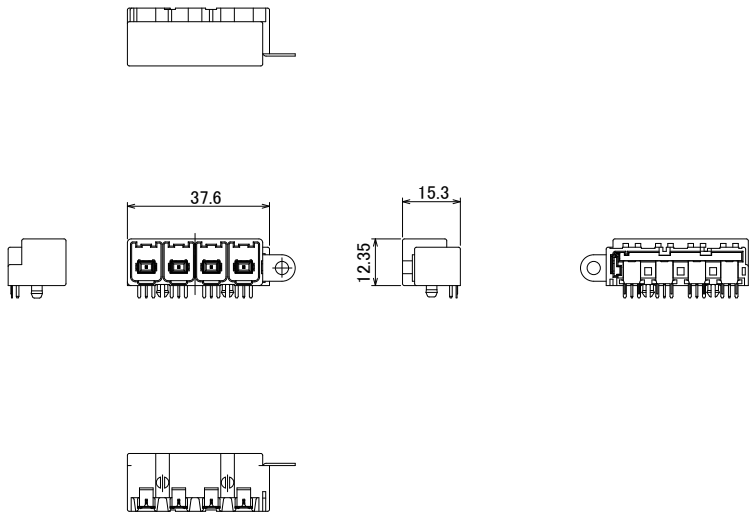
Retainer



Part No.	HRS No.	Material	Color	Purchase Unit
GT13S-1P/S-R	CL0763-0033-0-00	PBT	Dark Gray	100pcs per bag

Note : Attach to the plug (GT13S-1S-HU(#), GT13SN-1S-HU) or in-line jack (GT13S-1PP-HU(#), GT13SN-1PP-HU), sold separately.

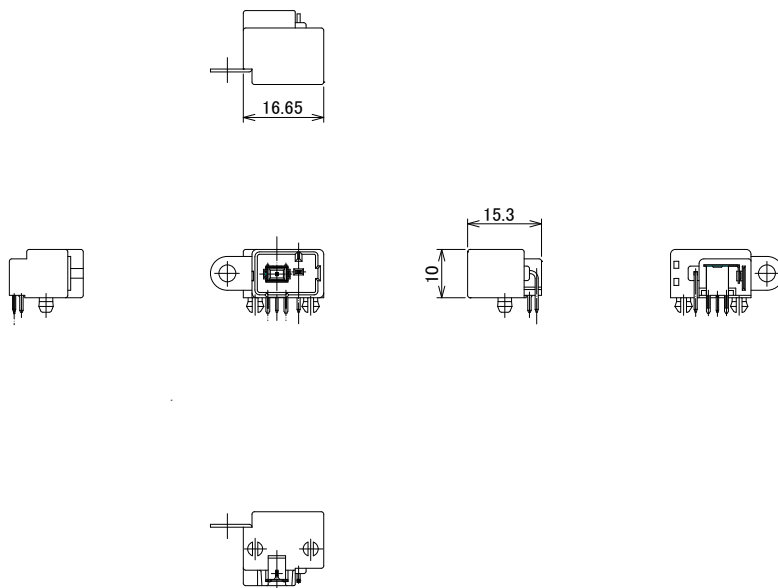
Receptacle / Coaxial 1 pos. × 4 port



Part No.	HRS No.	Material / Finish	Color	Mating Key	Purchase Unit
GT13S-1/1/1/1PP-DS	CL0763-0117-8-00	Housing : PBT Center Terminal : Copper Alloy / Tin Plating Outer Terminal : Copper Alloy / Tin Plating Bracket Hardware : Copper Alloy / Tin Plating	Light Gray	Standard	48pcs per tray

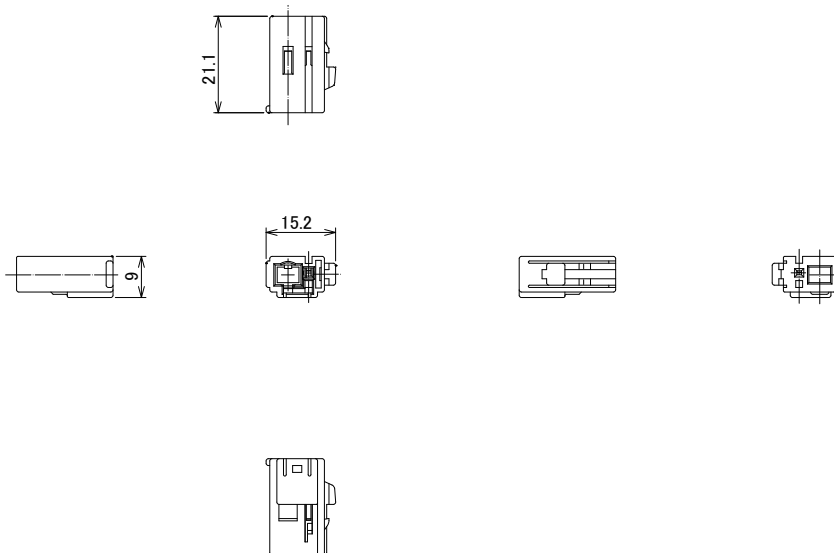
GT13SC / Coaxial 1 pos. + Power 1 pos.

Receptacle



Part No.	HRS No.	Material / Finish	Color	Mating Key	Purchase Unit
GT13SC-1/1PP-DS(70)	CL0763-0009-5-70	Housing : PBT Center Terminal : Copper Alloy / Tin Plating Outer Terminal : Copper Alloy / Tin Plating Power Terminal : Copper Alloy / Tin Plating Bracket Hardware : Copper Alloy / Tin Plating	Light Gray	Standard	50pcs per tray

Plug



Part No.	HRS No.	Material	Color	Mating Key	Purchase Unit
GT13SC-1/1S-HU	CL0763-0010-4-00	PBT	Light Gray	Standard	100pcs per bag

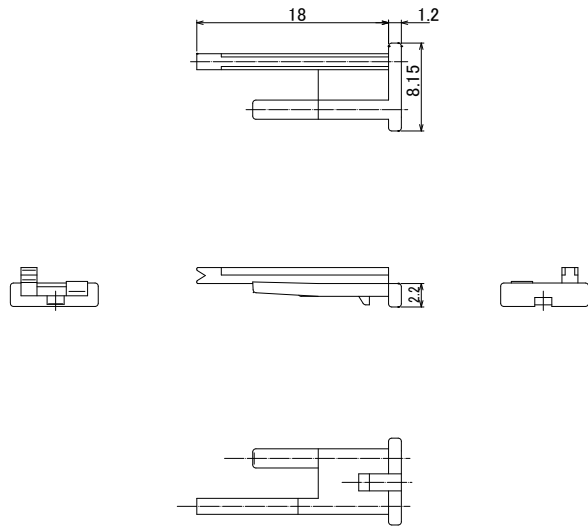
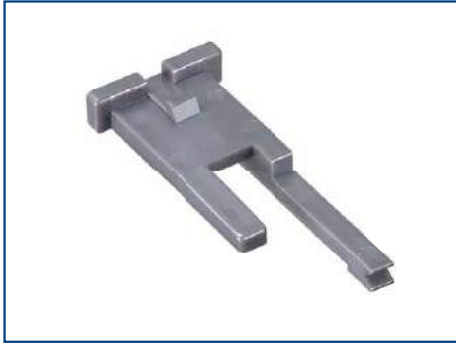
Note 1 : Compatible coaxial terminals are GT13-2428/1.6-2.9SCF(55), GT13-30/1.6-2.9SCF(55), GT13-2428/F4-5SCF(55), GT13-30/F4-5SCF(55), GT13L-2428/1.1-2.2SCF(55), GT13L-2428/1.6-2.9SCF(55) and GT13L-30/1.6-2.9SCF(55).

Note 2 : Compatible power terminal is GT10A-2022SCF.

Note 3 : Use with the retainer (GT13SC-1/1S-R), sold separately.

Feb. 1. 2025 Copyright 2025 HIROSE ELECTRIC CO., LTD. All Rights Reserved.

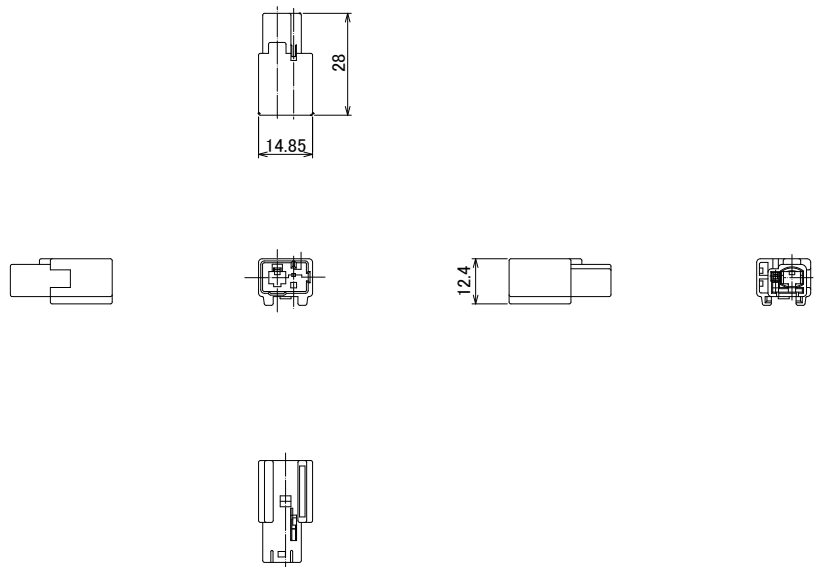
Retainer



Part No.	HRS No.	Material	Color	Purchase Unit
GT13SC-1/1S-R	CL0763-0011-7-00	PBT	Dark Gray	100pcs per bag

Note : Attach to the plug (GT13SC-1/1S-HU), sold separately.

In-line Jack



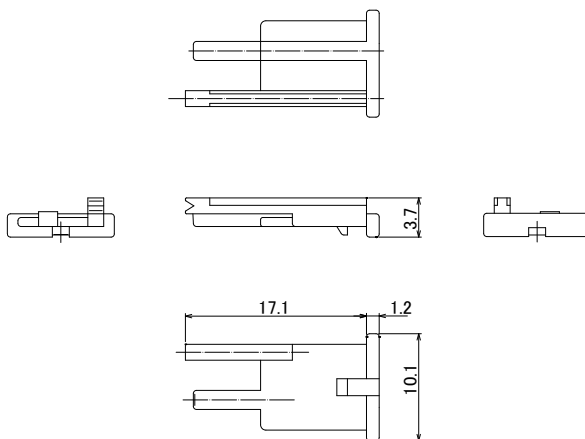
Part No.	HRS No.	Material	Color	Mating Key	Purchase Unit
GT13SCN-1/1PP-HU	CL0763-0036-8-00	PBT	Light Gray	Standard	100pcs per bag

Note 1 : Compatible coaxial terminals are GT13-2428/1.6-2.9PCF(70), GT13-30/1.6-2.9PCF(70), GT13-2428/F4-5PCF(70) and GT13-30/F4-5PCF(70).

Note 2 : Compatible power terminals are GT10SC-2022PCF and GT10A-2022PCF.

Note 3 : Use with the retainer (GT13SC-1/1P-R), sold separately.

Retainer

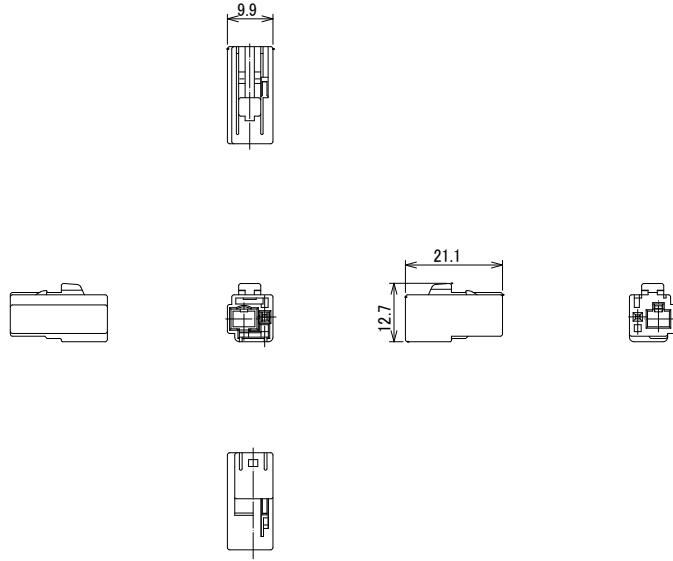


Part No.	HRS No.	Material	Color	Purchase Unit
GT13SC-1/1P-R	CL0763-0039-6-00	PBT	Dark Gray	100pcs per bag

Note : Attach to the in-line jack (GT13SCN-1/1PP-HU), sold separately.

GT13SS / Coaxial 1 pos. + Power 1 pos.

Plug



Part No.	HRS No.	Material	Color	Mating Key	Purchase Unit
GT13SS-1/1S-HU	CL0763-0093-1-00	PBT	Light Gray	Standard	100pcs per bag

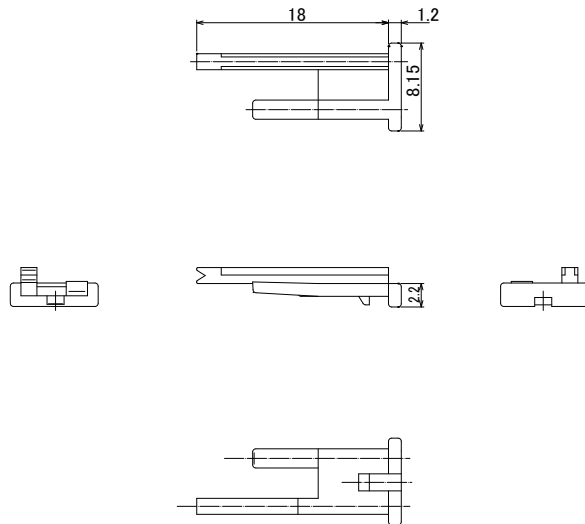
Note 1 : Compatible coaxial terminals are GT13-2428/1.6-2.9SCF(55), GT13-30/1.6-2.9SCF(55), GT13-2428/F4-5SCF(55), GT13-30/F4-5SCF(55), GT13L-2428/1.1-2.2SCF(55), GT13L-2428/1.6-2.9SCF(55) and GT13L-30/1.6-2.9SCF(55).

Note 2 : Compatible power terminal is GT10A-2022SCF.

Note 3 : Use with the retainer (GT13SC-1/1S-R), sold separately.

Note 4 : The mating in-line jack is GT13SSN-1/1PP-HU.

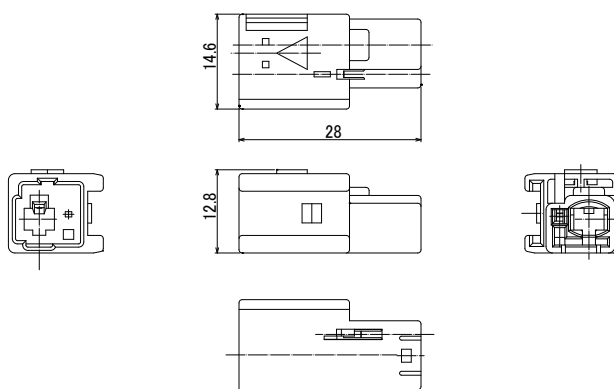
Retainer



Part No.	HRS No.	Material	Color	Purchase Unit
GT13SC-1/1S-R	CL0763-0011-7-00	PBT	Dark Gray	100pcs per bag

Note : Attach to the plug (GT13SS-1/1S-HU), sold separately.

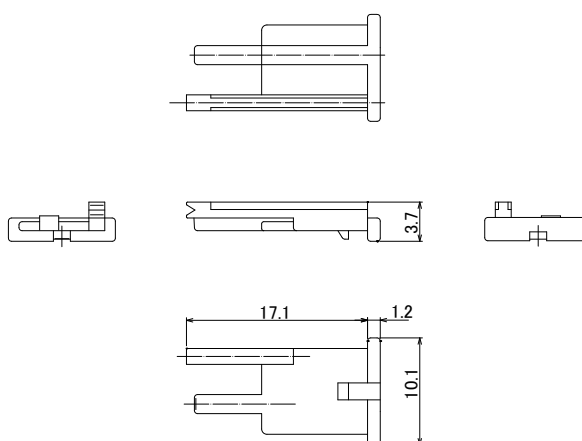
In-line Jack



Part No.	HRS No.	Material	Color	Mating Key	Purchase Unit
GT13SSN-1/1PP-HU	CL0763-0092-9-00	PBT	Light Gray	Standard	100pcs per bag

Note 1 : Compatible coaxial terminals are GT13-2428/1.6-2.9PCF(70), GT13-30/1.6-2.9PCF(70), GT13-2428/F4-5PCF(70) and GT13-30/F4-5PCF(70).
 Note 2 : Compatible power terminals are GT10SC-2022PCF and GT10A-2022PCF.
 Note 3 : Use with the retainer (GT13SC-1/1P-R), sold separately.
 Note 4 : The mating plug is GT13SS-1/1S-HU.

Retainer

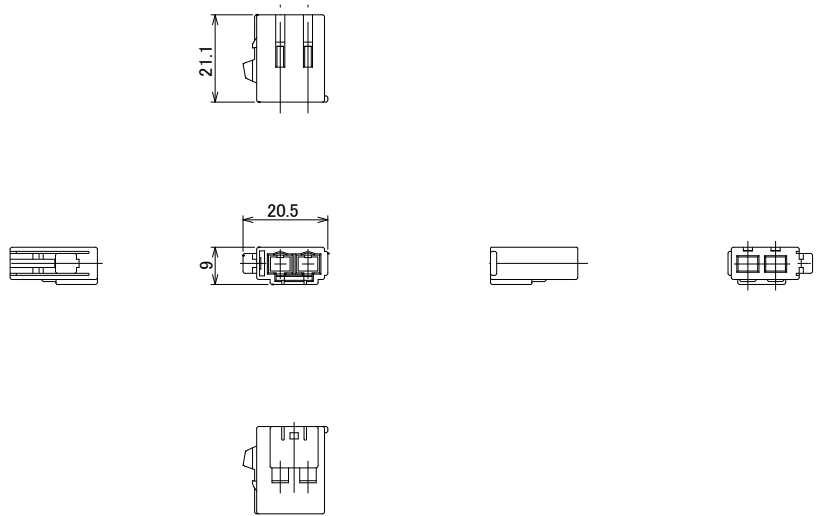


Part No.	HRS No.	Material	Color	Purchase Unit
GT13SC-1/1P-R	CL0763-0039-6-00	PBT	Dark Gray	100pcs per bag

Note : Attach to the in-line jack (GT13SSN-1/1PP-HU), sold separately.

GT13SC / Coaxial 2 pos.

Plug

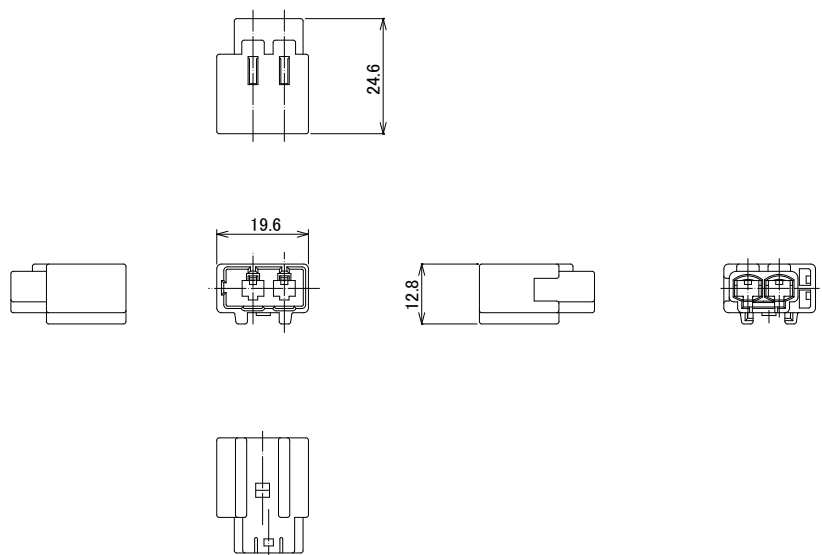


Part No.	HRS No.	Material	Color	Mating Key	Purchase Unit
GT13SC-2S-HU	CL0763-0014-5-00	PBT	Light Gray	Standard	100pcs per bag

Note 1 : Compatible coaxial terminals are GT13-2428/1.6-2.9SCF(55), GT13-30/1.6-2.9SCF(55), GT13-2428/F4-5SCF(55), GT13-30/F4-5SCF(55), GT13L-2428/1.1-2.2SCF(55), GT13L-2428/1.6-2.9SCF(55) and GT13L-30/1.6-2.9SCF(55).

Note 2 : Use with the retainer (GT13SC-2S-R), sold separately.

In-line Jack

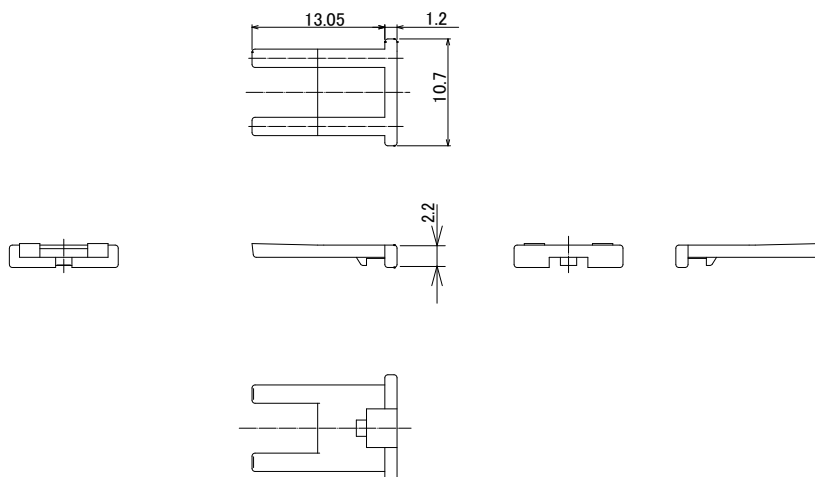


Part No.	HRS No.	Material	Color	Mating Key	Purchase Unit
GT13SCN-2PP-HU	CL0763-0046-1-00	PBT	Light Gray	Standard	100pcs per bag

Note 1 : Compatible coaxial terminals are GT13-2428/1.6-2.9PCF(70), GT13-30/1.6-2.9PCF(70), GT13-2428/F4-5PCF(70) and GT13-30/F4-5PCF(70).

Note 2 : Use with the retainer (GT13SC-2S-R), sold separately.

Retainer

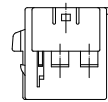
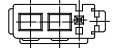
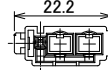
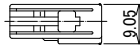
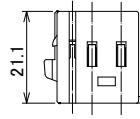


Part No.	HRS No.	Material	Color	Purchase Unit
GT13SC-2S-R	CL0763-0015-8-00	PBT	Dark Gray	100pcs per bag

Note : Attach to the plug (GT13SC-2S-HU) or in-line jack (GT13SCN-2PP-HU), sold separately.

GT13SC / Coaxial 2 pos. + Power 1 pos.

Plug



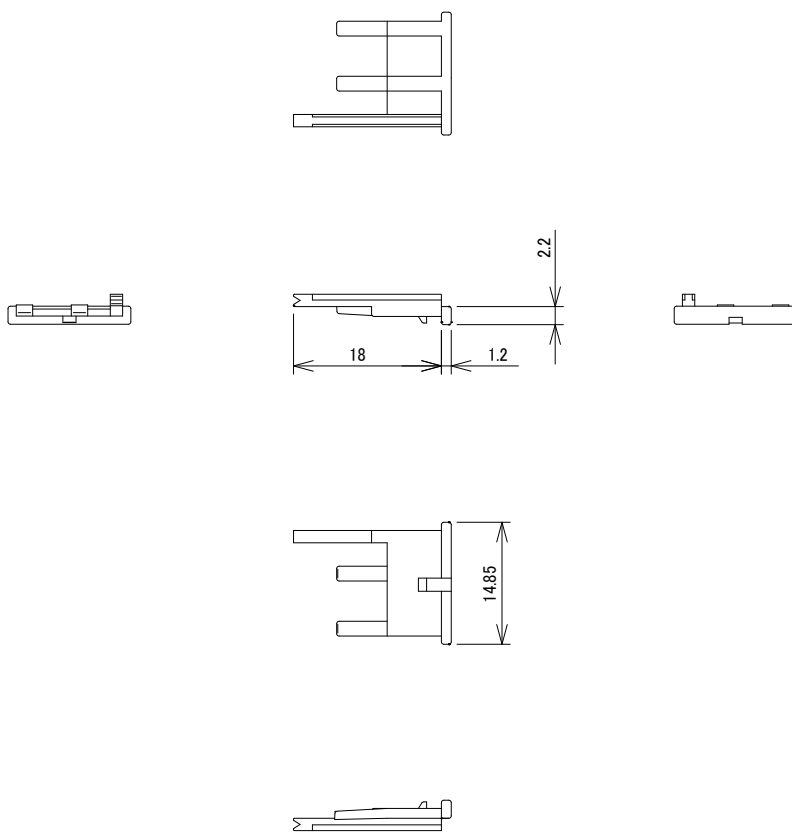
Part No.	HRS No.	Material	Color	Mating Key	Purchase Unit
GT13SC-2/1S-HU	CL0763-0016-0-00	PBT	Light Gray	Standard	100pcs per bag

Note 1 : Compatible coaxial terminals are GT13-2428/1.6-2.9SCF(55), GT13-30/1.6-2.9SCF(55), GT13-2428/F4-5SCF(55), GT13-30/F4-5SCF(55), GT13L-2428/1.1-2.2SCF(55), GT13L-2428/1.6-2.9SCF(55) and GT13L-30/1.6-2.9SCF(55).

Note 2 : Compatible power terminal is GT10A-2022SCF.

Note 3 : Use with the retainer (GT13SC-2/1S-R), sold separately.

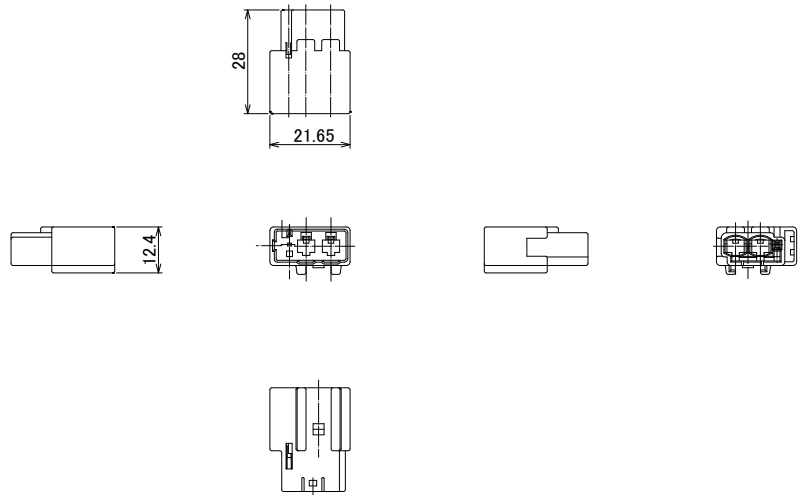
Retainer



Part No.	HRS No.	Material	Color	Purchase Unit
GT13SC-2/1S-R	CL0763-0017-3-00	PBT	Dark Gray	100pcs per bag

Note : Attach to the plug (GT13SC-2/1S-HU), sold separately.

In-line Jack



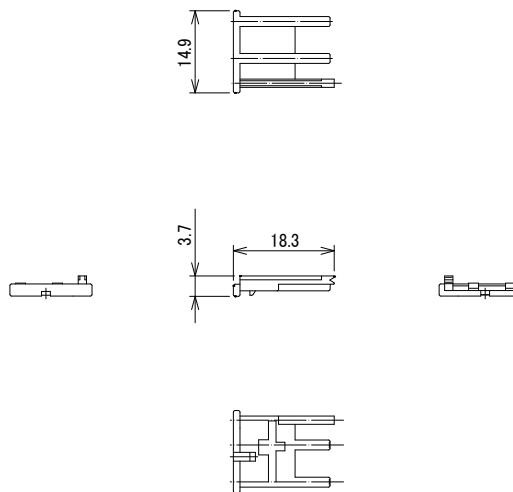
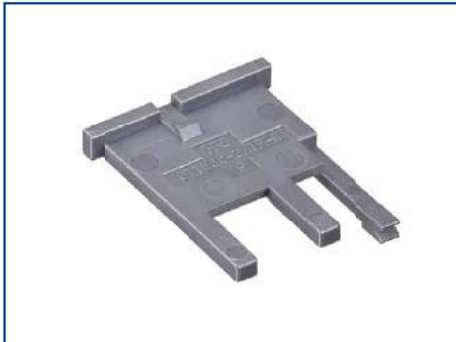
Part No.	HRS No.	Material	Color	Mating Key	Purchase Unit
GT13SCN-2/1PP-HU	CL0763-0038-3-00	PBT	Light Gray	Standard	100pcs per bag

Note 1 : Compatible coaxial terminals are GT13-2428/1.6-2.9PCF(70), GT13-30/1.6-2.9PCF(70), GT13-2428/F4-5PCF(70) and GT13-30/F4-5PCF(70).

Note 2 : Compatible power terminals are GT10SC-2022PCF and GT10A-2022PCF.

Note 3 : Use with the retainer (GT13SC-2/1PP-R), sold separately.

Retainer

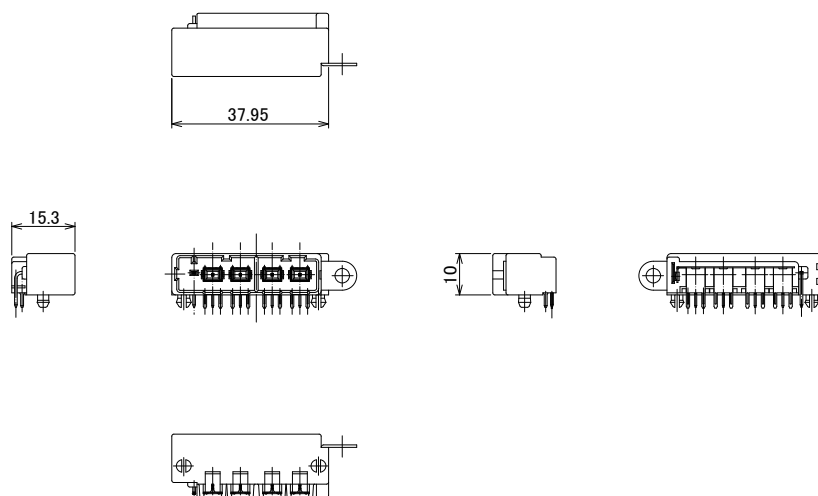


Part No.	HRS No.	Material	Color	Purchase Unit
GT13SC-2/1PP-R	CL0763-0040-5-00	PBT	Dark Gray	100pcs per bag

Note : Attach to the in-line jack (GT13SCN-2/1PP-HU), sold separately.

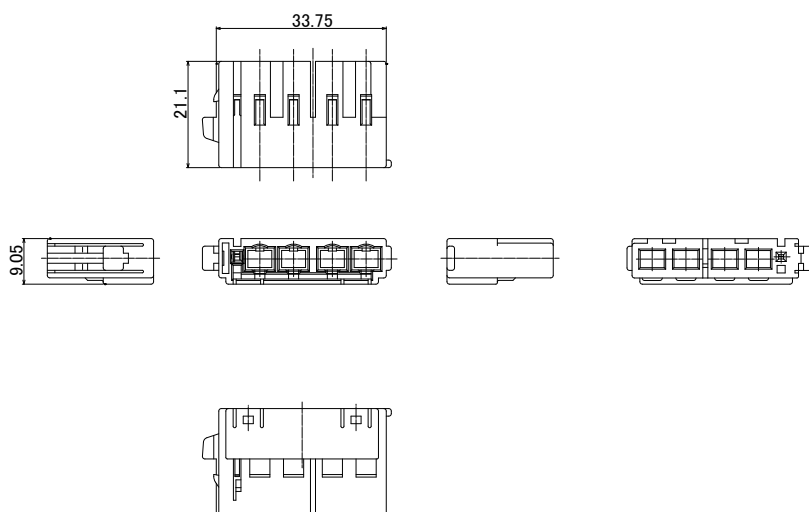
GT13SC / Coaxial 4 pos. + Power 1 pos.

Receptacle



Part No.	HRS No.	Material / Finish	Color	Mating Key	Purchase Unit
GT13SC-4/1PP-DS(70)	CL0763-0019-9-70	Housing : PBT Center Terminal : Copper Alloy / Tin Plating Outer Terminal : Copper Alloy / Tin Plating Power Terminal : Copper Alloy / Tin Plating Bracket Hardware : Copper Alloy / Tin Plating	Light Gray	Standard	50pcs per tray
GT13SC-4/1PP-DS(A)(70)	CL0763-0020-8-70		Brown	A Key	

Plug



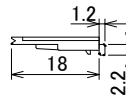
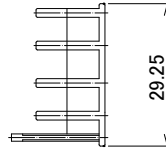
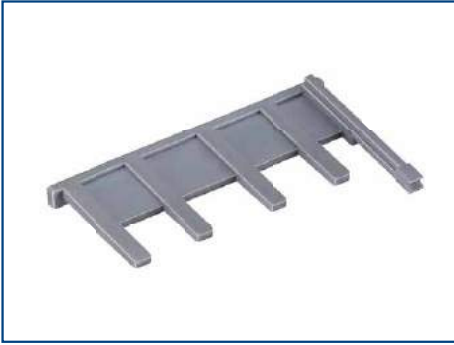
Part No.	HRS No.	Material	Color	Mating Key	Purchase Unit
GT13SC-4/1S-HU	CL0763-0021-0-00	PBT	Light Gray	Standard	100pcs per bag
GT13SC-4/1S-HU(A)	CL0763-0022-3-00		Brown	A Key	

Note 1 : Compatible coaxial terminals are GT13-2428/1.6-2.9SCF(55), GT13-30/1.6-2.9SCF(55), GT13-2428/F4-5SCF(55), GT13-30/F4-5SCF(55), GT13L-2428/1.1-2.2SCF(55), GT13L-2428/1.6-2.9SCF(55) and GT13L-30/1.6-2.9SCF(55).

Note 2 : Compatible power terminal is GT10A-2022SCF.

Note 3 : Use with the retainer (GT13SC-4/1S-R), sold separately.

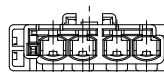
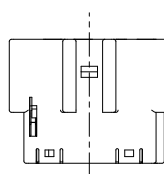
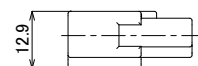
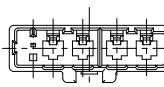
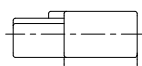
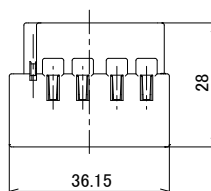
Retainer



Part No.	HRS No.	Material	Color	Purchase Unit
GT13SC-4/1S-R	CL0763-0023-6-00	PBT	Dark Gray	100pcs per bag

Note : Attach to the plug (GT13SC-4/1S-HU(#)), sold separately.

In-line Jack



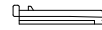
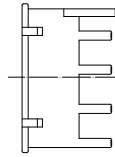
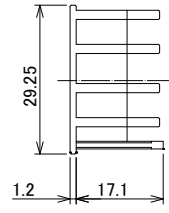
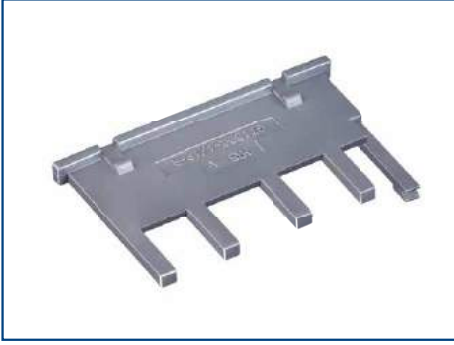
Part No.	HRS No.	Material	Color	Mating Key	Purchase Unit
GT13SCH-4/1PP-HU	CL0763-0060-2-00	PBT	Light Gray	Standard	100pcs per bag

Note 1 : Compatible coaxial terminals are GT13-2428/1.6-2.9PCF(70), GT13-30/1.6-2.9PCF(70), GT13-2428/F4-5PCF(70) and GT13-30/F4-5PCF(70).

Note 2 : Compatible power terminals are GT10SC-2022PCF and GT10A-2022PCF.

Note 3 : Use with the retainer (GT13SC-4/1P-R), sold separately.

Retainer

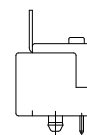
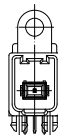
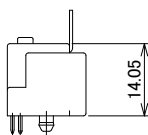
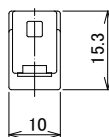


Part No.	HRS No.	Material	Color	Purchase Unit
GT13SC-4/1P-R	CL0763-0061-5-00	PBT	Dark Gray	100pcs per bag

Note : Attach to the in-line jack (GT13SCH-4/1PP-HU), sold separately.

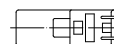
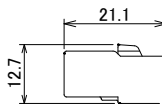
GT13SH / Coaxial 1 pos.

Receptacle



Part No.	HRS No.	Material / Finish	Color	Mating Key	Purchase Unit
GT13SHA-1PP-DS	CL0763-0062-8-00	Housing : PBT Center Terminal : Copper Alloy / Tin Plating Outer Terminal : Copper Alloy / Tin Plating Bracket Hardware : Copper Alloy / Tin Plating	Light Gray	Standard	60pcs per tray

Plug

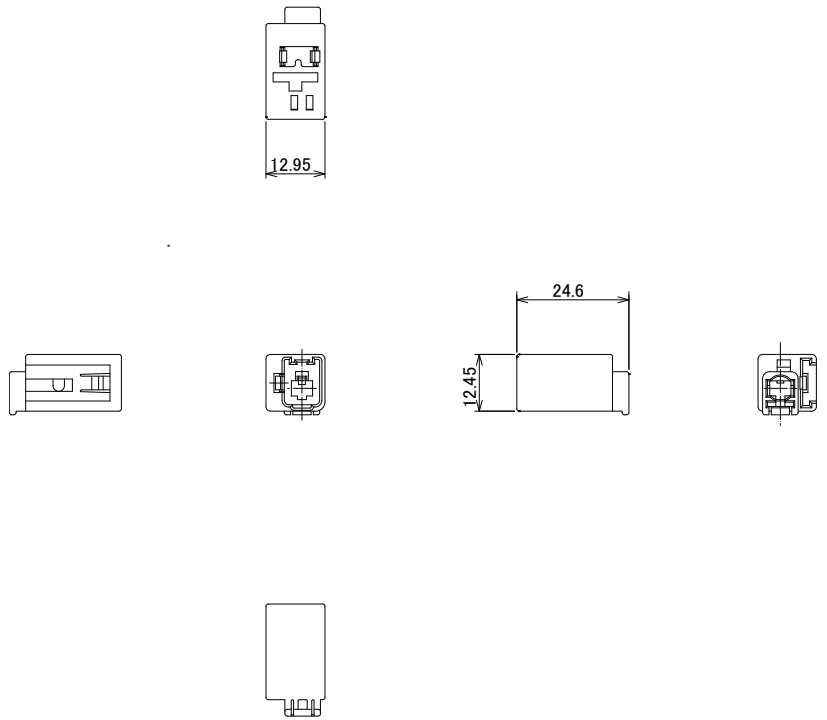


Part No.	HRS No.	Material	Color	Mating Key	Purchase Unit
GT13S-1S-HU	CL0763-0024-9-00	PBT	Light Gray	Standard	100pcs per bag

Note 1 : Compatible coaxial terminals are GT13-2428/1.6-2.9SCF(55), GT13-30/1.6-2.9SCF(55), GT13-2428/F4-5SCF(55), GT13-30/F4-5SCF(55), GT13L-2428/1.1-2.2SCF(55), GT13L-2428/1.6-2.9SCF(55) and GT13L-30/1.6-2.9SCF(55).

Note 2 : Use with the retainer (GT13S-1P/S-R), sold separately.

In-line Jack

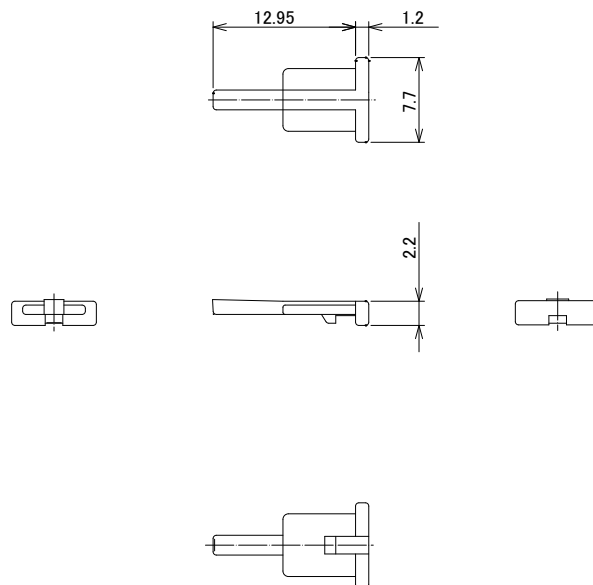


Part No.	HRS No.	Material / Finish	Color	Mating Key	Purchase Unit
GT13S-1PP-HU	CL0763-0030-1-00	Housing : PBT Ground Terminal : Copper Alloy / Tin Plating	Light Gray	Standard	100pcs per bag

Note 1 : Compatible coaxial terminals are GT13-2428/1.6-2.9PCF(70), GT13-30/1.6-2.9PCF(70), GT13-2428/F4-5PCF(70) and GT13-30/F4-5PCF(70).

Note 2 : Use with the retainer (GT13S-1P/S-R), sold separately.

Retainer

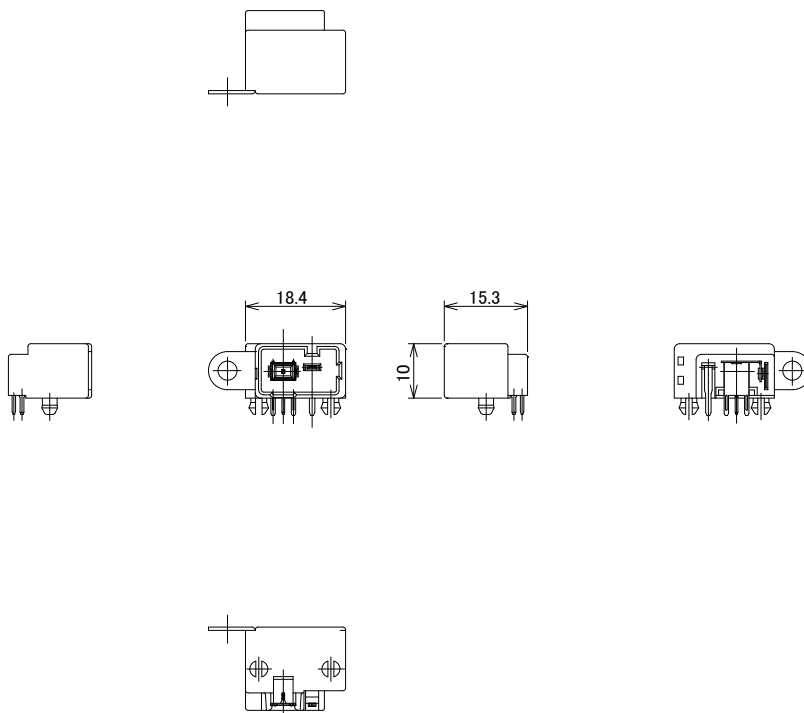


Part No.	HRS No.	Material	Color	Purchase Unit
GT13S-1P/S-R	CL0763-0033-0-00	PBT	Dark Gray	100pcs per bag

Note : Attach to the plug (GT13S-1S-HU) or in-line jack (GT13S-1PP-HU), sold separately.

GT13SH / Coaxial 1 pos. + Power 1 pos.

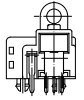
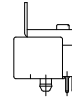
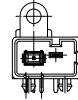
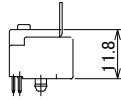
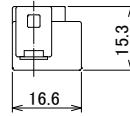
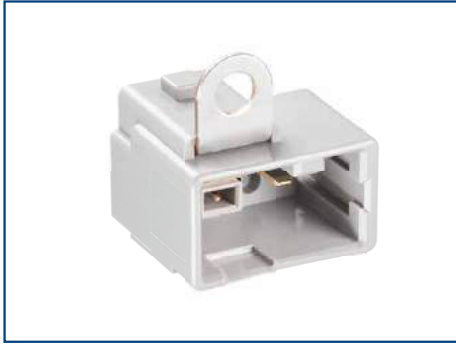
Receptacle



Part No.	HRS No.	Material	Color	Mating Key	Purchase Unit
GT13SH-1/1PP-DS	CL0763-0050-9-00	Housing : PBT Center Terminal : Copper Alloy / Tin Plating Outer Terminal : Copper Alloy / Tin Plating Power Terminal : Copper Alloy / Tin Plating Bracket Hardware : Copper Alloy / Tin Plating	Light Gray	Standard	60pcs per tray

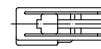
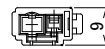
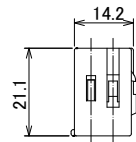
Feb. 1. 2025 Copyright 2025 HIROSE ELECTRIC CO., LTD. All Rights Reserved.

Receptacle



Part No.	HRS No.	Material / Finish	Color	Mating Key	Purchase Unit
GT13SHA-1/1PP-DS	CL0763-0057-8-00	Housing : PBT Center Terminal : Copper Alloy / Tin Plating Outer Terminal : Copper Alloy / Tin Plating Power Terminal : Copper Alloy / Tin Plating Bracket Hardware : Copper Alloy / Tin Plating	Light Gray	Standard	60pcs per tray

Plug



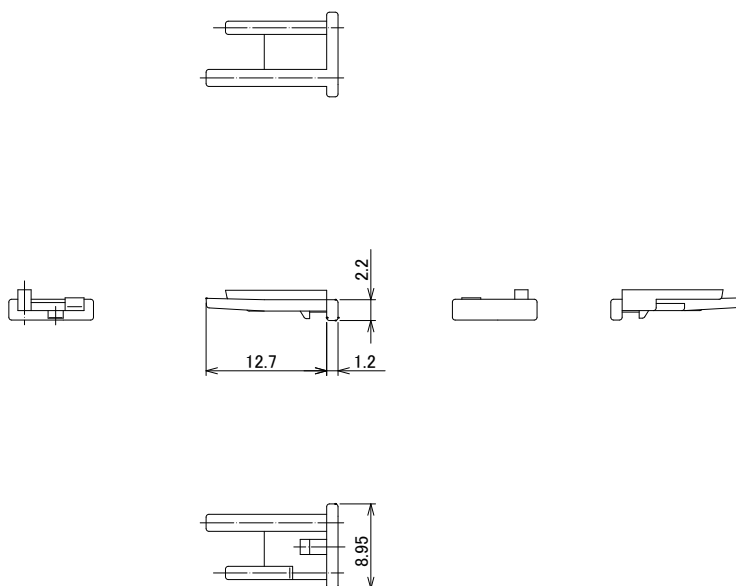
Part No.	HRS No.	Material	Color	Mating Key	Purchase Unit
GT13SH-1/1S-HU	CL0763-0048-7-00	PBT	Light Gray	Standard	100pcs per bag

Note 1 : Compatible coaxial terminals are GT13-2428/1.6-2.9SCF(55), GT13-30/1.6-2.9SCF(55), GT13-2428/F4-5SCF(55), GT13-30/F4-5SCF(55), GT13L-2428/1.1-2.2SCF(55), GT13L-2428/1.6-2.9SCF(55) and GT13L-30/1.6-2.9SCF(55).

Note 2 : Compatible power terminals are GT7-2022SCF(70) and GT7A-2022SCF(70).

Note 3 : Use with the retainer (GT13SH-1/1S-R), sold separately.

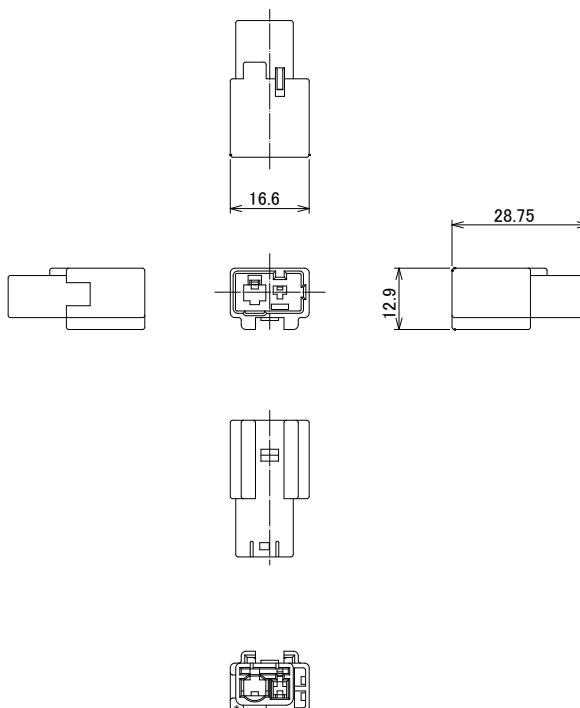
Retainer



Part No.	HRS No.	Material	Color	Purchase Unit
GT13SH-1/1S-R	CL0763-0049-0-00	PBT	Dark Gray	100pcs per bag

Note : Attach to the plug (GT13SH-1/1S-HU), sold separately.

In-line Jack



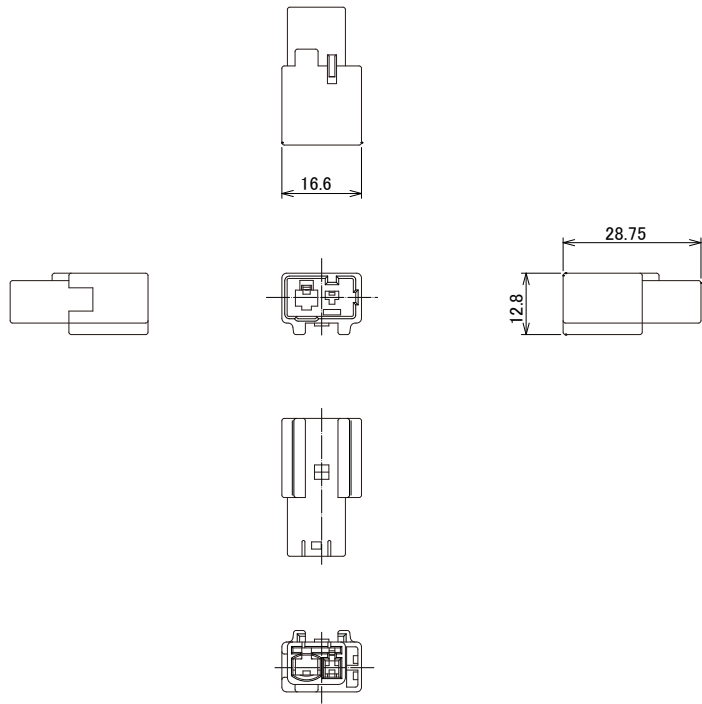
Part No.	HRS No.	Material	Color	Mating Key	Purchase Unit
GT13SH-1/1PP-HU	CL0763-0055-2-00	PBT	Light Gray	Standard	100pcs per bag

Note 1 : Compatible coaxial terminals are GT13-2428/1.6-2.9PCF(70), GT13-30/1.6-2.9PCF(70), GT13-2428/F4-5PCF(70) and GT13-30/F4-5PCF(70).

Note 2 : Compatible power terminals are GT7-2022PCF(70) and GT7A-2022PCF(70).

Note 3 : Use with the retainer (GT13SH-1/1P-R), sold separately.

In-line Jack



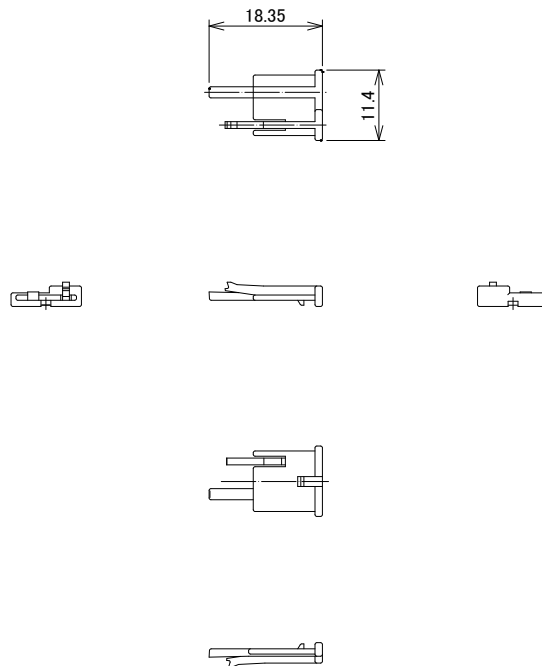
Part No.	HRS No.	Material	Color	Mating Key	Purchase Unit
GT13SHN-1/1PP-HU	CL0763-0078-8-00	PBT	Light Gray	Standard	100pcs per bag

Note 1 : Compatible coaxial terminals are GT13-2428/1.6-2.9PCF(70), GT13-30/1.6-2.9PCF(70), GT13-2428/F4-5PCF(70) and GT13-30/F4-5PCF(70).

Note 2 : Compatible power terminals are GT7-2022PCF(70) and GT7A-2022PCF(70).

Note 3 : Use with the retainer (GT13SH-1/1P-R), sold separately.

Retainer

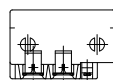
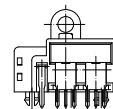
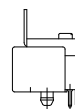
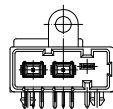
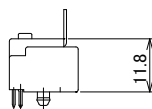
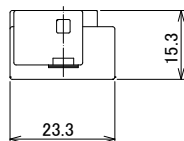


Part No.	HRS No.	Material	Color	Purchase Unit
GT13SH-1/1P-R	CL0763-0056-5-00	PBT	Dark Gray	100pcs per bag

Note : Attach to the in-line jack (GT13SH-1/1P-R, GT13SHN-1/1PP-HU), sold separately.

GT13SH / Coaxial 2 pos. + Power 1 pos.

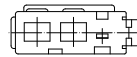
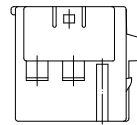
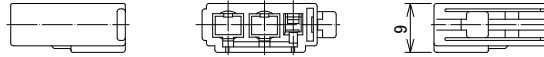
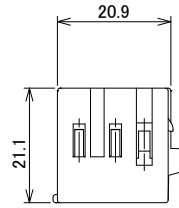
Receptacle



(Example of product appearance.)

Part No.	HRS No.	Material / Finish	Color	Mating Key	Purchase Unit
GT13SHA-2/1PP-DS	CL0763-0063-0-00	Housing : PBT Center Terminal : Copper Alloy / Tin Plating Outer Terminal : Copper Alloy / Tin Plating	Light Gray	Standard	48pcs per tray
GT13SHB-2/1P-DS	CL0763-0125-0-00	Power Terminal : Copper Alloy / Tin Plating Bracket Hardware : Copper Alloy / Tin Plating	Light Gray	Standard	45pcs per tray

Plug



(Example of product appearance.)

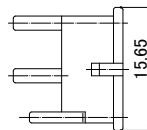
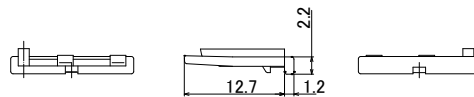
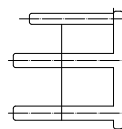
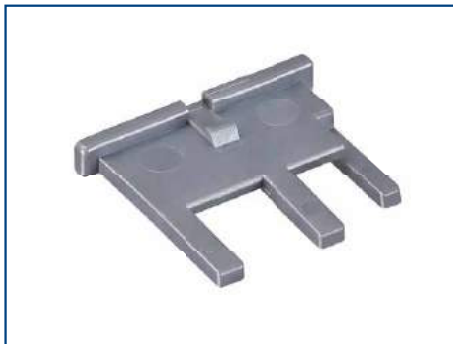
Part No.	HRS No.	Material	Color	Mating Key	Purchase Unit
GT13SH-2/1S-HU	CL0763-0065-6-00	PBT	Light Gray	Standard	100pcs per bag
GT13SHB-2/1S-HU	CL0763-0131-0-00		Light Gray	Standard	

Note 1 : Compatible coaxial terminals are GT13-2428/1.6-2.9SCF(55), GT13-30/1.6-2.9SCF(55), GT13-2428/F4-5SCF(55), GT13-30/F4-5SCF(55), GT13L-2428/1.1-2.2SCF(55), GT13L-2428/1.6-2.9SCF(55) and GT13L-30/1.6-2.9SCF(55).

Note 2 : Compatible power terminals are GT7-2022SCF(70) and GT7A-2022SCF(70).

Note 3 : Use with the retainer (GT13SH-2/1S-R), sold separately.

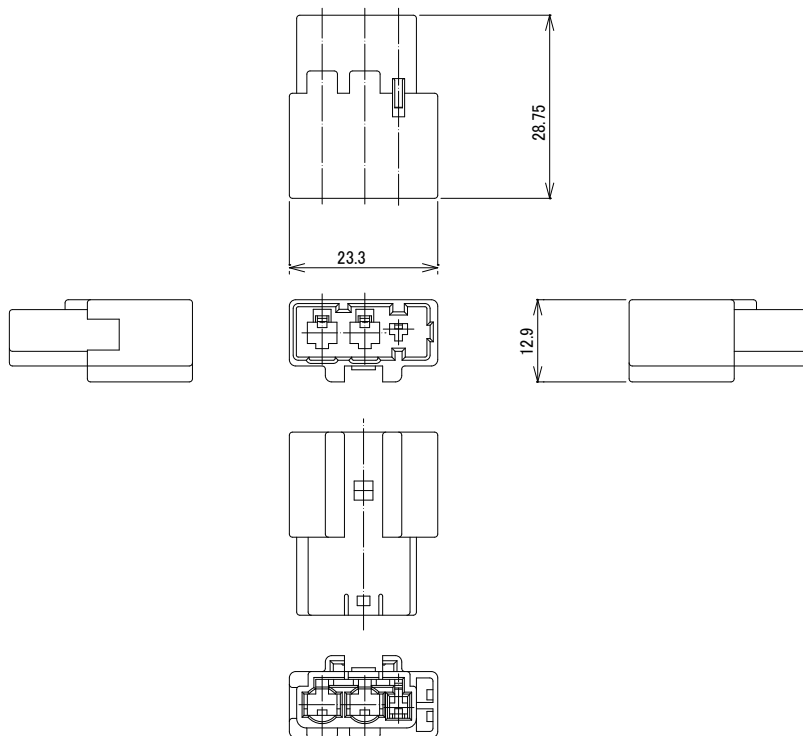
Retainer



Part No.	HRS No.	Material	Color	Purchase Unit
GT13SH-2/1S-R	CL0763-0064-3-00	PBT	Dark Gray	100pcs per bag

Note : Attach to the plug (GT13SH-2/1S-HU, GT13SHB-2/1S-HU), sold separately.

In-line Jack



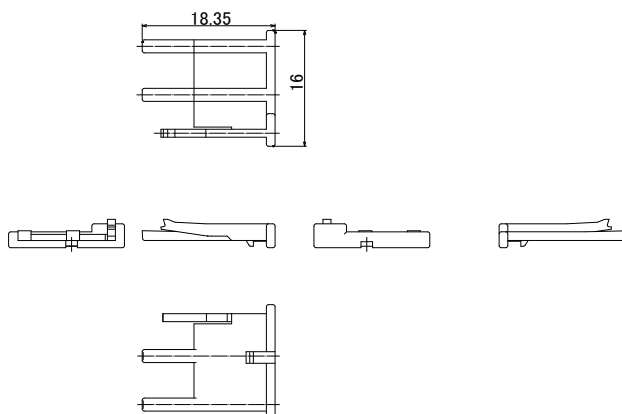
Part No.	HRS No.	Material	Color	Mating Key	Purchase Unit
GT13SH-2/1PP-HU	CL0763-0076-2-00	PBT	Light Gray	Standard	100pcs per bag

Note 1 : Compatible coaxial terminals are GT13-2428/1.6-2.9PCF(70), GT13-30/1.6-2.9PCF(70), GT13-2428/F4-5PCF(70) and GT13-30/F4-5PCF(70).

Note 2 : Compatible power terminals are GT7-2022PCF(70) and GT7A-2022PCF(70).

Note 3 : Use with the retainer (GT13SH-2/1P-R), sold separately.

Retainer

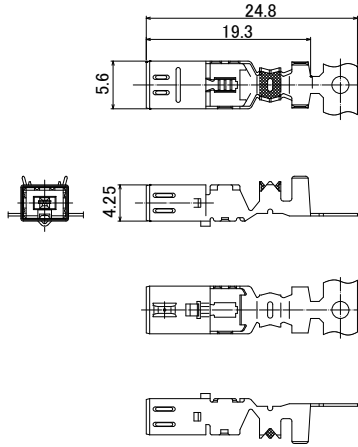


Part No.	HRS No.	Material	Color	Purchase Unit
GT13SH-2/1P-R	CL0763-0077-5-00	PBT	Dark Gray	100pcs per bag

Note : Attach to the in-line jack (GT13SH-2/1PP-HU), sold separately.

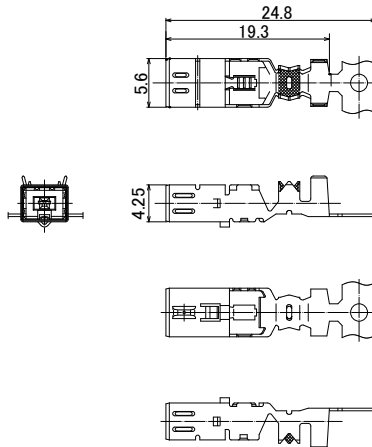
Coaxial Terminal

Female Terminal



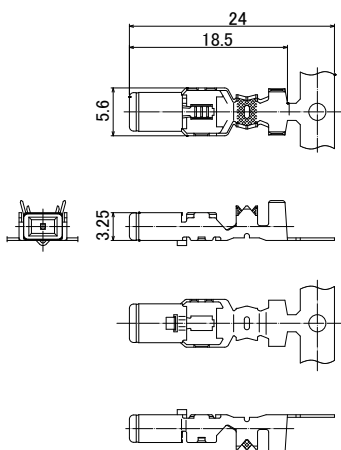
Part No.	HRS No.	Material / Finish or Color	Wire Size	Insulation Outer Diameter	Jacket Outer Diameter	Purchase Unit
GT13-2428/1.6-2.9SCF(55)	CL0763-0001-3-55	Insulator : PBT / Dark Gray Center Terminal : Copper Alloy / Tin Plating	24 to 28 AWG	φ 1.5 to 2.0	φ 2.7 to 3.4	3,000pcs per reel
GT13-30/1.6-2.9SCF(55)	CL0763-0012-0-55		30 AWG			
GT13-2428/F4-5SCF(55)	CL0763-0051-1-55	Outer Terminal : Copper Alloy / Tin Plating	24 to 28 AWG	φ 3.0 to 3.6	φ 4.6 to 5.0	2,200pcs per reel
GT13-30/F4-5SCF(55)	CL0763-0067-1-55		30 AWG			

Female Terminal (Low Insertion/Extraction Force Type)



Part No.	HRS No.	Material / Finish or Color	Wire Size	Insulation Outer Diameter	Jacket Outer Diameter	Purchase Unit
GT13L-2428/1.1-2.2SCF(55)	CL0763-0115-2-55	Insulator : PBT / Dark Gray Center Terminal : Copper Alloy / Tin Plating	24 to 28 AWG	φ 1.0 to 1.4	φ 2.0 to 2.4	3,000pcs per reel
GT13L-2428/1.6-2.9SCF(55)	CL0763-0132-0-55			φ 1.5 to 2.0	φ 2.7 to 3.4	
GT13L-30/1.6-2.9SCF(55)	CL0763-0098-0-55	Outer Terminal : Copper Alloy / Tin Plating	30 AWG	φ 1.5 to 2.0	φ 2.7 to 3.4	

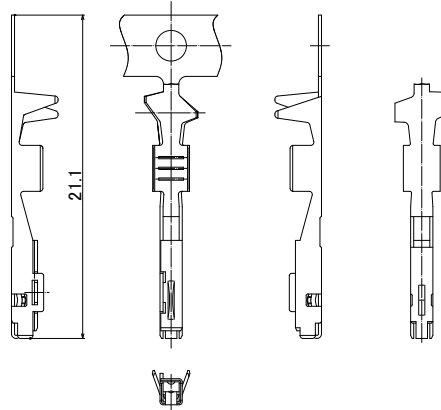
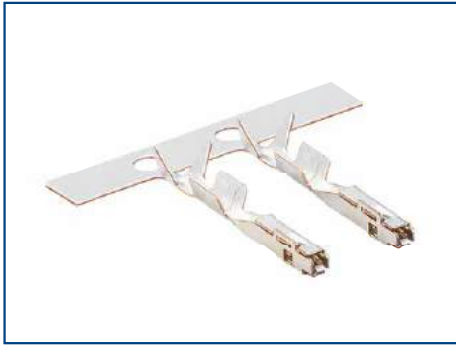
Male Terminal



Part No.	HRS No.	Material / Finish or Color	Wire Size	Insulation Outer Diameter	Jacket Outer Diameter	Purchase Unit
GT13-2428/1.6-2.9PCF(70)	CL0763-0002-6-70	Insulator : PBT / Dark Gray Center Terminal : Copper Alloy / Tin Plating	24 to 28 AWG	ϕ 1.5 to 2.0	ϕ 2.7 to 3.4	4,000pcs per reel
GT13-30/1.6-2.9PCF(70)	CL0763-0041-8-70		30 AWG			
GT13-2428/F4-5PCF(70)	CL0763-0054-0-70	Outer Terminal : Copper Alloy / Tin Plating	24 to 28 AWG	ϕ 3.0 to 3.6	ϕ 4.6 to 5.0	2,200pcs per reel
GT13-30/F4-5PCF(70)	CL0763-0066-9-70		30 AWG			

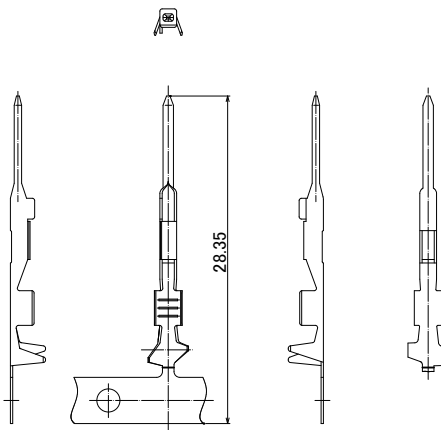
Power Terminal for GT13SC

Female Terminal



Part No.	HRS No.	Material / Finish	Wire Size	Jacket Outer Diameter	Purchase Unit
GT10A-2022SCF	CL0760-0014-6-00	Copper Alloy / Tin Plating	20 to 22 AWG	φ 2.0 Max.	8,000pcs per reel

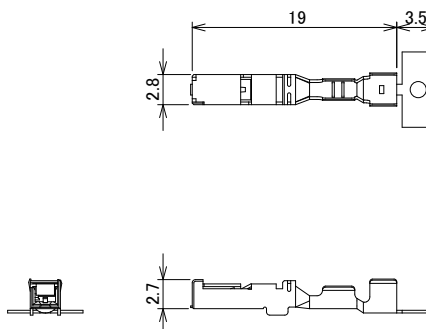
Male Terminal



Part No.	HRS No.	Material / Finish	Wire Size	Jacket Outer Diameter	Purchase Unit
GT10SC-2022PCF	CL0760-0016-1-00	Copper Alloy / Tin Plating	20 to 22 AWG	φ 1.5 to 2.0	7,000pcs per reel
GT10A-2022PCF	CL0760-0015-9-00			φ 2.0 Max.	10,000pcs per reel

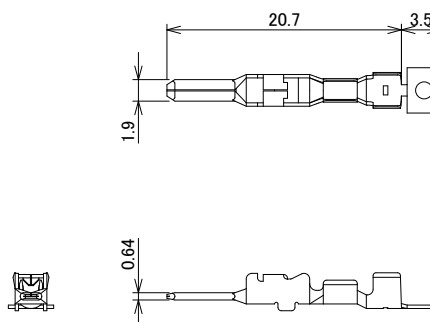
Power Terminal for GT13SH

Female Terminal



Part No.	HRS No.	Material / Finish	Wire Size	Jacket Outer Diameter	Purchase Unit
GT7-2022SCF(70)	CL0757-0001-1-70	Copper Alloy / Tin Plating	20 to 22 AWG	φ 1.4 to 2.4	5,000pcs per reel
GT7A-2022SCF(70)	CL0757-0003-7-70			φ 2.6 to 3.1	3,000pcs per reel

Male Terminal



Part No.	HRS No.	Material / Finish	Wire Size	Jacket Outer Diameter	Purchase Unit
GT7-2022PCF(70)	CL0757-0002-4-70	Brass / Tin Plating	20 to 22 AWG	φ 1.4 to 2.4	5,000pcs per reel
GT7A-2022PCF(70)	CL0757-0004-0-70			φ 2.6 to 3.1	3,000pcs per reel

Crimping Tools

Please ask your Hirose Electric representative for a user manual.

Automatic Crimping Machine



Product number CM-105C

Note 1 : Photo for reference only. Subject to change.

Note 2 : Please refer to the table below for applicator part numbers.

Specifications

Item	Specifications	Remarks
Press Capacity	1.5ton	-
Stroke Length	30mm	-
Number of Strokes	200spm (50Hz)	240spm (60Hz)
Weight	75kg	-
Motor	0.2kw	100V AC
Crimping Speed	2,000 to 4,000pcs/H	-

Applicator (for Mounting to Automatic Crimping Machines)

Terminal Part No.	Terminal HRS No.	Applicator Part No.	Applicator HRS No.
GT13-2428/1.6-2.9SCF(55)	CL0763-0001-3-55	AP105-GT13-2428/1.6-2.9S	CL0901-5073-1-00
GT13-30/1.6-2.9SCF(55)	CL0763-0012-0-55	AP105-GT13-30/1.6-2.9S-ID	CL0901-5099-5-00
		AP105-GT13-30/1.6-2.9S	CL0901-5116-2-00
GT13-2428/F4-5SCF(55)	CL0763-0051-1-55	AP105-GT13-2428/F4-5S-ID	CL0901-5129-4-00
		AP105-GT13-2428/F4-5S	CL0901-5176-4-00
GT13-30/F4-5SCF(55)	CL0763-0067-1-55	AP105-GT13-30/F4-5S-ID	CL0901-5131-6-00
GT13-2428/1.6-2.9PCF(70)	CL0763-0002-6-70	AP105-GT13-2428/1.6-2.9P	CL0901-5074-4-00
GT13-30/1.6-2.9PCF(70)	CL0763-0041-8-70	AP105-GT13-30/1.6-2.9P-ID	CL0901-5118-8-00
		AP105-GT13-30/1.6-2.9P	CL0901-5119-0-00
GT13-2428/F4-5PCF(70)	CL0763-0054-0-70	AP105-GT13-2428/F4-5P-ID	CL0901-5128-1-00
		AP105-GT13-2428/F4-5P	CL0901-5175-1-00
GT13-30/F4-5PCF(70)	CL0763-0066-9-70	AP105-GT13-30/F4-5P-ID	CL0901-5133-1-00

Terminal Part No.	Terminal HRS No.	Applicator Part No.	Applicator HRS No.
GT10A-2022SCF	CL0760-0014-6-00	AP105-GT10A-2022S	CL0901-5098-2-00
GT10SC-2022PCF	CL0760-0016-1-00	AP105-GT10SC-2022P	CL0901-5122-5-00
GT10A-2022PCF	CL0760-0015-9-00	AP105-GT10A-2022P	CL0901-5120-0-00

Terminal Part No.	Terminal HRS No.	Applicator Part No.	Applicator HRS No.
GT7-2022SCF(70)	CL0757-0001-1-70	AP105-GT7-2022	CL0901-5004-9-00
GT7-2022PCF(70)	CL0757-0002-4-70		
GT7A-2022SCF(70)	CL0757-0003-7-70	AP105-GT7A-2022	CL0901-5039-3-00
GT7A-2022PCF(70)	CL0757-0004-0-70		

Note 1 : Different contact crimp heights are available for different cable types.

Please contact your Hirose Electric account representative for details.

Other cables will require different crimp height settings. Please note that this may take a few days.

Note 2 : When purchasing HRS equipment, please contact your Hirose Electric account representative to confirm that the cable that you plan to use for the applicable terminal has been evaluated.

Note 3 : The applicators and tools listed here may not be applicable depending on the specifications of the cable you use.

While Taking into Consideration

Specifications mentioned in this catalog are reference values.

When considering to order or use this product, please review the Drawing and Product Specifications sheets.

Use an appropriate cable when using the connector in combination with cables.

If considering usage of a non-specified cable, please contact your sales representative.

If assembly process is done by jigs & tools which are not identified by Hirose, the warranty of the product may be affected.

If considering usage for below mentioned applications, please contact your sales representative.

In cases where the application will demand a high level of reliability, such as automotive, medical instruments, public infrastructure, aerospace/defense etc. Hirose must review before assurance of reliability can be given.

Looking for pricing, stock, or lifecycle information?

Click below to explore more details on WIN SOURCE:

- ⊖ [View GT13SH-2/1S-HU on WIN SOURCE](#)
- ⊖ [Hirose Electric Co Ltd Information](#)

Optimize Your Supply Chain with WIN SOURCE Solutions

- ✓ Global Sourcing Solution
- ✓ Obsolete Management
- ✓ Cost Control Management
- ✓ Shortage Management
- ✓ Alternative Solution
- ✓ Excess Inventory Management