



**THE DATASHEET OF  
1410-L210-L2F1-S02-3.15A**



## Preferred types

Preferred types	Preferred ratings (A)									
	0.63	1	1.5	2	2.25	3.15	4	6.3	8	10
1410-G110-L2F1-S01-	x	x	x	x	x	x	x	x	x	x
1410-G111-P2F1-S01-	x	x	x	x	x	x	x	x	x	x
1410-L210-L2F1-S02-	x	x	x	x	x	x	x	x	x	x

## Ordering number code

### Type number

**1410** Circuit breakers with thermal trip principle

### Mounting method

**L2** Integral mounting or PCB mounting, grid 10.15 x 7.62 mm

**G1** Threadneck mounting or PCB mounting

### Number of poles

**1** 1-pole thermally protected

### Design, accessories

**0** none

**1** with screwed hexagonal and plastic knurled nut (> 5 pieces: hexagonal and plastic knurled nut bulk shipped)

### Terminal design

**L2** Soldering pins 1 x 0.8 mm, silver-plated

**P2** Blade terminals according to IEC 61210, 2.8 x 0.8 mm, silver-plated (for -G only)

### Characteristic curve

**F1** Fast trip curve

### Actuator, type and colour

**S01** Reset button, black(1410-G)

**S02** Reset slide switch, white (1410-L2)

### Current rating range

**0.63 ... 10 A**

**1410- L 2 1 0 - L2 F1 -S01-0.8 A** Ordering example

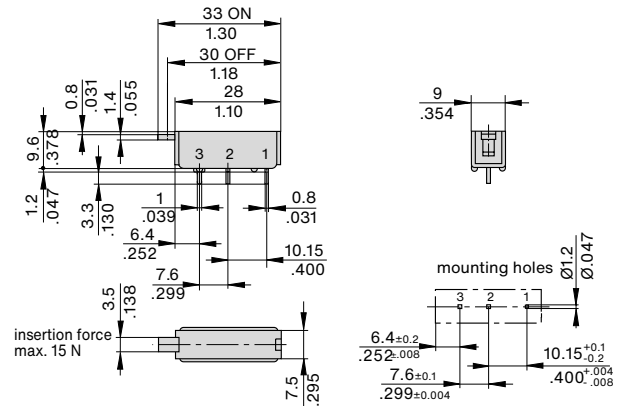
Please observe our minimum order quantities.

## Current ratings $I_N$ and typical internal resistance values

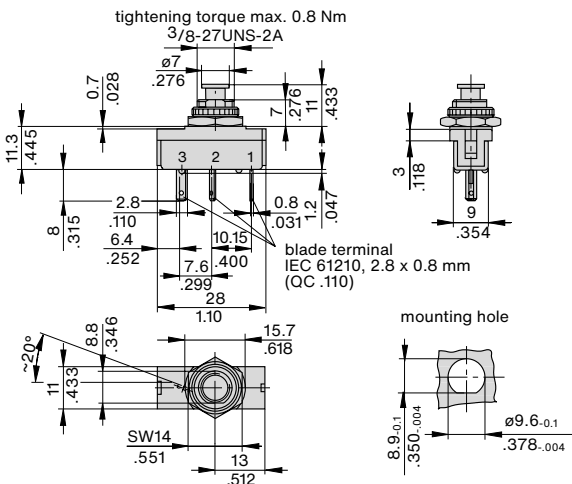
Current rating (A)	Internal resistance ( $\Omega$ )	Current rating (A)	Internal resistance ( $\Omega$ )
0.63	1.8	4	< 0.1
0.8	1.7	4.5	< 0.1
1	1.3	5	< 0.1
1.5	< 1	6.3	< 0.1
2	< 1	8	< 0.1
2.25	< 0.15	10	< 0.1
3.15	< 0.12		

## Dimensions

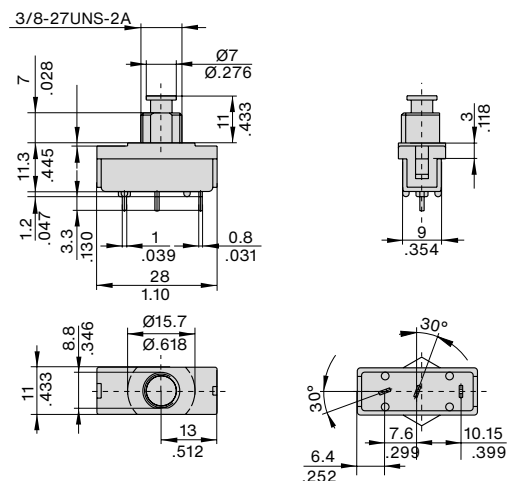
### 1410-L210-L2F1-S02



### 1410-G111-P2F1-S01



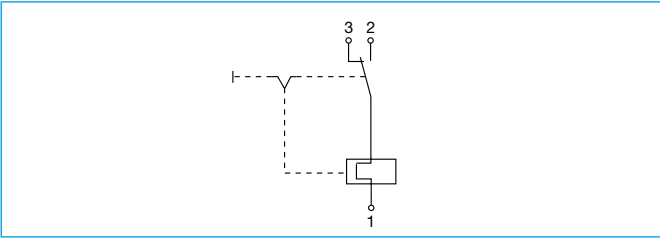
### 1410-G110-L2F1-S01



## Note

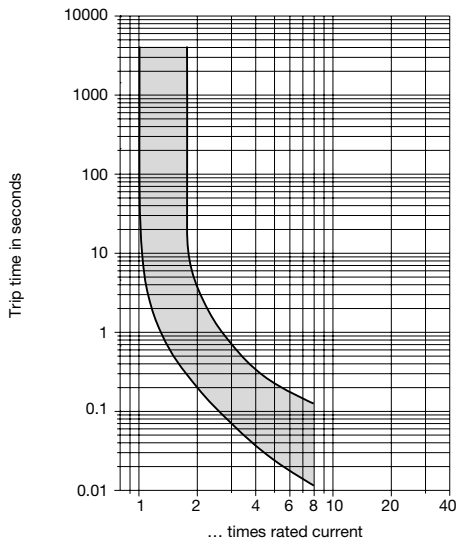
- Avoid stronger pressure on the reset button in ON condition, as this may lead to interruptions
- For maximum service life, the circuit breaker must not be switched on under load

**Schematic diagram**

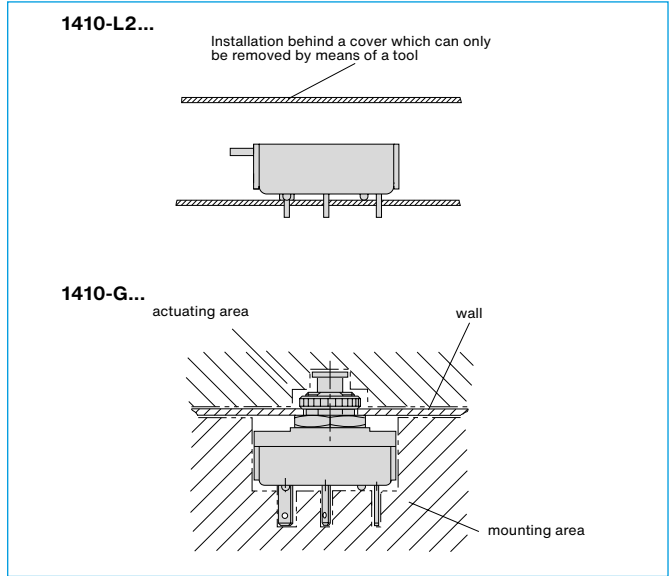


**Time/current characteristics**

Ambient temperature 23 °C

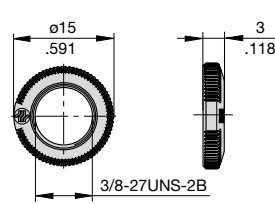


**Installation drawing**

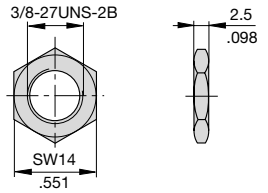


**Accessories**

**Knurled nut 3/8" plastic**  
Y 307 117 02





**Hex nut 3/8" nickel-plated brass**  
Y 300 192 01



All information and data given on our products are accurate and reliable to the best of our knowledge, but E-T-A does not accept any responsibility for the use in applications which are not in accordance with the present specification. E-T-A reserves the right to change specifications at any time in the interest of technical improvement. Dimensions are subject to change without notice. Please enquire for the latest dimensional drawing with tolerances if required. All dimensions, data, pictures and descriptions are for information only and are not binding. Amendments, errors and omissions excepted. Product part numbers may differ from their marking.

## Looking for pricing, stock, or lifecycle information?

Click below to explore more details on WIN SOURCE:

-  [View 1410-L210-L2F1-S02-3.15A on WIN SOURCE](#)
-  [E-T-A Information](#)

## Optimize Your Supply Chain with WIN SOURCE Solutions

-  Global Sourcing Solution
-  Obsolete Management
-  Cost Control Management
-  Shortage Management
-  Alternative Solution
-  Excess Inventory Management