



**THE DATASHEET OF
1410-L210-L2F1-S02-1.5A**



Preferred types

Preferred types	Preferred ratings (A)									
	0.63	1	1.5	2	2.25	3.15	4	6.3	8	10
1410-G110-L2F1-S01-	x	x	x	x	x	x	x	x	x	x
1410-G111-P2F1-S01-	x	x	x	x	x	x	x	x	x	x
1410-L210-L2F1-S02-	x	x	x	x	x	x	x	x	x	x

Ordering number code

Type number

1410 Circuit breakers with thermal trip principle

Mounting method

L2 Integral mounting or PCB mounting, grid 10.15 x 7.62 mm

G1 Threadneck mounting or PCB mounting

Number of poles

1 1-pole thermally protected

Design, accessories

0 none

1 with screwed hexagonal and plastic knurled nut (> 5 pieces: hexagonal and plastic knurled nut bulk shipped)

Terminal design

L2 Soldering pins 1 x 0.8 mm, silver-plated

P2 Blade terminals according to IEC 61210, 2.8 x 0.8 mm, silver-plated (for -G only)

Characteristic curve

F1 Fast trip curve

Actuator, type and colour

S01 Reset button, black(1410-G)

S02 Reset slide switch, white (1410-L2)

Current rating range

0.63 ... 10 A

1410- L 2 1 0 - L2 F1 -S01-0.8 A Ordering example

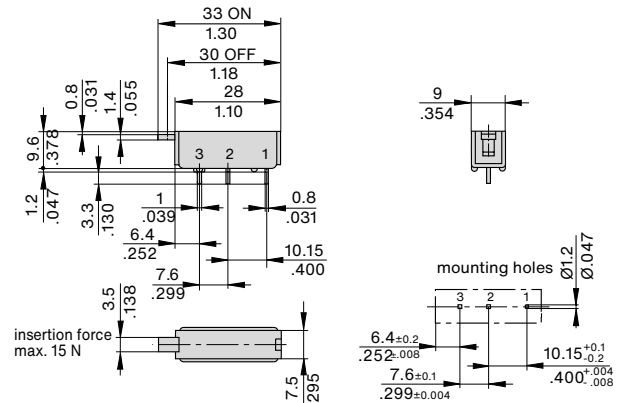
Please observe our minimum order quantities.

Current ratings I_N and typical internal resistance values

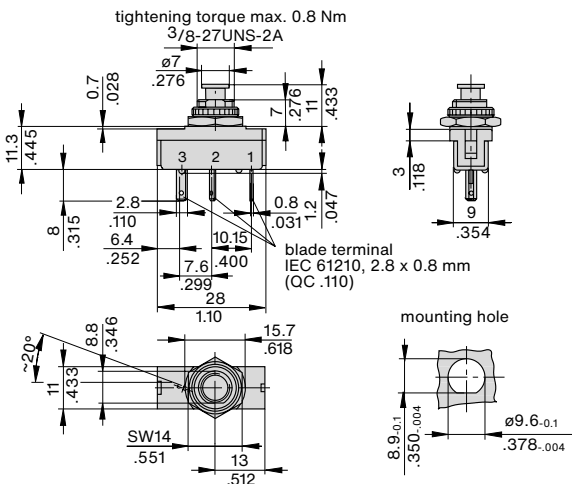
Current rating (A)	Internal resistance (Ω)	Current rating (A)	Internal resistance (Ω)
0.63	1.8	4	< 0.1
0.8	1.7	4.5	< 0.1
1	1.3	5	< 0.1
1.5	< 1	6.3	< 0.1
2	< 1	8	< 0.1
2.25	< 0.15	10	< 0.1
3.15	< 0.12		

Dimensions

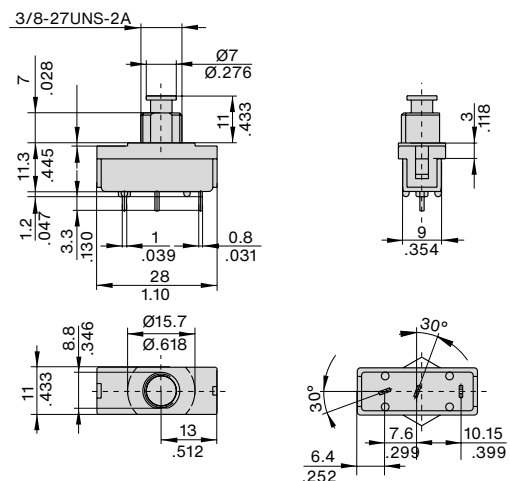
1410-L210-L2F1-S02



1410-G111-P2F1-S01



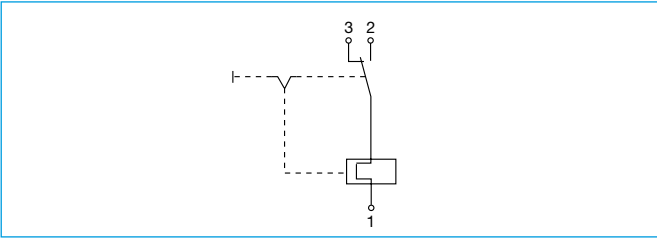
1410-G110-L2F1-S01



Note

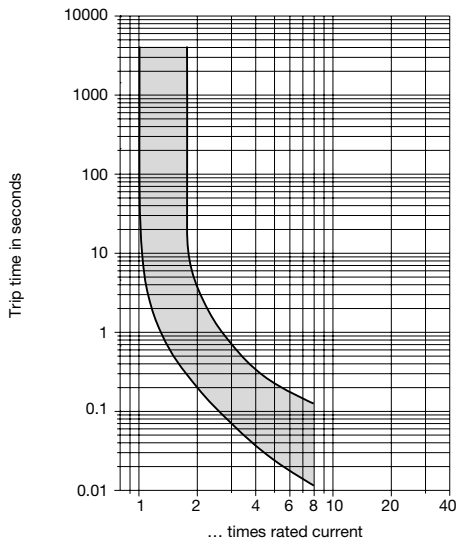
- Avoid stronger pressure on the reset button in ON condition, as this may lead to interruptions
- For maximum service life, the circuit breaker must not be switched on under load

Schematic diagram

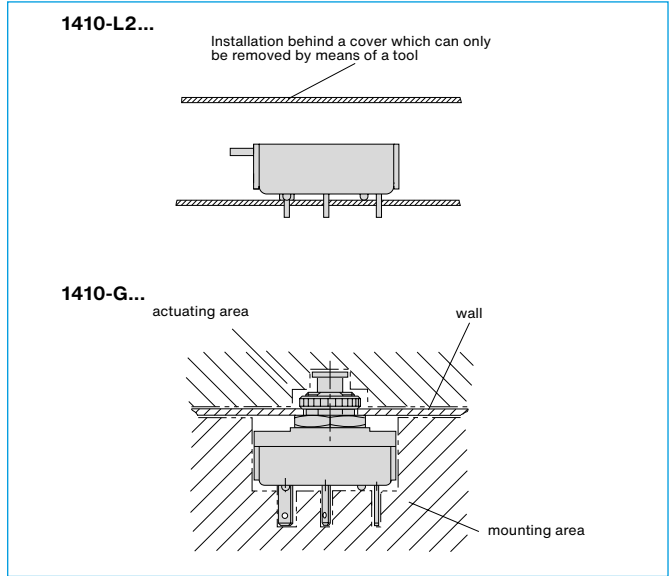


Time/current characteristics

Ambient temperature 23 °C

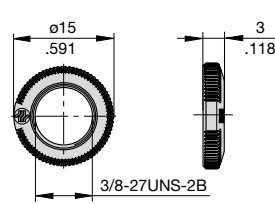


Installation drawing

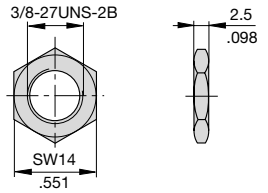


Accessories

Knurled nut 3/8" plastic
Y 307 117 02




Hex nut 3/8" nickel-plated brass
Y 300 192 01



All information and data given on our products are accurate and reliable to the best of our knowledge, but E-T-A does not accept any responsibility for the use in applications which are not in accordance with the present specification. E-T-A reserves the right to change specifications at any time in the interest of technical improvement. Dimensions are subject to change without notice. Please enquire for the latest dimensional drawing with tolerances if required. All dimensions, data, pictures and descriptions are for information only and are not binding. Amendments, errors and omissions excepted. Product part numbers may differ from their marking.

Looking for pricing, stock, or lifecycle information?

Click below to explore more details on WIN SOURCE:

-  [View 1410-L210-L2F1-S02-1.5A on WIN SOURCE](#)
-  [E-T-A Information](#)

Optimize Your Supply Chain with WIN SOURCE Solutions

-  Global Sourcing Solution
-  Obsolete Management
-  Cost Control Management
-  Shortage Management
-  Alternative Solution
-  Excess Inventory Management