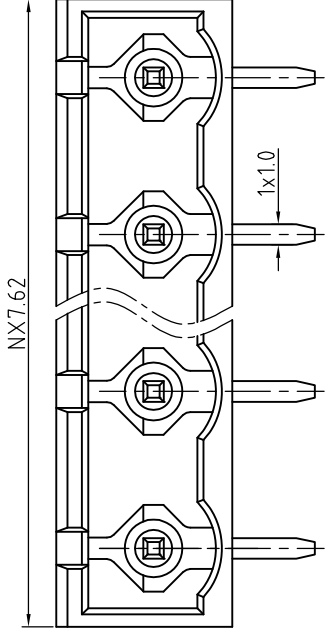




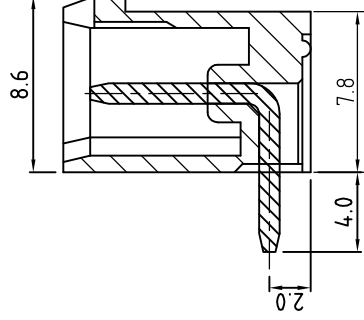
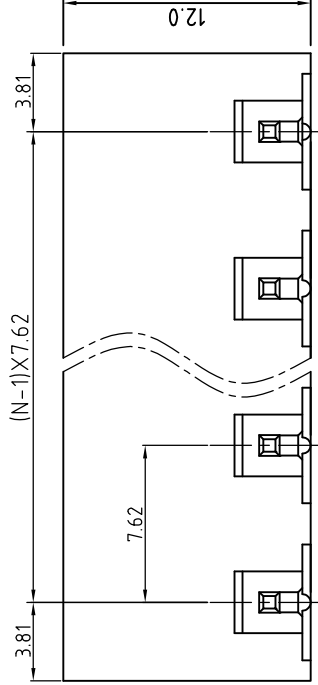
**THE DATASHEET OF  
OSTOQ030151**



Transfer or duplication of this document as well as the utilisation or communication of its content are not permitted unless express consent is granted. Violations give rise to claims for damages. All rights reserved in case of patent, utility model or design patent registrations.



N=Number of contacts

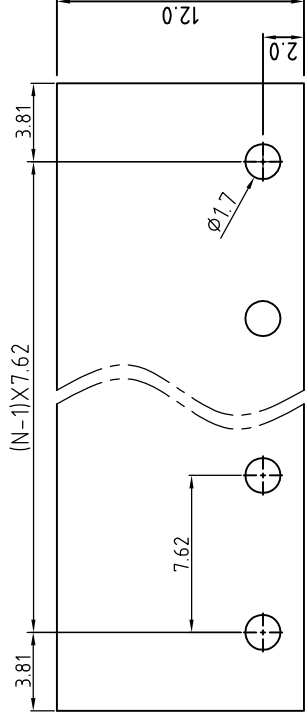


**Technical Data:**  
**Electrical**  
 Pitch: 7.62mm  
 Voltage rating: 300V  
 Current rating: 16 Amps  
 Withstanding Voltage: 2  
**Mechanical:**  
 Operating temperature: -40  
 Soldering temperature:  
 Temperature= 250°C±10°C / 5  
 Safety approval: RoHS Compliance

Part No.: **OSTOQXX015**

No. of Poles  
 02 2 Poles  
 03 3 Poles  
 ...  
 24 24 Poles

Nonstandard colors  
 Mins could apply



PCB. LAYOUT

2	Pin	Copper Alloy
1	Body	PA66-30%GF UL94
ITEM	NAME OF PART	MATE
DWG	DATE	U
CHK	DATE	S
APP	DATE	T




ON-SHORE TECHNOLOGY, INC. ID

REV	SIGN	DESCRIPTION	CHK	DATE

## Looking for pricing, stock, or lifecycle information?

Click below to explore more details on WIN SOURCE:

 [View OSTOQ030151 on WIN SOURCE](#)

 [On Shore Technology Inc.](#) Information

## Optimize Your Supply Chain with WIN SOURCE Solutions

-  Global Sourcing Solution
-  Obsolete Management
-  Cost Control Management
-  Shortage Management
-  Alternative Solution
-  Excess Inventory Management