



THE DATASHEET OF
0863-2X4R-54-F



THE INFORMATION CONTAINED HEREIN IS CONSIDERED "PROPRIETARY" TO BEL FUSE INC. AND SHALL NOT BE COPIED, REPRODUCED OR DISCLOSED WITHOUT THE WRITTEN APPROVAL OF BEL FUSE INC.

LED POLARITY		
PIN 11	PIN 12	COLOR
-	+	GREEN
+	-	ORANGE

ELECTRICAL CHARACTERISTICS @ 25°C

TURNS RATIO

- 1CT : 1CT ±2%
- 1CT : 1CT ±2%
- 1CT : 1CT ±2%
- 1CT : 1CT ±2%

DCL @ 100kHz/100mVRMS

8mA DC BIAS

INS. LOSS

- 0.1MHZ TO 1MHZ
- 1MHZ TO 65MHZ
- 65MHZ TO 100MHZ
- 100MHZ TO 125MHZ

350µH MIN.

- 1.1 dB MAX
- 0.5 dB MAX
- 0.8 dB MAX
- 1.2 dB MAX

RET. LOSS (MIN)

- 0.5MHZ-40MHZ
- 40MHZ-100MHZ

- 18 dB
- 12+20LOG(f/80MHZ) dB

CM TO CM REJ

- 100kHz - 100MHZ

-30 dB MIN

CM TO DM REJ

- 100kHz - 100MHZ

-35 dB MIN

HIPOT (Isolation Voltage):

1500 Vrms or 2250VDC

100% OF PRODUCT TESTED IN PRODUCTION

TO COMPLY WITH IEEE 802.3 ISOLATION REQUIREMENTS

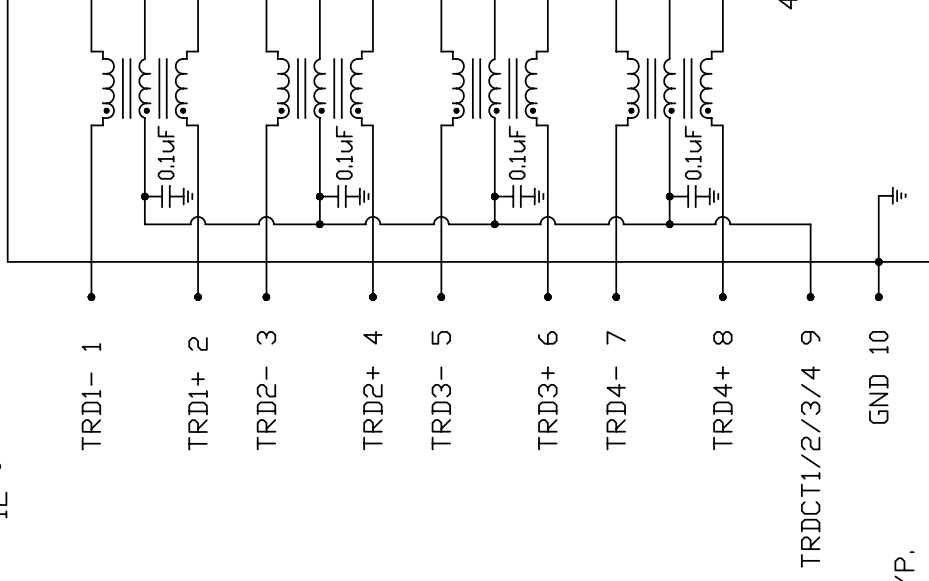
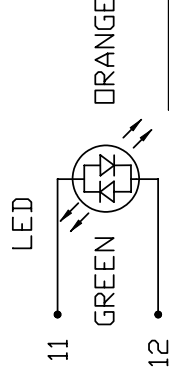
LED

VF (FORWARD VOLTAGE)

- IF=20mA GREEN 2.2V TYP.
- ORANGE 2.0V TYP.

λD (DOMINANT WAVELENGTH)

- IF=20mA GREEN 565nm TYP.
- ORANGE 610nm TYP.



ORIGINATED BY	DATE	TITLE
CHOW WANCHUNG	2012-08-20	2X4 gigabit MagJack® (8 Cores, with LED)
DRAWN BY	DATE	
TAN QIGUANG	2012-08-20	0863-2X4R-54-F PATENTED

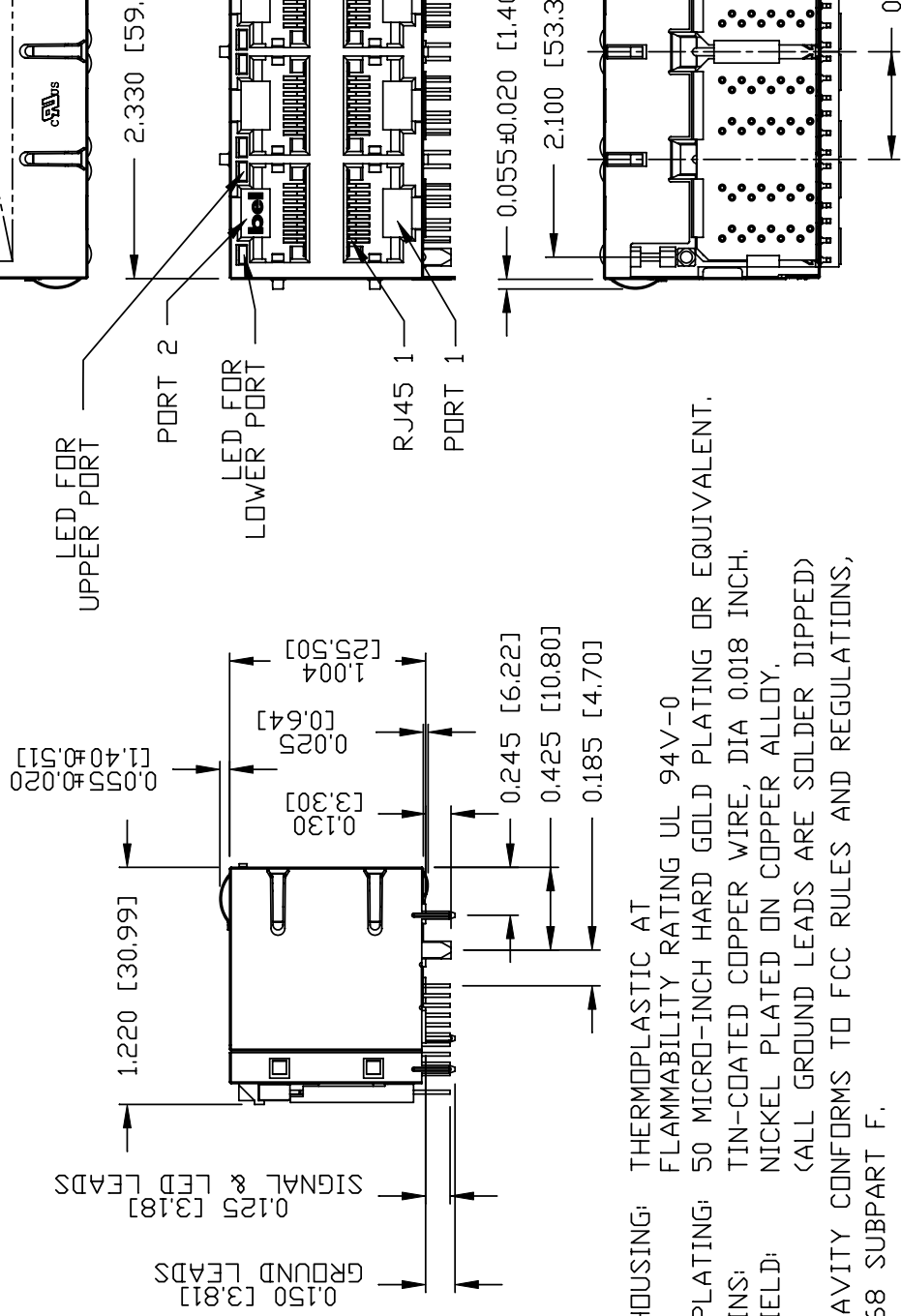
PART NO. / DRAWING NO.	08632X4R54-F
FILE NAME	08632X4R54-F_B.DWG

STANDARD DIM TOL. IN INCH	
.X	
.XX	
.XXX	

DC002(2)081111

This document is electronically generated. This is a controlled copy if used internally.

THE INFORMATION CONTAINED HEREIN IS CONSIDERED "PROPRIETARY" TO BEL FUSE INC. AND SHALL NOT BE COPIED, REPRODUCED OR DISCLOSED WITHOUT THE WRITTEN APPROVAL OF BEL FUSE INC.



NOTES:

PLASTIC HOUSING: THERMOPLASTIC AT FLAMMABILITY RATING UL 94V-0
 CONTACT PLATING: 50 MICRO-INCH HARD GOLD PLATING OR EQUIVALENT.
 OUTPUT PINS: TIN-COATED COPPER WIRE, DIA 0.018 INCH.
 METAL SHIELD: NICKEL PLATED ON COPPER ALLOY.

- 1 JACK CAVITY CONFORMS TO FCC RULES AND REGULATIONS, PART 68 SUBPART F.
- 2 MARK PART WITH MFG LOGO MFG, NAME, PART NUMBER, DATE CODE AND PATENTED.

bel FUSE UL RECOGNIZED - FILE #E196366 AND E169987.

3. THE PRODUCT IS ROHS COMPLIANT.

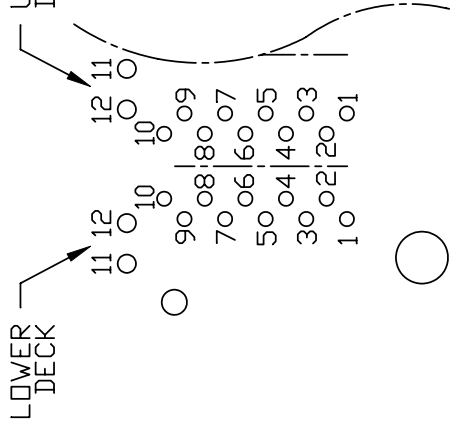
4. THE PRODUCT IS PATENTED.
 U.S. PAT. 5,736,910 AND
 AND U.S. PAT. 7,123,111

ORIGINATED BY	DATE	TITLE	PART NO. / DRAWING NO.	STANDARD DIM TOL. IN INCH
ANTON LIAD	2012-08-20	2X4 gigabit MagJack® (8 Cores, with LED)	08632X4R54-F	.X
DRAWN BY	DATE	0863-2X4R-54-F PATENTED	FILE NAME	.XX
HE ZHEN	2012-08-20		08632X4R54-F_B.DWG	.XXX
				#0.01

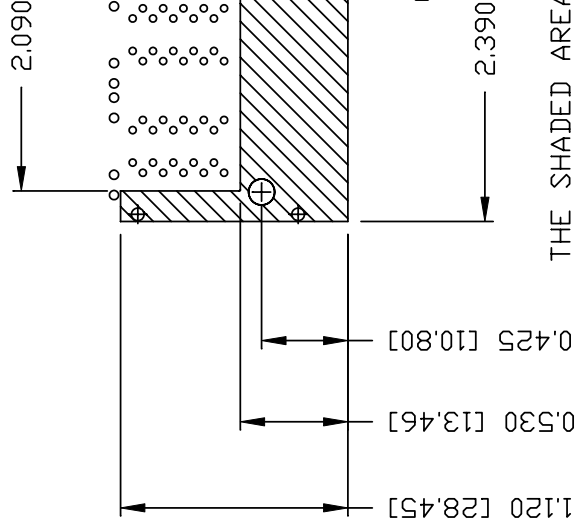
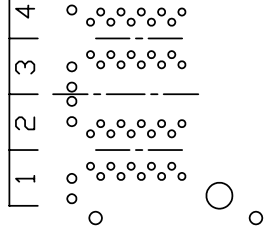
DC002(2)081111

This document is electronically generated. This is a controlled copy if used internally.

THE INFORMATION CONTAINED HEREIN IS CONSIDERED "PROPRIETARY" TO BEL FUSE INC. AND SHALL NOT BE COPIED, REPRODUCED OR DISCLOSED WITHOUT THE WRITTEN APPROVAL OF BEL FUSE INC.



PORT A
(COMPONENT)



THE SHADED AREA
RECOMMENDED TO
COMPONENT PAD.

PIN-OUT INFORMATION
(COMPONENT SIDE VIEW)

12	GRN (+)/ORG (-)
11	GRN (-)/ORG (+)
10	GND
9	TRDCT1/2/3/4
8	TRD 4+
7	TRD 4-
6	TRD 3+
5	TRD 3-
4	TRD 2+
3	TRD 2-
2	TRD 1+
1	TRD 1-

ORIGINATED BY ANTON LIAD DATE 2012-08-20

DRAWN BY HE ZHEN DATE 2012-08-20

TITLE 2X4 gigabit MagJack®
(8 Cores, with LED)
0863-2X4R-54-F
PATENTED

PART NO. / DRAWING NO.
08632X4R54-F

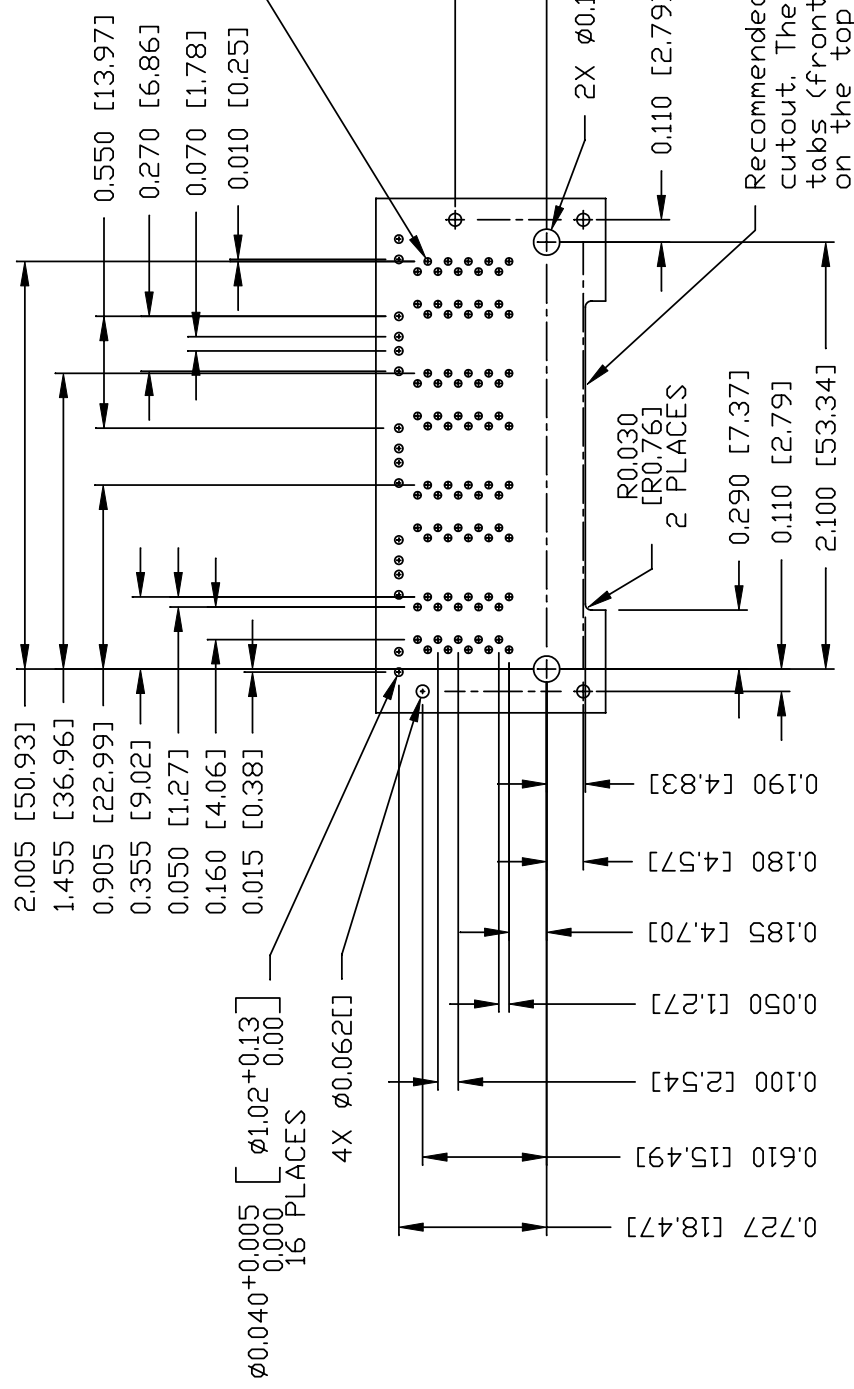
FILE NAME
08632X4R54-F_B.DWG

STANDARD DIM TOL. IN INCH
.X
.XX
.XXX

DC002(2)08111

This document is electronically generated. This is a controlled copy if used internally.

THE INFORMATION CONTAINED HEREIN IS CONSIDERED "PROPRIETARY" TO BEL FUSE, INC. AND SHALL NOT BE COPIED, REPRODUCED OR DISCLOSED WITHOUT THE WRITTEN APPROVAL OF BEL FUSE, INC.



SUGGESTED FOOTPRINT
(COMPONENT SIDE VIEW)

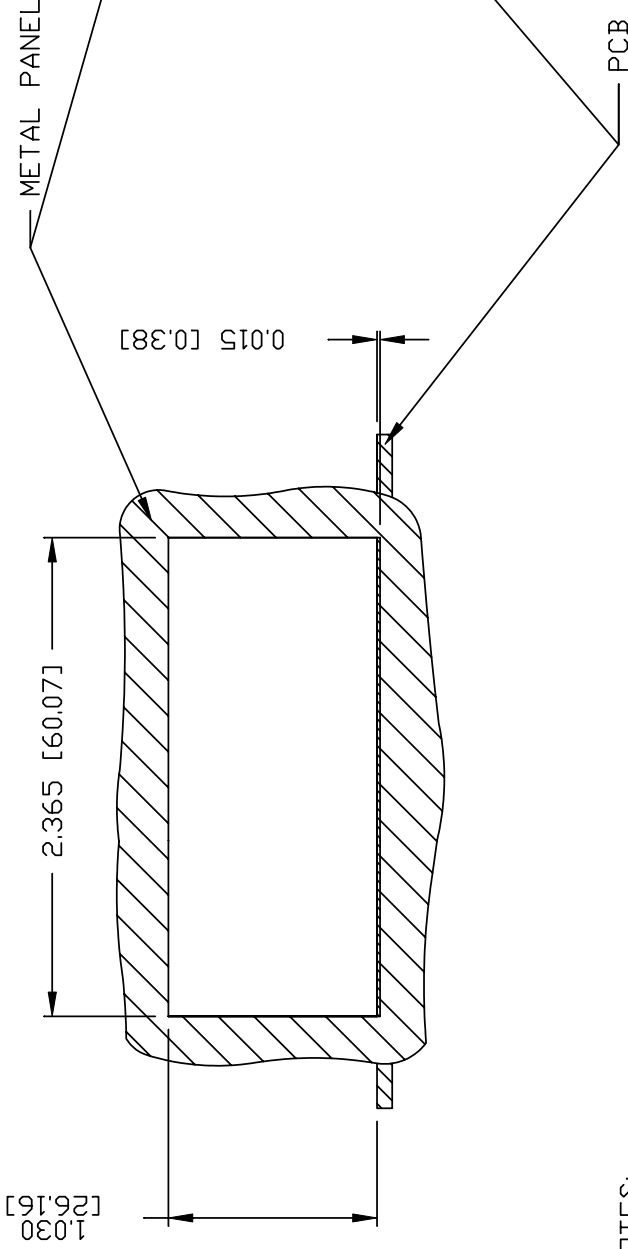
ORIGINATED BY ANTON LIAD	DATE 2012-08-20	TITLE 2X4 gigabit MagJack® (8 Cores, with LED) 0863-2X4R-54-F PATENTED	PART NO. / DRAWING NO. 08632X4R54-F	STANDARD DIM TOL. IN INCH
DRAWN BY HE ZHEN	DATE 2012-08-20		FILE NAME 08632X4R54-F_B.DWG	.X
				.XX
				.XXX
				Ø.00

DC002(2)081111

This document is electronically generated. This is a controlled copy if used internally.

THE INFORMATION CONTAINED HEREIN IS CONSIDERED
 "PROPRIETARY" TO BEL FUSE INC. AND SHALL NOT BE
 COPIED, REPRODUCED OR DISCLOSED WITHOUT THE
 WRITTEN APPROVAL OF BEL FUSE INC.

SUGGESTED PANEL OPENING



NOTES:

THE DISTANCE OF PANEL INSIDE SURFACE RELATIVE TO FRONT SURFACE OF PART
 IN CASE THIS DISTANCE IS DIFFERENT, THE REQUIRED PANEL OPENING DIMENSIONS
PACKING INFORMATION

OR PACKING TRAY : 0200-9999-E7 (TOP)
 0200-9999-E8 (BOTTOM)

PACKING QUANTITY : 20 PCS FINISHED GOODS PER TRAY
 7 TRAYS (140 PCS FINISHED GOODS) PER CARTON BOX

NOTE : CARDBOARDS ARE PLACED BETWEEN LAYERS OF PACKING TRAY INSIDE CARTON
 (INCLUDE THE UPPERMOST AND LOWERMOST TRAY)

ORIGINATED BY ANTON LIAD	DATE 2012-08-20	TITLE 2X4 gigabit MagJack® (8 Cores, with LED) 0863-2X4R-54-F PATENTED	PART NO. / DRAWING NO. 08632X4R54-F	STANDARD DIM TOL. IN INCH .X .XX .XXX
DRAWN BY HE ZHEN	DATE 2012-08-20		FILE NAME 08632X4R54-F_B.DWG	±0.00

DC002(2)081111

This document is electronically generated. This is a controlled copy if used internally.

Looking for pricing, stock, or lifecycle information?

Click below to explore more details on WIN SOURCE:

- [⊖ View 0863-2X4R-54-F on WIN SOURCE](#)
- [⊖ Bel Fuse Inc. Information](#)

Optimize Your Supply Chain with WIN SOURCE Solutions

- ✓ Global Sourcing Solution
- ✓ Obsolete Management
- ✓ Cost Control Management
- ✓ Shortage Management
- ✓ Alternative Solution
- ✓ Excess Inventory Management