

Specification:

1. Electrical Char

Insulation Resistance: 500MΩ min. 500V DC
for 1 minute

Contact Resistance: 20mΩ max.

Rating Current: 1.5A max.

Rating Voltage: 120V AC

Dielectric Voltage: 1000 Vrms at 1MA 60 sec. min.

2. Physical Char

Housing: PBT Glass filled (UL 94V-0) Color: Black

Soldering Temperature: 235°C for 5 sec.

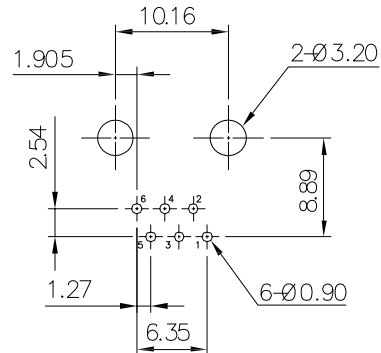
Spring Wire: 0.45mm Dia Phosphor Bronze

6u" Gold plating over Nickel

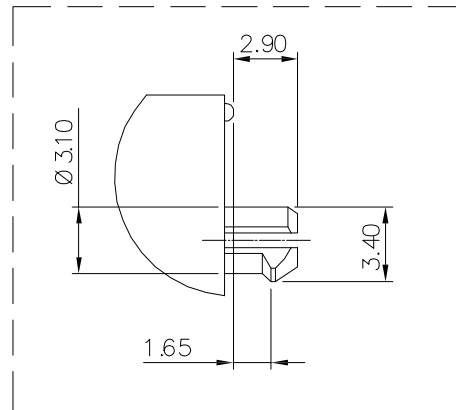
Temperature Range: -40°C to +85°C

Durability: 500 mating cycles min.

3. Packing: Tray



PCB LAYOUT
(Top View)



A(2:1)

RoHS compliant
Unit:mm

Scale	Free						Date	Name	Customer-No.
TOLERANCE						Drawn	12.06.2017	Amy	
.XX	±0.20					Approved	12.06.2017	Amy	ASSMANN WSW-No.
.XXX	±0.13								A-2014-1-4-N-T-R
.XXXX	±0.05								Drawing-No.
DIM	TOL							ASS 7328 CO	rev00
		①	Drawn	12.06.2017	Amy			Replace	SHEET
Angle	+0°30'	Id.	Modification	Date	Name				

1

2

3

4

5

6

7

Looking for pricing, stock, or lifecycle information?

Click below to explore more details on WIN SOURCE:

- ⊖ [View A-2014-1-4-N-T-R](#) on WIN SOURCE
- ⊖ [Assmann WSW Components](#) Information

Optimize Your Supply Chain with WIN SOURCE Solutions

- ✓ Global Sourcing Solution
- ✓ Obsolete Management
- ✓ Cost Control Management
- ✓ Shortage Management
- ✓ Alternative Solution
- ✓ Excess Inventory Management