

T4111401051-000 ✓ ACTIVE



M12 Connector

TE Internal #: T4111401051-000

5 Position Circular Connector, Cable-to-Cable, Sealable, Wire & Cable, Signal, Cable Mount (Free-Hanging), Reverse Gender, Unplated, M12 Connector

[View on TE.com >](#)

Connectors > Circular Connectors > Standard Circular Connectors > M12 Field Installable Unshielded



Connector System: **Cable-to-Cable**

Connector Mounting Type: **Cable Mount (Free-Hanging)**

Number of Positions: **5**

Sealable: **Yes**

Connector & Contact Terminates To: **Wire & Cable**

[All M12 Field Installable Unshielded \(102\)](#)

Features

Product Type Features

Assembly Requirement	Factory Assembled
Circular Connector Shell Type	All Plastic
Connector Product Type	Connector Assembly
Assembly Type	Electrical Connector
Connector System	Cable-to-Cable
Sealable	Yes
Connector & Contact Terminates To	Wire & Cable
Circular Connector Type	Plug
Shell Type	Plastic

Configuration Features

Factory Installed Backshell	No
Number of Positions	5
Number of Power Positions	0



Number of Signal Positions	5
----------------------------	---

Contacts Preloaded	Yes
--------------------	-----

Electrical Characteristics

Operating Voltage	60 VDC
-------------------	--------

Body Features

O-Ring Material	Silicone
-----------------	----------

Environmental Protection	IP67
--------------------------	------

Environmental Protection Type	Elastomer Sealed
-------------------------------	------------------

Primary Product Color	Black
-----------------------	-------

Peripheral Seal Material	Silicone
--------------------------	----------

Shell Plating Material	Unplated
------------------------	----------

Shell Base Material	Plastic
---------------------	---------

Circular Connector Insulation Material Type	Polyamide 66 GF25
---	-------------------

Hermetically Sealed	Yes
---------------------	-----

Contact Features

Contact Current Rating (Max)	4 A
------------------------------	-----

Reverse Gender	Yes
----------------	-----

Circular Connector Contact Type	Pin
---------------------------------	-----

Mechanical Attachment

Mating Retention Type	Threaded Coupling
-----------------------	-------------------

Mating Alignment	With
------------------	------

Connector Mounting Type	Cable Mount (Free-Hanging)
-------------------------	----------------------------

Polarization Code	B
-------------------	---

Mating Alignment Type	Keyed
-----------------------	-------

Housing Features

Circular Connector Shell Size	20
-------------------------------	----

Dimensions

Wire Size	18 – 24 AWG
-----------	-------------

Usage Conditions

IP Dust Sealing Level	6
-----------------------	---

IP Water Sealing Level	IP67
------------------------	------

Operating Temperature Range	-40 – 85 °C[-40 – 185 °F]
-----------------------------	---------------------------



Operation/Application

Durability Rating	100 Cycles
Circuit Application	Signal
Shielded	No

Industry Standards

UL Flammability Rating	UL 94HB
------------------------	---------

Packaging Features

Packaging Quantity	1
--------------------	---

Other

Field Serviceable	Yes
-------------------	-----

Product Compliance

[For compliance documentation, visit the product page on TE.com>](#)

EU RoHS Directive 2011/65/EU	Compliant with Exemptions
EU ELV Directive 2000/53/EC	Compliant with Exemptions
China RoHS 2 Directive MIIT Order No 32, 2016	Restricted Materials Above Threshold
EU REACH Regulation (EC) No. 1907/2006	Current ECHA Candidate List: JAN 2025 (247) Candidate List Declared Against: JAN 2025 (247) SVHC > Threshold: Pb (4% in 8824922364) Article Safe Usage Statements: Do not eat, drink or smoke when using this product. Wash thoroughly after handling. Recycle if possible and dispose of the article by following all applicable governmental regulations relevant to your geographic location.
Halogen Content	Not Low Halogen - contains Br or Cl > 900 ppm.
Solder Process Capability	Not applicable for solder process capability

Product Compliance Disclaimer

This information is provided based on reasonable inquiry of our suppliers and represents our current actual knowledge based on the information they provided. This information is subject to change. The part numbers that TE has identified as EU RoHS compliant have a maximum concentration of 0.1% by weight in homogenous materials for lead, hexavalent chromium, mercury, PBB, PBDE, DBP, BBP, DEHP, DIBP, and 0.01% for cadmium, or qualify for an exemption to these limits as defined in the Annexes of Directive 2011/65/EU (RoHS2). Finished electrical and electronic equipment products will be CE marked as required by Directive 2011/65/EU. Components may not be CE marked. Additionally, the part numbers that TE has identified as EU ELV compliant have a maximum concentration of 0.1% by weight in homogenous materials for lead, hexavalent chromium, and mercury, and 0.01% for cadmium, or qualify for an exemption to these limits as defined in the Annexes of Directive 2000/53/EC (ELV). Regarding the REACH Regulation, the information TE provides on SVHC in articles for this part number is based on the latest European Chemicals Agency (ECHA) 'Guidance on requirements for substances in articles' posted at this URL: <https://echa.europa.eu/guidance-documents/guidance-on-reach>



Compatible Parts



TE Part # T4141412051-010
M12, REAR MOUNTING, F, B CODE, 5P (STU)



TE Part # T4110401051-000
M12, FEMALE, STRAIGHT, B CODE, 5P, PG7, GOLD

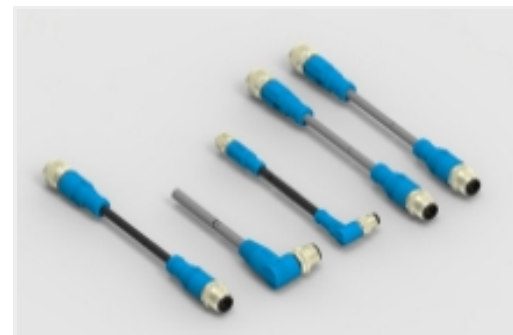
Also in the Series | M12 Connector



Connector Hardware(11)



Connector Seals & Cavity Plugs(4)



M8/M12 Cable Assemblies(230)



Standard Circular Connectors(792)

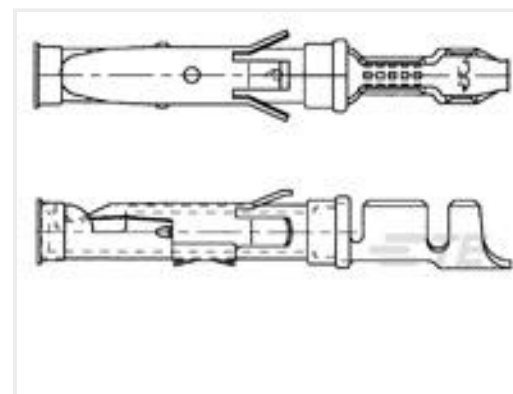
Customers Also Bought



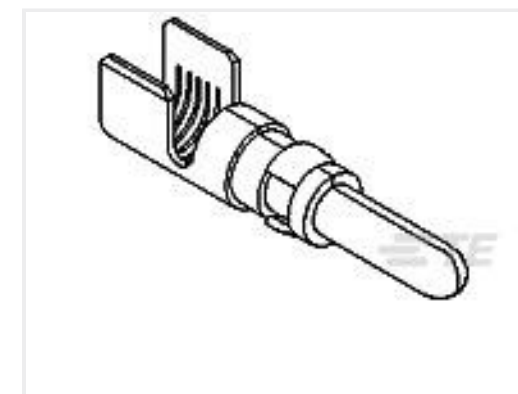
TE Part # T4111001051-000
M12, MALE, STRAIGHT, A CODE, 5P, PG7, GOLD



TE Part # CAT-C73765-M1F
M12 Panel Mount Wire



TE Part # 163083-7
.062 DIA SOC. ASS 3+



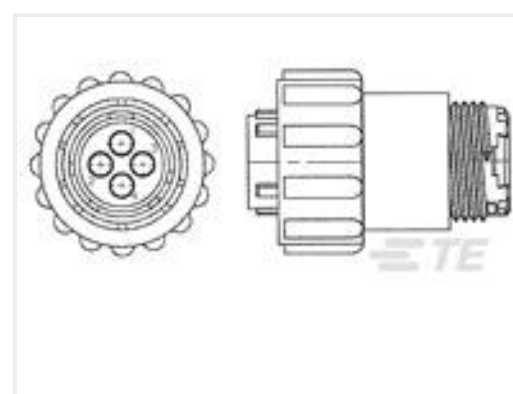
TE Part # 213845-1
POWERBAND CONT ASSY, SILVER PLT



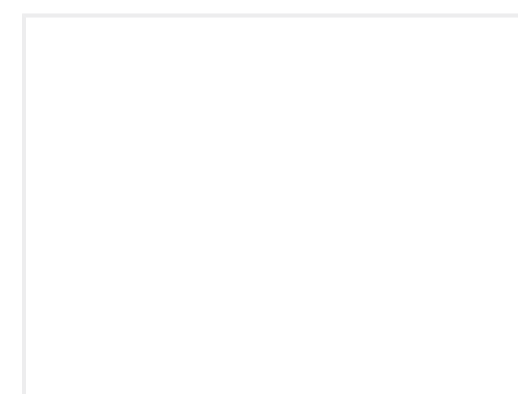
TE Part # 213890-2
CPC RECPT SEALED SIZE 17-3



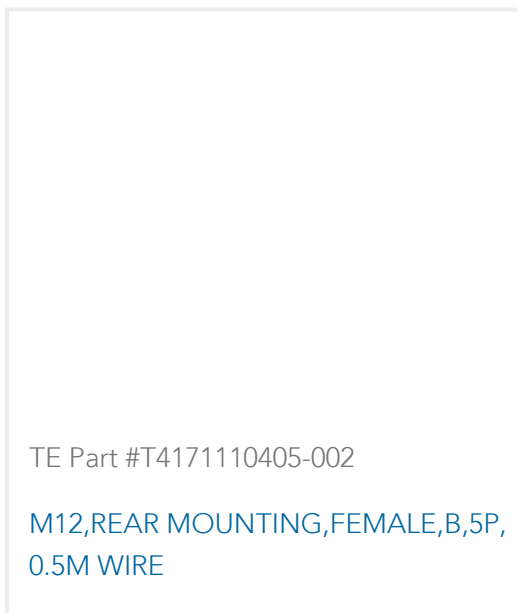
TE Part # 318813-1
EXTRACTION TOOL ASSY



TE Part # 1977881-1
SLD CPC PLUG ASSY, 11-4, REV SEX, UV RESIS



TE Part # DT06-6S-KIT
DT06-6S AND WEG ONLY



Documents

Product Drawings

[M12,MALE,STRAIGHT,B CODE,5P,PG7,GOLD](#)

English

CAD Files

Customer View Model

[ENG_CVM_CVM_T4111401051-000_B.3d_igs.zip](#)

English

Customer View Model

[ENG_CVM_CVM_T4111401051-000_B.3d_stp.zip](#)

English

Customer View Model

[ENG_CVM_CVM_T4111401051-000_B.2d_dxf.zip](#)

English

3D PDF

3D

By downloading the CAD file I accept and agree to the [Terms and Conditions](#) of use.

Datasheets & Catalog Pages

[M8 / M12 Connector System Catalog](#)

Japanese

[M8 / M12 Connector System Catalog](#)

English

Product Specifications

[Application Specification](#)

English

Agency Approvals

[UL](#)

English

Looking for pricing, stock, or lifecycle information?

Click below to explore more details on WIN SOURCE:

[View T4111401051-000 on WIN SOURCE](#)

[TE Connectivity Information](#)

Optimize Your Supply Chain with WIN SOURCE Solutions

- ✓ Global Sourcing Solution
- ✓ Obsolete Management
- ✓ Cost Control Management
- ✓ Shortage Management
- ✓ Alternative Solution
- ✓ Excess Inventory Management