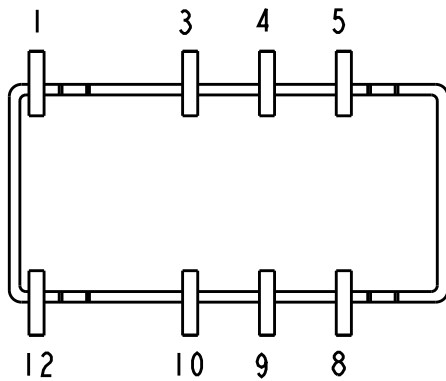
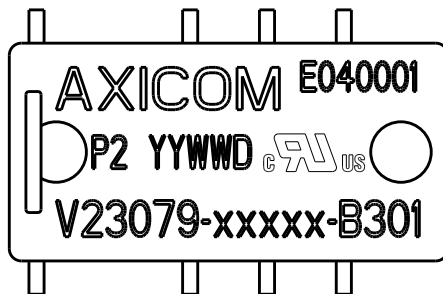
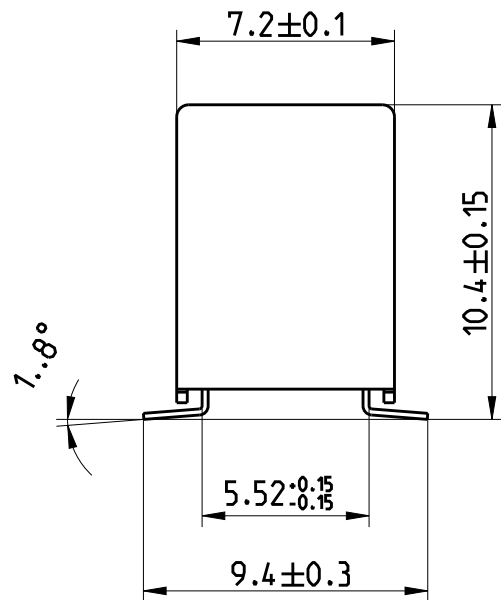
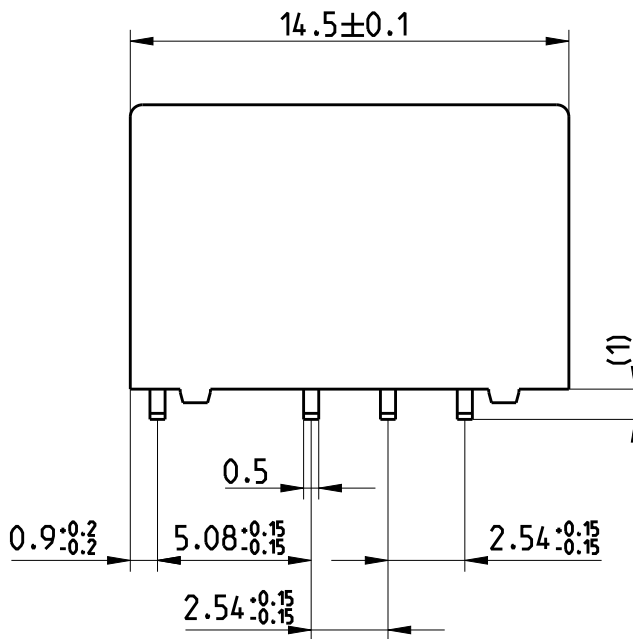


LOC	DIST	REVISIONS					
HJ	-	P	LTR	DESCRIPTION	DATE	DWN	APVD
		C3		ECR-16-015097	25-Oct-16	JK	PH



Relay - bottom view



xxxxx = Relay type
YYWWD = Date code

DRAWING ALIAS C23303-A079-A004

2006

RELEASED FOR PUBLICATION

ALL RIGHTS RESERVED.

THIS DRAWING IS UNPUBLISHED.

© COPYRIGHT 2006

DIMENSIONS: mm	DWN Jan Kadlec	25-Oct-16	MATERIAL	-	FINISH	-	
	CHK Robert Kaspar	25-Oct-16	TE Connectivity				
TOLERANCES UNLESS OTHERWISE SPECIFIED: DIN 7168-m	APVD Petr Hofman	25-Oct-16					
0 PLC ±-	PRODUCT SPEC	-	NAME P2-Relay SMT W Dimensions				
1 PLC ±	APPLICATION SPEC	-					
2 PLC ±	WEIGHT	-	SIZE	A4	CAGE CODE	C-1393788-4	
3 PLC ±	CUSTOMER DRAWING	SCALE	4:	SHEET	1	OF	1
4 PLC ±			REV		C3		
ANGLES ±-							

Looking for pricing, stock, or lifecycle information?

Click below to explore more details on WIN SOURCE:

- ⊖ [View 1422007-8 on WIN SOURCE](#)
- ⊖ [TE Connectivity Information](#)

Optimize Your Supply Chain with WIN SOURCE Solutions

- ✓ Global Sourcing Solution
- ✓ Obsolete Management
- ✓ Cost Control Management
- ✓ Shortage Management
- ✓ Alternative Solution
- ✓ Excess Inventory Management