

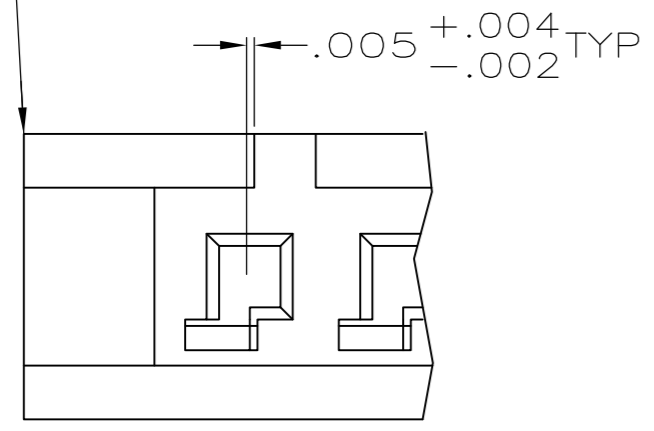
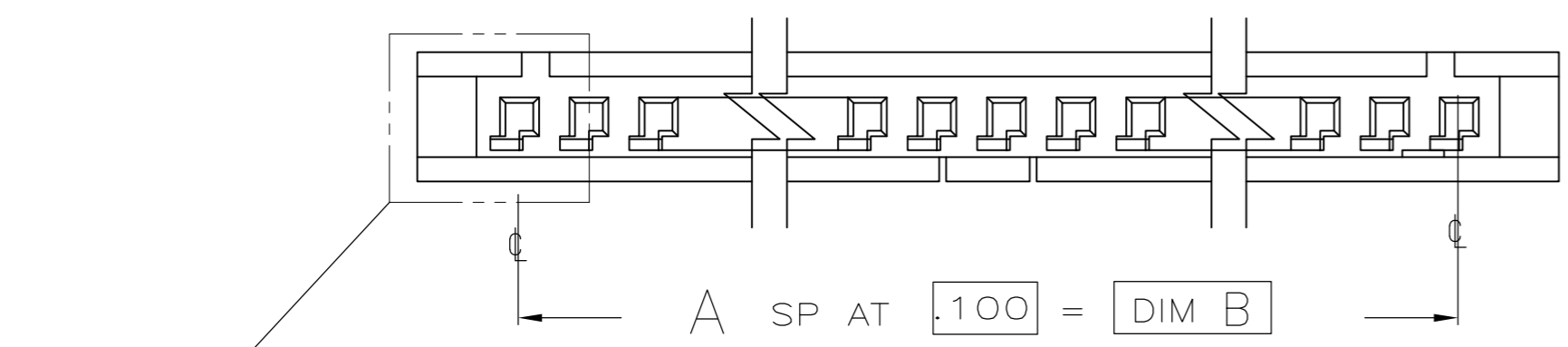
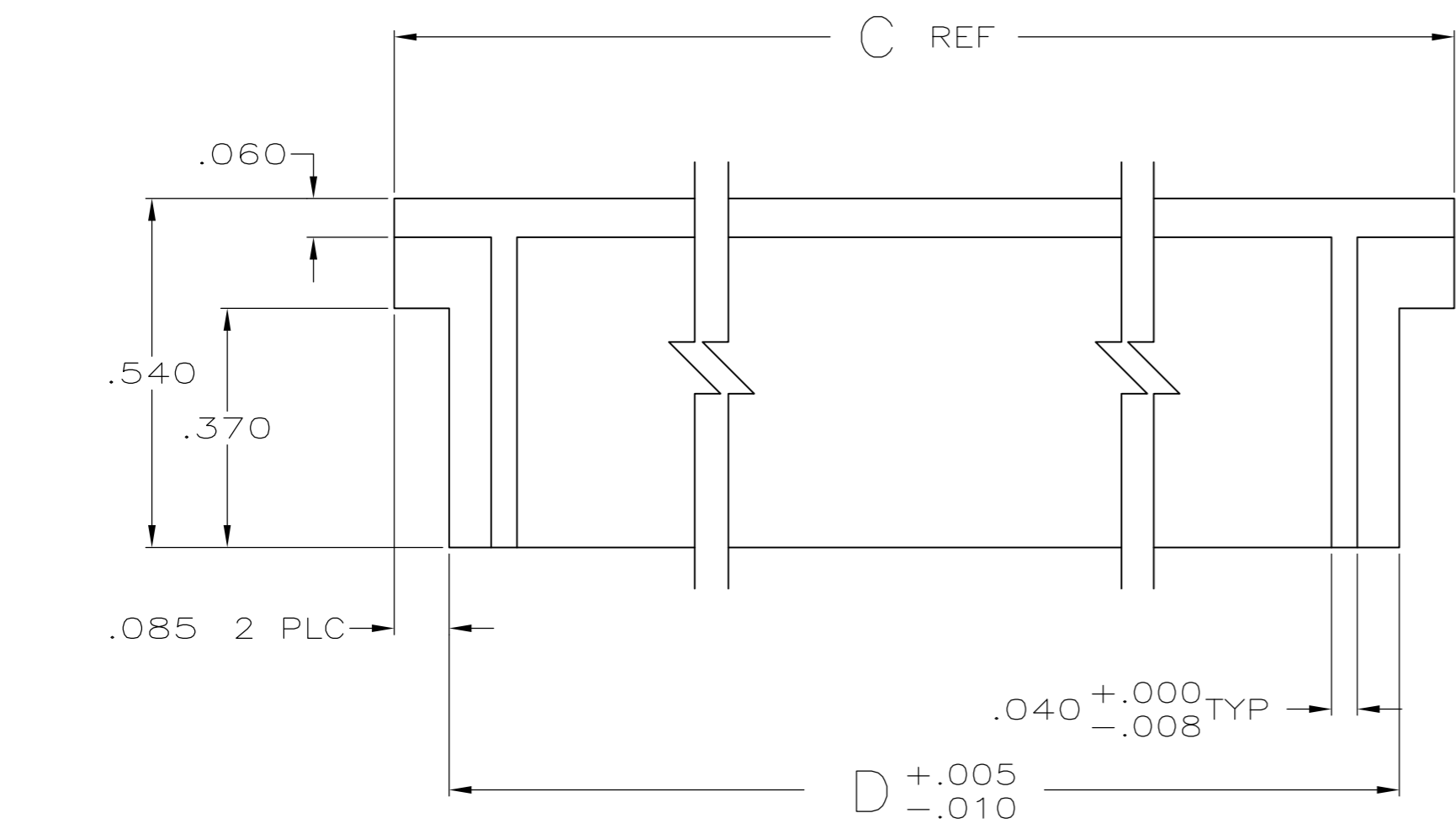
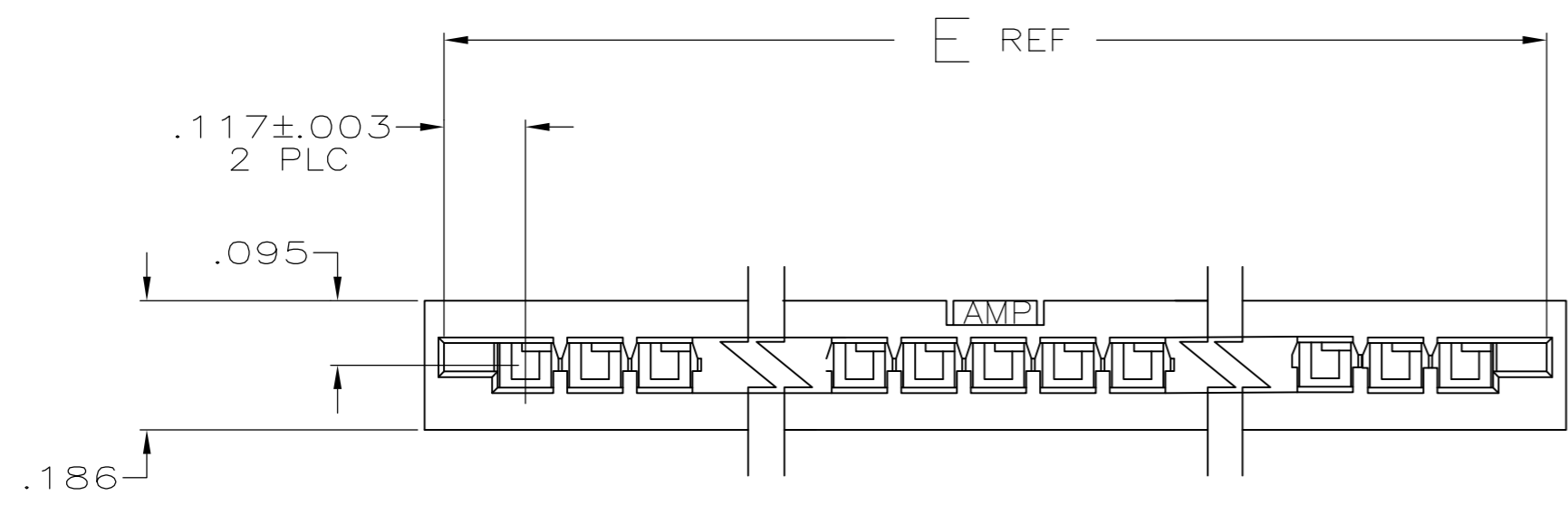


**THE DATASHEET OF**  
**88859-3**



THIS DRAWING IS UNPUBLISHED. RELEASED FOR PUBLICATION  
 © COPYRIGHT - By - ALL RIGHTS RESERVED.

| LOC |     | DIST        |                           | REVISIONS |         |      |     |
|-----|-----|-------------|---------------------------|-----------|---------|------|-----|
| P   | LTR | DESCRIPTION |                           | DATE      | DWN     | APVD |     |
| GP  | 00  | W2          | REVISED PER ECO-11-004835 |           | 11MAR11 | RK   | HMR |



SCALE 8:1

- 1 GLASS-FILLED PBT, BLACK, UL V-0.
- 2 OBSOLETE PARTS: OBSOLETE CIS STREAMLINING PER D.RENAUD/D.SINISI

|          | 3.634 | 3.520 | 3.690 | 3.400 | 34         | 35          | 3-88859-3 |
|----------|-------|-------|-------|-------|------------|-------------|-----------|
| OBSOLETE | 3.534 | 3.420 | 3.590 | 3.300 | 33         | 34          | 3-88859-2 |
| OBSOLETE | 3.434 | 3.320 | 3.490 | 3.200 | 32         | 33          | 3-88859-1 |
|          | 3.334 | 3.220 | 3.390 | 3.100 | 31         | 32          | 3-88859-0 |
| OBSOLETE | 3.234 | 3.120 | 3.290 | 3.000 | 30         | 31          | 2-88859-9 |
| OBSOLETE | 3.134 | 3.020 | 3.190 | 2.900 | 29         | 30          | 2-88859-8 |
|          | 3.034 | 2.920 | 3.090 | 2.800 | 28         | 29          | 2-88859-7 |
| OBSOLETE | 2.934 | 2.820 | 2.990 | 2.700 | 27         | 28          | 2-88859-6 |
| OBSOLETE | 2.834 | 2.720 | 2.890 | 2.600 | 26         | 27          | 2-88859-5 |
| OBSOLETE | 2.734 | 2.620 | 2.790 | 2.500 | 25         | 26          | 2-88859-4 |
| OBSOLETE | 2.634 | 2.520 | 2.690 | 2.400 | 24         | 25          | 2-88859-3 |
| OBSOLETE | 2.534 | 2.420 | 2.590 | 2.300 | 23         | 24          | 2-88859-2 |
| OBSOLETE | 2.434 | 2.320 | 2.490 | 2.200 | 22         | 23          | 2-88859-1 |
| OBSOLETE | 2.334 | 2.220 | 2.390 | 2.100 | 21         | 22          | 2-88859-0 |
| OBSOLETE | 2.234 | 2.120 | 2.290 | 2.000 | 20         | 21          | 1-88859-9 |
| OBSOLETE | 2.034 | 1.920 | 2.090 | 1.800 | 18         | 19          | 1-88859-8 |
| OBSOLETE | 1.934 | 1.820 | 1.990 | 1.700 | 17         | 18          | 1-88859-7 |
| OBSOLETE | 1.834 | 1.720 | 1.890 | 1.600 | 16         | 17          | 1-88859-6 |
|          | 1.734 | 1.620 | 1.790 | 1.500 | 15         | 16          | 1-88859-5 |
|          | 1.234 | 1.120 | 1.290 | 1.000 | 10         | 11          | 1-88859-4 |
|          | 1.034 | .920  | 1.090 | .800  | 8          | 9           | 1-88859-3 |
|          | .834  | .720  | .890  | .600  | 6          | 7           | 1-88859-2 |
|          | .634  | .520  | .690  | .400  | 4          | 5           | 1-88859-1 |
|          | .534  | .420  | .590  | .300  | 3          | 4           | 1-88859-0 |
|          | .434  | .320  | .490  | .200  | 2          | 3           | 88859-9   |
|          | 2.134 | 2.020 | 2.190 | 1.900 | 19         | 20          | 88859-8   |
|          | 1.534 | 1.420 | 1.590 | 1.300 | 13         | 14          | 88859-7   |
|          | 1.634 | 1.520 | 1.690 | 1.400 | 14         | 15          | 88859-6   |
|          | 1.434 | 1.320 | 1.490 | 1.200 | 12         | 13          | 88859-5   |
|          | 1.334 | 1.220 | 1.390 | 1.100 | 11         | 12          | 88859-4   |
|          | 1.134 | 1.020 | 1.190 | .900  | 9          | 10          | 88859-3   |
|          | .934  | .820  | .990  | .700  | 7          | 8           | 88859-2   |
|          | .734  | .620  | .790  | .500  | 5          | 6           | 88859-1   |
| E        | D     | C     | B     | A     | NO OF POSN | PART NUMBER |           |

THIS DRAWING IS A CONTROLLED DOCUMENT.


|                  |                               |        |
|------------------|-------------------------------|--------|
| DWN              | H MOLL                        | 6-8-88 |
| CHK              | G.D. MILLER                   | 8-4-88 |
| APVD             | -                             | -      |
| PRODUCT SPEC     | -                             | -      |
| APPLICATION SPEC | -                             | -      |
| WEIGHT           | -                             | -      |
| CUSTOMER DRAWING | SCALE 4:1 SHEET 1 of 1 REV W2 |        |

TE Connectivity  
 HOUSING, RECEPTACLE, FFC, .100 CL

SIZE A2 CAGE CODE 00779 DRAWING NO C-88859 RESTRICTED TO -

## Looking for pricing, stock, or lifecycle information?

Click below to explore more details on WIN SOURCE:

 [View 88859-3 on WIN SOURCE](#)

 [TE Connectivity](#) Information

## Optimize Your Supply Chain with WIN SOURCE Solutions

-  Global Sourcing Solution
-  Obsolete Management
-  Cost Control Management
-  Shortage Management
-  Alternative Solution
-  Excess Inventory Management