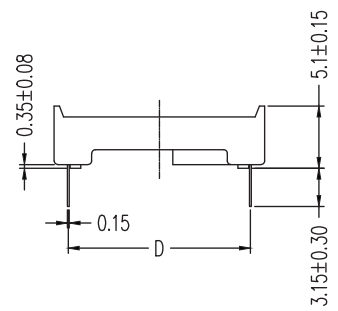
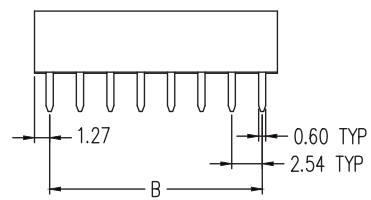
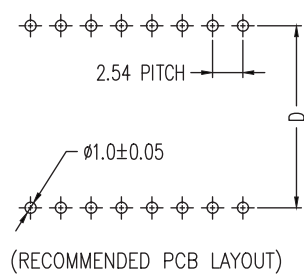
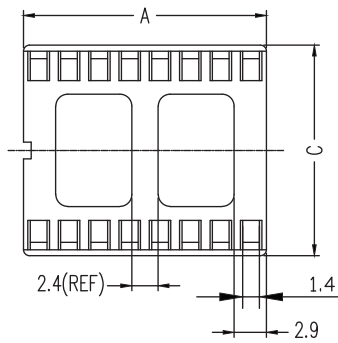
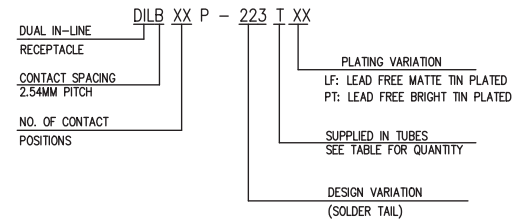


CATALOG NO	NO.OF CONTACTS	TABLE OF DIMENSIONS			
		A±0.30	B±0.25	C±0.30	D±0.20
DILB8P-223TXX	8P	10.16	7.62	10.16	7.62
DILB14P-223TXX	14P	17.78	15.24		
DILB16P-223TXX	16P	20.32	17.78		
DILB18P-223TXX	18P	22.86	20.32		
DILB20P-223TXX	20P	25.40	22.86		
DILB24P-224TXX	24P	30.48	27.94	17.78	15.24
DILB24P-223TXX	24P	30.48	27.94		
DILB28P-223TXX	28P	35.56	33.02		
DILB32P-223TXX	32P	40.64	38.10		
DILB40P-223TXX	40P	50.80	48.26		
DILB42P-223TXX	42P	53.34	50.80		



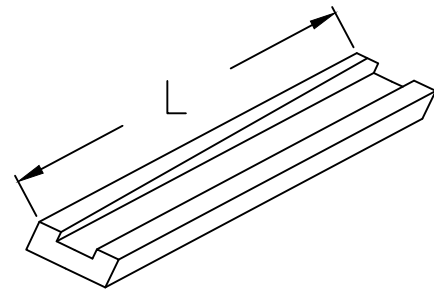
NOTES

- MATERIALS
HOUSING: POLYAMIDE, UL94V-0 COLOR IN BLACK.
CONTACT: COPPER ALLOY.
- FINISH
100u" MIN. MATTE OR BRIGHT TIN OVER 50u" MIN. NICKEL.
- PERFORMANCE CHARACTERISTICS
A) OPERATING VOLTAGE: 200VAC;
B) CONTACT RESISTANCE: 30 MILLIOHMS MAX. AT 6 VDC;
C) CURRENT RATING: 1 AMP. MAX.;
D) OPERING TEMPERATURE: CONTINUOUS, -55°C TO 105°C;
E) INSULATION RESISTANCE: 1000 MEGAOHMS MIN AT 500 VDC;
F) DIELECTRIC WITHSTANDING VOLTAGE: 1000 VAC RMS MIN.;
G) DURABILITY: NO ELECTRICAL DEGRADATION AFTER 25 CYCLES;
H) THERMAL SHOCK: NO PHYSICAL OR ELECTRICAL DEGRADATION PER MIN-STD-1344, METHOD 1003, COND A;
I) MOISTURE RESISTANCE: 300 MEGAOHMS MIN PER MIL-STD-202, METHOD 106. OMIT STEPS 7a AND 7b;
J) VIBRATION: NO ELECTRICAL INTERRUPTION GREATER THAN 1 MICROSECOND PER MIL-STD-1344. METHOD 2005 COND III;
K) MECHANICAL SHOCK: NO ELECTRICAL INTERRUPTION GREATER THAN 1 MICROSECOND WHEN 17.64 oz (500g)S APPLIED FOR 0.75 MILLISECONDS;
L) FLAMMABILITY: UL94 V-0;
M) INSERTION FORCE 340.2g /CONTACT MAX.;
WITHDRAWAL FORCE: 14.5g/CONTACT MIN.;
- ORDERING INFORMATION

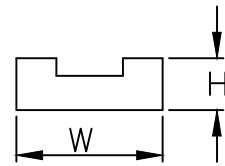


- DILBXXP-22XTLF: THE HOUSING WILL WITHSTAND EXPOSURE TO 260° PER PERK TEMPERATURE FOR 10 SECONDS IN A WAVE SOLDER APPLICATION.
- RECEPTACLE ACCEPTS 0.15 +/-0.03 mm THICK IC LEAD.

mat'l. code		surface ISO1302		tolerance ISO406 ISO1101		projection		product family	
ltr		ecn no		dr		date		tolerances unless otherwise specified	
A		T05-0016		W.L		2005-01-24		angles	
B		T06-0053		J.H		2006-03-28		.X ± 0.3	
C		T06-0068		J.H		2006-07-07		.XX ± 0.2	
D		ELX-I-24650		SAL		2016-08-03		.XXX ± 0.05	
E		ELX-I-24704		SAL		2016-08-11		dr	
F		ELX-I-26235		J.J		2017-03-03		WADE LIU 2005-01-05	
								WADE LIU 2005-01-05	
								S. ALOSUS 2017-03-03	
								BUU K PAUL 2017-03-03	
sheet index		revision sheet		F		F		appd	
1		2							
								product family	
								EDGE CARD	
								title	
								DILB ASSEMBLY	
								scale 1:1	
								dwg no	
								sheet 1 of 2	
								size	
								A4	
								type	
								Product-Customer Drw	



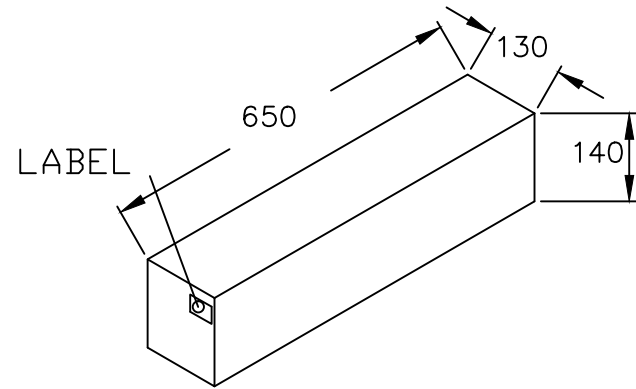
L	635	635
W	136	136
H	116	116



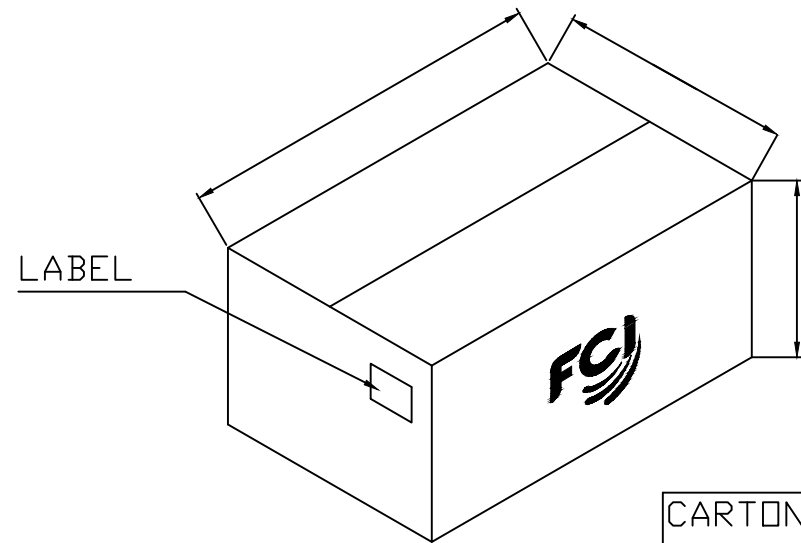
TUBE

DILB PACKING LIST FOR TUBE

Part Number	Pin Count	Length (mm)	Width (mm)	Height (mm)	Weight (g)	Quantity
DILB8P-223TXX	8P	60	100	6000	3	18000
DILB14P-223TXX	14P	34	100	3400	3	10200
DILB16P-223TXX	16P	30	100	3000	3	9000
DILB18P-223TXX	18P	26	100	2600	3	7800
DILB20P-223TXX	20P	24	100	2400	3	7200
DILB24P-224TXX	24P	20	100	2000	3	6000
DILB24P-223TXX	24P	20	60	1200	3	3600
DILB28P-223TXX	28P	17	60	1020	3	3060
DILB32P-223TXX	32P	15	60	900	3	2700
DILB40P-223TXX	40P	12	60	720	3	2160
DILB42P-223TXX	42P	11	60	660	3	1980



BOX





CARTON

mat'l. code		surface ISO1302 <input checked="" type="checkbox"/> ISO406 ISO1101		tolerance ISO406 ISO1101		projection 		product family EDGE CARD	
ltr	ecn no	dr	date	tolerances unless otherwise specified		MM		title	
D	ELX-I-24650	SAL	2016-08-03	angles	.X ± 0.3	← →		DILB ASSEMBLY	
E	ELX-I-24704	SAL	2016-08-11	lineal	.XX ± 0.2	scale 1:1		dwg no	
F	ELX-I-26235	J.J	2017-03-03	0° ± 2'	.XXX ± 0.05	Amphenol FCI		sheet 2 of 2	
sheet index		revision sheet		dr		WADE LIU		10052485	
1		2		engr		WADE LIU		A4	
				chr		S. ALOSUIS		type	
				appd		BUU K PAUL		Product-Customer Drw	

Looking for pricing, stock, or lifecycle information?

Click below to explore more details on WIN SOURCE:

-  [View DILB8P-223TLF on WIN SOURCE](#)
-  [Amphenol FCI Information](#)

Optimize Your Supply Chain with WIN SOURCE Solutions

-  Global Sourcing Solution
-  Obsolete Management
-  Cost Control Management
-  Shortage Management
-  Alternative Solution
-  Excess Inventory Management