



**THE DATASHEET OF
S8101-46R**



Customer Information Sheet

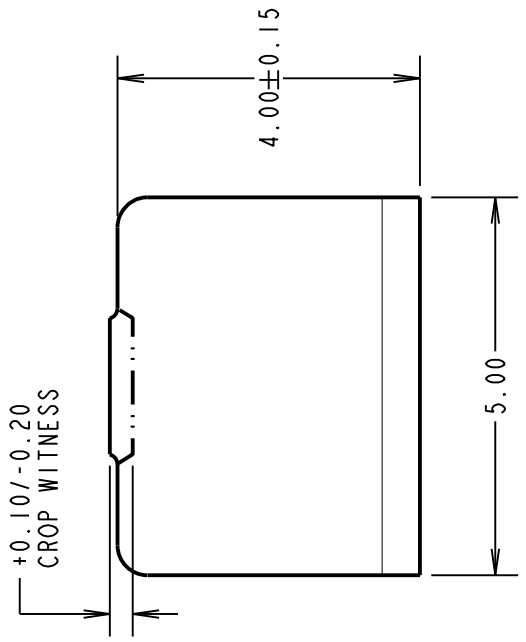
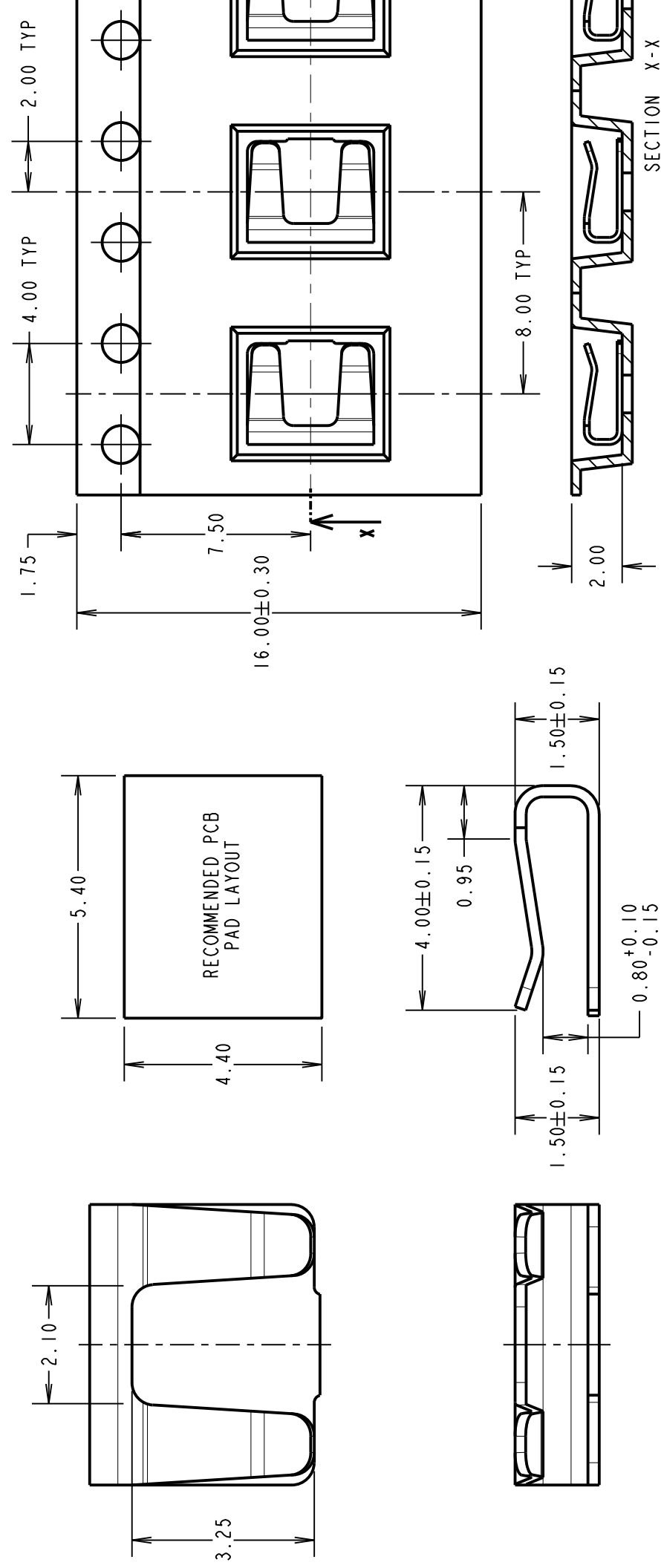
DRAWING No.: S8101-46R

SHEET 2 OF 2

IF IN DOUBT - ASK

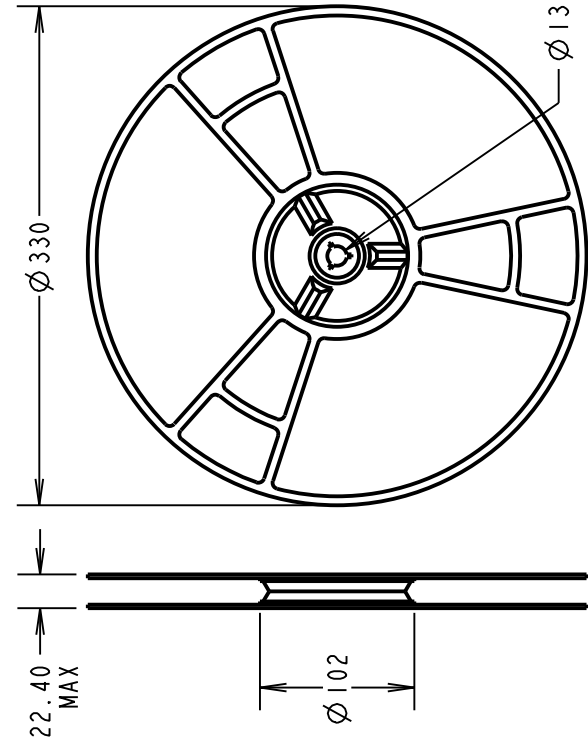
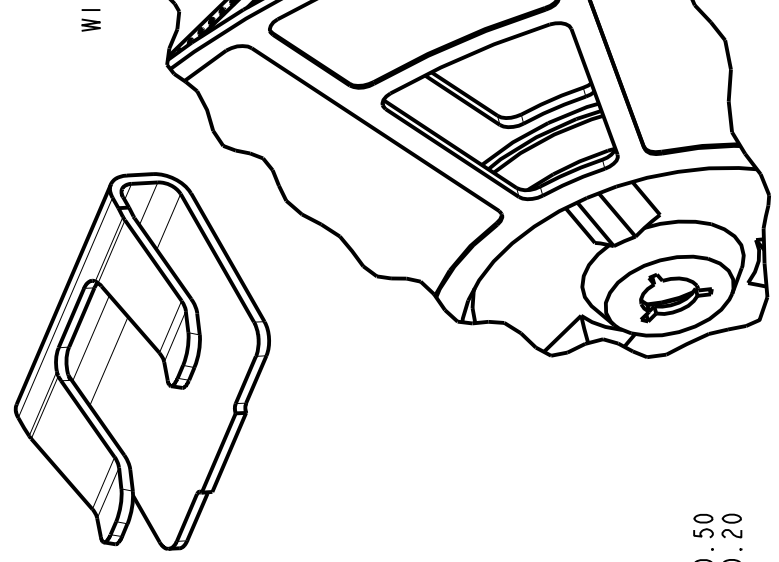
(C)

NOT TO SCALE



COMPONENT SPECIFICATION:
 MATERIAL: PHOSPHOR BRONZE
 FINISH: ROHS TIN OVER NICKEL
 CAPACITY MAX: 2 x ϕ 1.0mm WIRES
 COAX USAGE:
 SUITABLE FOR USE AS A COAXIAL BRAID/SCREEN
 GROUNDING CLIP WITH RG178, RG179 AND RG316 TYPE CABLE.

NOTES:
 1. QUANTITY OF COMPONENTS PER REEL = 3000.
 2. THIS PRODUCT IS TAPED AND REELED IN ACCORDANCE WITH EIA-481 (ELECTRONICS INDUSTRIES ASSOCIATION).



HARWIN

HARWIN USA
 TEL: 603 893 5376
 FAX: 603 893 5396
 mis@harwin.com

HARWIN Europe (UK)
 TEL: 023 9231 4545
 FAX: 023 9231 4590
 mis@harwin.co.uk

HARWIN Asia
 TEL: +65 6 779 4909
 FAX: +65 6 779 3868
 mis@harwin.com.sg

THIS DRAWING AND ANY INFORMATION OR DESCRIPTIVE MATTER SET OUT HEREON ARE CONFIDENTIAL AND COPYRIGHT PROPERTY OF THE HARWIN GROUP AND MUST NOT BE DISCLOSED, LOANED, COPIED OR USED FOR MANUFACTURING, TENDERING OR FOR ANY OTHER PURPOSE WITHOUT THEIR WRITTEN PERMISSION.

TOLERANCES
 X. = ± 1 mm
 X.X = ± 0.25 mm
 X.XX = ± 0.10 mm
 X.XXX = ± 0.01 mm
 ANGLES = $\pm 5^\circ$
 UNLESS STATED

MATER

FINISH

S/AR

Looking for pricing, stock, or lifecycle information?

Click below to explore more details on WIN SOURCE:

 [View S8101-46R on WIN SOURCE](#)

 [Harwin Inc. Information](#)

Optimize Your Supply Chain with WIN SOURCE Solutions

-  Global Sourcing Solution
-  Obsolete Management
-  Cost Control Management
-  Shortage Management
-  Alternative Solution
-  Excess Inventory Management