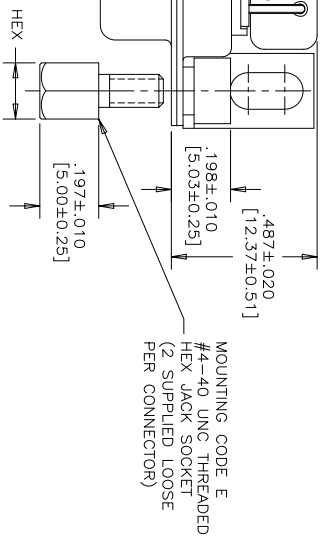




B C D E F



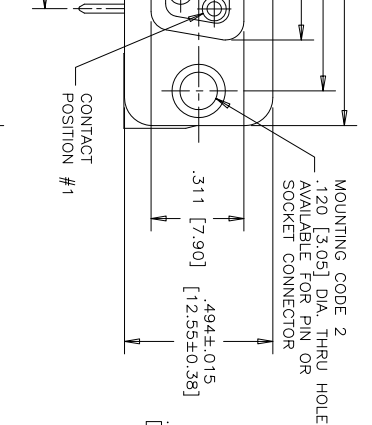
MOUNTING CODE E  
#4-40 UNC THREADED  
HEX JACK SOCKET  
(2 SUPPLIED LOOSE  
PER CONNECTOR)

ORDERING CODE: FCC17 - E09PA - 24BG  
SERIES \_\_\_\_\_  
FCC17=FILTERED D-SUB  
SIZE/NUMBER OF CONTACTS  
E09, A15, B25, OR C37  
CONNECTOR STYLE \_\_\_\_\_  
P=PIN  
S=SOCKET  
TERMINATION TYPE \_\_\_\_\_  
A=.318" [8.08] FOOTPRINT

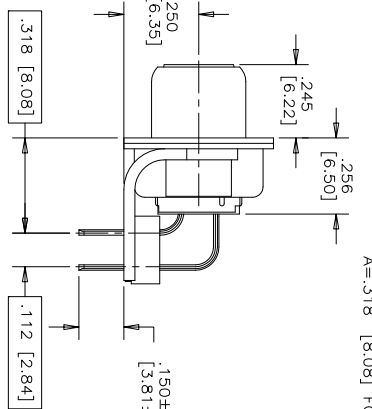
REVISIONS

REV	EON, ERN NO.	DATE	APPRD.
F	PRODUCT DRAWING (EAR 14155)	JAN21/13	K.L.

CONTACT FINISH/GOLD THICKNESS  
NO DIGIT=STANDARD 15 MICRONS  
[0.38 MICRONS] GOLD ON  
MATING AREA  
G=50 MICRONS [1.27 MICRONS]  
GOLD ON MATING AREA  
MODIFIER  
B=METAL MOUNTING BRACKETS



MOUNTING CODE 2  
.120 [3.05] DIA. THRU HOLE  
AVAILABLE FOR PIN OR  
SOCKET CONNECTOR

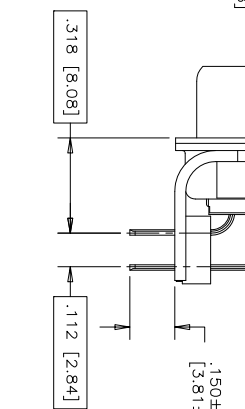
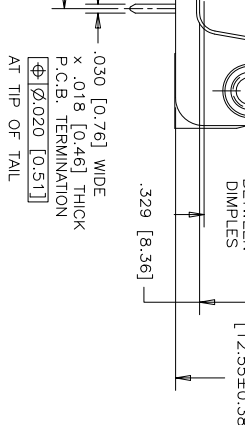


MOUNTING CODE 3, 4 OR 6  
THREADED HOLE  
AVAILABLE FOR PIN  
OR SOCKET CONNECTOR

CONTACT RESISTANCE: 15 MILLIOHMS MAXIMUM  
INSULATION RESISTANCE: 3000 MEGOHMS MINIMUM  
CURRENT RATING: 5 AMPS MAXIMUM  
OPERATING TEMPERATURE: -40°C TO 85°C  
TOLERANCE UNLESS INDICATED OTHERWISE: ±.005 [0.13]

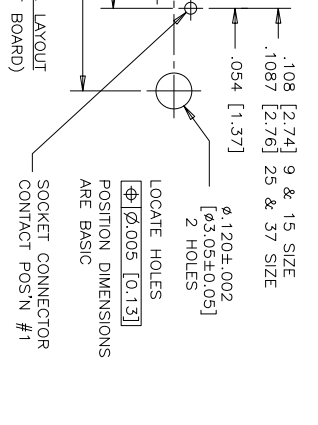
NOTES:

1. MATERIALS:  
- SHELL: STEEL, TIN PLATED  
- CONTACTS: PHOSPHOR BRONZE, PLATED WITH GOLD OVER 50µ [1.27 MICRONS] MINIMUM NICKEL IN THE MATING AREA AND 100µ [2.54 MICRONS] MINIMUM TIN-LEAD ON THE TAILS.  
- INSULATOR: ENGINEERING THERMOPLASTIC, GLASS REINFORCED, UL FLAMMABILITY RATING 94V-0, COLOUR: BLACK  
- MOUNTING HARDWARE, STEEL OR COPPER ALLOY, TIN OR NICKEL PLATED.

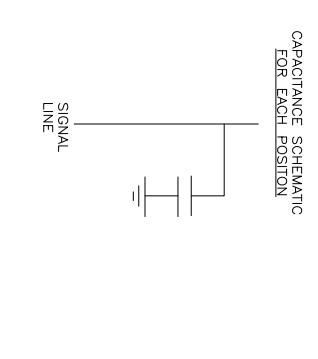


CAPACITANCE SCHEMATIC  
FOR EACH POSITION

SIZE	STYLE	A±.015 [0.38]	B±.005 [0.13]	C±.005 [0.13]	D±.005 [0.13]	E BSC. [1.097]
E09	PIN	1.213 [30.81]	-.666 [16.92]	.984 [24.99]	.984 [24.99]	.432 [10.97]
A15	SOCKET	1.541 [39.14]	-.994 [25.25]	1.312 [33.32]	1.312 [33.32]	.756 [19.20]
B25	PIN	2.088 [53.04]	-.971 [24.66]	1.534 [38.96]	1.534 [38.96]	1.304 [33.12]
C37	SOCKET	2.729 [69.32]	1.511 [38.38]	1.852 [47.04]	1.852 [47.04]	1.956 [49.68]
	PIN		2.159 [54.84]	2.182 [55.42]	2.500 [63.50]	
	SOCKET					



LOCATE HOLES  
POSITION DIMENSIONS  
ARE BASIC  
SOCKET CONNECTOR  
CONTACT POSN #1



Amphenol Canada Corp.



DRAWN	LESSAJEE	DATE
DESIGNED		99/03/04
CHECKED	K.LAMBIE	99/09/29
I. E. APPRD.		
Q. A. APPRD.		
DWG. APPRD.		
ENG. REL. NO.		

TITLE  
FCC17 SERIES FILTERED D-SUB CONNECTOR,  
PIN & SOCKET, RIGHT ANGLE .318 [8.08] F/P,  
METAL MOUNTING BRACKET

REV. F

## Looking for pricing, stock, or lifecycle information?

Click below to explore more details on WIN SOURCE:

-  [View FCC17-E09SA-41B on WIN SOURCE](#)
-  [Amphenol Commercial Products Information](#)

## Optimize Your Supply Chain with WIN SOURCE Solutions

-  Global Sourcing Solution
-  Obsolete Management
-  Cost Control Management
-  Shortage Management
-  Alternative Solution
-  Excess Inventory Management