

### General Description

The SY21249C1 high-efficiency synchronous step-down DC/DC regulator is capable of delivering 11A current over a wide input voltage range of 5.5V to 24V. To minimize conduction loss, it integrates a main switch and a synchronous switch with very low  $R_{DS(ON)}$ . It operates at a pseudoconstant frequency of 600kHz under heavy load conditions to minimize inductor and capacitor sizes.

The SY21249C1 also provides a fixed 5V LDO with 100mA current capability, which can be used to power external peripherals. Under light load conditions, the LDO can be switched over to the buck regulator output to reduce power loss.

Silergy's constant on-time (COT) ripple-based control strategy supports high input/output voltage ratios (low duty cycles), and fast transient response while maintaining a near-constant operating frequency over line, load, and output voltage ranges. This control method provides stable operation without complex compensation, even with low-ESR ceramic capacitors.

The SY21249C1 offers protection against multiple conditions, including cycle-by-cycle current limit, input undervoltage lockout, output undervoltage and overvoltage protection, internal soft-start, and thermal shutdown.

The SY21249C1 is available in a compact QFN3mm×4mm-13 package.

### Features

- 5.5–24V Input Voltage Range
- Up to 11A Output Current
- 100mA LDO Current
- Low  $R_{DS(ON)}$  for Internal Switches: 17mΩ Top, 7.5mΩ Bottom
- Integrated 1.5Ω Bypass Switch
- COT Ripple-Based Control to Achieve Fast Transient Responses
- Soft-Start Inrush Current Limit
- Pseudoconstant Frequency: 600kHz
- Fixed 5.15V Output Voltage
- ±1.5% Internal Reference Voltage
- PFM/Ultrasonic (USM) Selectable Light-Load Operation Mode
- Power-Good Indicator
- Output-Discharge Function
- Cycle-by-Cycle Valley/Peak Current Limit
- Buck Protection: Latch-Off Mode Output Undervoltage (UVP), Overvoltage (OVP) and Overtemperature (OTP)
- LDO Protection: Auto-Recovery Mode, Output Undervoltage and Overtemperature
- Input Undervoltage (UVLO)
- RoHS-Compliant and Halogen-Free
- Compact Package: QFN3mm×4mm-13

### Applications

- LCD TV/3DTV
- Set-Top Box
- Notebook
- High-Power AP

### Typical Application

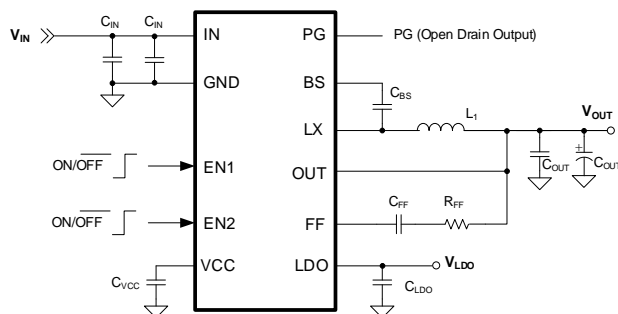


Figure 1. Typical Application Circuit

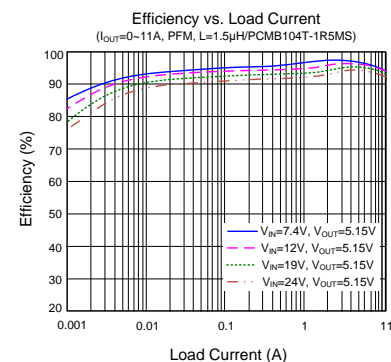


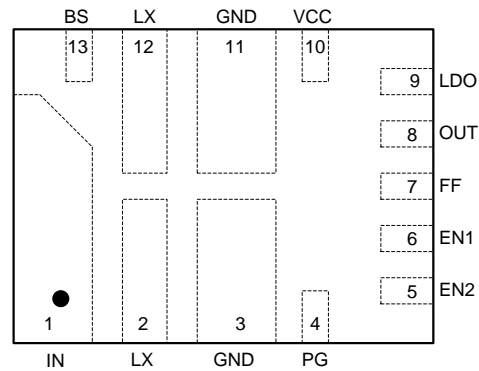
Figure 2. Efficiency vs. Output Current

## Ordering Information

Ordering Part Number	Package Type	Top Mark
SY21249C1TMC	QFN3mm×4mm-13 RoHS-Compliant and Halogen-Free	DTRxyz

*x = year code, y = week code, z = lot number code*

## Pinout (top view)



## Pin Description

Pin No	Pin Name	Pin Description
1	IN	Input pin. Decouple this pin to the GND pin with at least a 20 $\mu$ F ceramic capacitor. A 0.1 $\mu$ F input ceramic capacitor is recommended to reduce input noise.
2, 12	LX	Inductor pin. Connect this pin to the switching node of the inductor.
3, 11	GND	Ground pin.
4	PG	Power-good indicator. Open-drain output when the output voltage is within 90% to 120% of the regulation point.
5	EN2	Enable control of the IC and internal LDO. Pull this pin high to turn on the IC and the internal LDO. Do not leave this pin floating.
6	EN1	Enable control of the DC/DC regulator. Pull this pin high to turn on the regulator. Do not leave this pin floating. This pin is also used for controlling the operating mode of the regulator under light-load condition when the output of the buck regulator is within the regulation range. When its voltage is less than 1.6V, the buck regulator operates in ultrasonic mode. When its voltage is larger than 2.2V, the buck regulator operates in PFM mode.
7	FF	Output feed-forward pin. Connect the RC network from the output to this pin.
8	OUT	Output pin. Connect to the output of the buck regulator. The pin also provides the bypass input for the internal LDO.
9	LDO	5V LDO output. Decouple this pin to ground with a 4.7 $\mu$ F ceramic capacitor.
10	V <sub>CC</sub>	Internal 3.6V LDO output. Power supply for internal analog circuits and driving. Decouple this pin to ground with a 2.2 $\mu$ F ceramic capacitor.

## Block Diagram

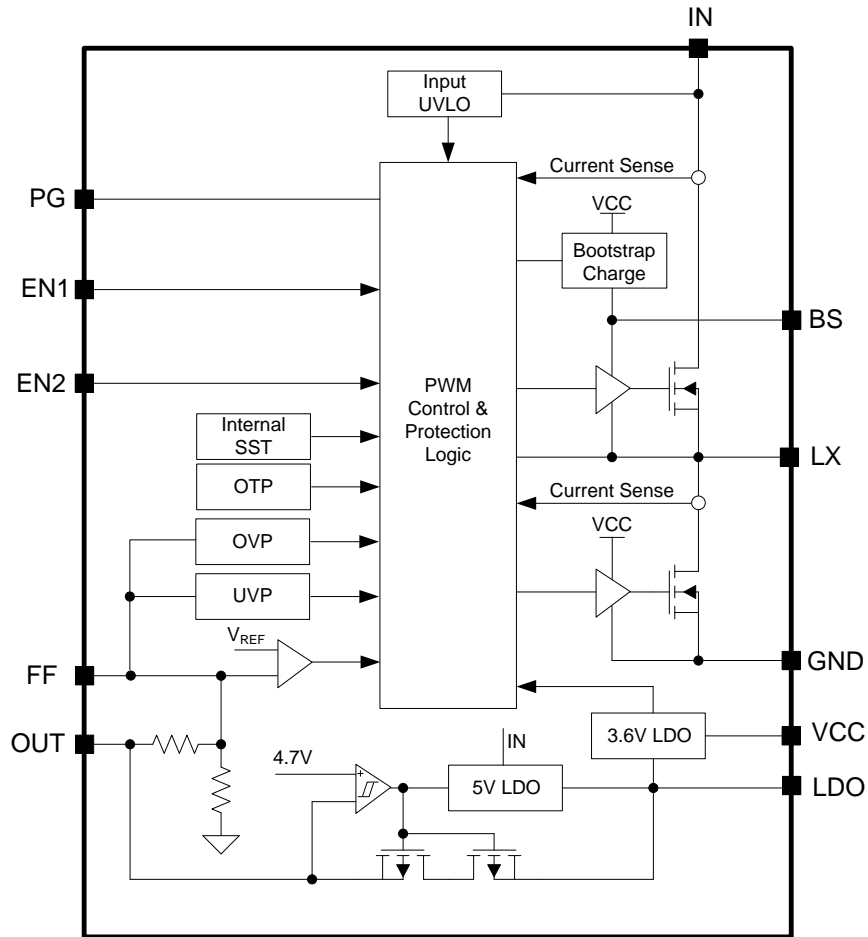


Figure 3. Block Diagram

## Absolute Maximum Ratings

Parameter (Note 1)	Min	Max	Unit
IN	-0.3	26	V
IN-LX, LX, PG, EN2, EN1	-0.3	IN+0.3	
BS-LX, V <sub>CC</sub> , FF	-0.3	4	
OUT, LDO	-0.3	6.5	
Dynamic LX Voltage in 10ns Duration (3)	GND-5	IN+3	
Dynamic LX Voltage in 20ns Duration (3)	GND-1	IN+2	
Junction Temperature, Operating	-40	150	°C
Lead Temperature (Soldering,10sec.)		260	
Storage Temperature	-65	150	

## Thermal Information

Parameter (Note 2)	Typ	Unit
$\theta_{JA}$ Junction-to-ambient Thermal Resistance	27	°C/W
$\theta_{JC}$ Junction-to-case Thermal Resistance	4.3	
P <sub>D</sub> Power Dissipation T <sub>A</sub> = 25°C	3.7	W

## Recommended Operating Conditions

Parameter (Note 3)	Min	Max	Unit
IN	5.5	24	V
Junction Temperature, Operating	-40	125	
Ambient Temperature	-40	85	°C

## Electrical Characteristics

( $V_{IN} = 12V$ ,  $C_{OUT} = 88\mu F$ ,  $T_A = 25^\circ C$ ,  $I_{OUT} = 1A$  unless otherwise specified)

Parameter	Symbol	Test Conditions	Min	Typ	Max	Unit	
Input	Voltage Range	$V_{IN}$	5.5		24	V	
	UVLO Threshold	$V_{UVLO}$	$V_{IN}$ rising		5	V	
	UVLO Hysteresis	$V_{HYS}$		0.5		V	
	Quiescent Current	$I_Q$	$I_{OUT} = 0A$ , $V_{OUT} = V_{SET} \times 105\%$		110	140	$\mu A$
	Shutdown Current 1	$I_{SHDN1}$	EN1 = 0, EN2 = 1		65	90	$\mu A$
	Shutdown Current 2	$I_{SHDN2}$	EN1 = 0, EN2 = 0		4.5	9	$\mu A$
Output	Voltage Setpoint	$V_{SET}$	CCM	5.07	5.15	5.23	V
	Discharge Current	$I_{DIS}$	$V_{OUT} = 5.15V$		100		mA
	Soft-Start Time	$t_{SS}$	$V_{OUT}$ from 0% to 100% $V_{SET}$		0.8		ms
	OVP Threshold	$V_{OVP}$	$V_{FF}$ rising	115	120	125	% $V_{REF}$
	OVP Hysteresis	$V_{OVP,HYS}$			5		% $V_{REF}$
	OVP Delay	$t_{OVP,DLY}$	(Note4)	30	40		$\mu s$
	UVP Threshold	$V_{UVP}$		55	60	65	% $V_{REF}$
	UVP Delay	$t_{UVP,DLY}$	(Note4)		200		$\mu s$
MOSFET	Top FET $R_{DS(ON)}$	$R_{DS(ON)1}$		17		m $\Omega$	
	Bottom FET $R_{DS(ON)}$	$R_{DS(ON)2}$		7.5		m $\Omega$	
	Top FET Current Limit	$I_{LMT, TOP}$			22	A	
	Bottom FET Current Limit	$I_{LMT, BOT}$		14		A	
	Bottom FET Reverse-Current Limit	$I_{LMT, RVS}$	USM	4	6.5		A
Enable (EN)	Input Voltage High	$V_{EN,H}$	1			V	
	Input Voltage Low	$V_{EN,L}$			0.4	V	
	EN1 Voltage for Ultrasonic Mode	$V_{EN1, USM}$	1		1.6	V	
	EN1 Voltage for PFM Mode	$V_{EN1, PFM}$	2.2		$V_{IN}$	V	
Frequency	Switching Frequency	$f_{SW}$	CCM	510	600	690	kHz
	Ultrasonic Mode Frequency	$f_{USM}$	USM mode, $I_{OUT} = 0A$		27		kHz
	Min ON Time	$t_{ON, MIN}$	$V_{IN} = V_{IN, MAX}$		50		ns
	Min OFF Time	$t_{OFF, MIN}$			150		ns
Power-Good	Falling Threshold	$V_{PG}$	$V_{FF}$ falling (not good)	80	83	86	% $V_{REF}$
	Threshold Hysteresis	$V_{PG,HYS}$	$V_{FF}$ rising (good)		7		% $V_{REF}$
	Delay Time	$t_{PG,R}$	Low to high (Note4)		200		$\mu s$
		$t_{PG,F}$	High to low (Note4)		40		$\mu s$
	Low Voltage	$V_{PG, LOW}$	$V_{FF} = 0V$ , $I_{PG} = 5mA$			0.45	V
	Leakage Current	$I_{PG, LKG}$	PG connects 3.6V			5	$\mu A$
LDO	Output Voltage	$V_{LDO}$	BYP off, $I_{LDO} = 0mA$	4.9	5	5.15	V
	Dropout Voltage	$V_{DROPOUT}$	$I_{LDO} = 100mA$		300		mV
	Output Current Limit	$I_{LMT, LDO}$		150		310	mA

## Electrical Characteristics (cont.)

( $V_{IN} = 12V$ ,  $C_{OUT} = 88\mu F$ ,  $T_A = 25^\circ C$ ,  $I_{OUT} = 1A$  unless otherwise specified)

Parameter		Symbol	Test Conditions	Min	Typ	Max	Unit
$V_{CC}$	Output Voltage	$V_{CC}$	$V_{CC}$ adds 1mA load	3.45	3.6	3.75	V
BYP	$R_{DS(ON)}$	$R_{DS(ON),BYP}$			1.5		$\Omega$
	Turn-On Voltage	$V_{BYP}$		4.5	4.7	4.9	V
	Turn-On Hysteresis	$V_{BYP,HYS}$			0.2		V
	OVP Voltage	$V_{BYP,OVP}$	$V_{OUT}$ sweeps	114	120	126	% $V_{LDO}$
OTP	Buck Temperature	$T_{OTP,BUCK}$	$T_J$ rising (Note4)		150		$^\circ C$
	Buck Temperature Hysteresis	$T_{BUCK,HYS}$	$T_J$ falling (Note4)		15		$^\circ C$
	LDO Temperature	$T_{OTP,LDO}$	(Note4)		160		$^\circ C$
	LDO Temperature Hysteresis	$T_{LDO,HYS}$	(Note4)		25		$^\circ C$

**Note 1:** Stresses beyond the “Absolute Maximum Ratings” may cause permanent damage to the device. These are stress ratings only. Functional operation of the device at these or any other conditions beyond those indicated in the operational sections of the specification is not implied. Exposure to absolute maximum rating conditions for extended periods may affect device reliability

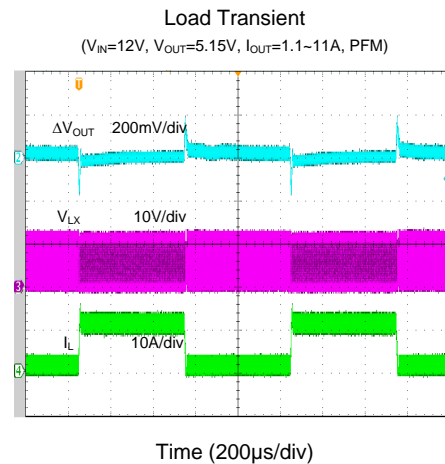
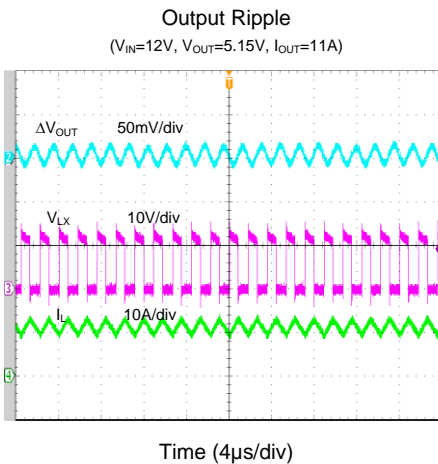
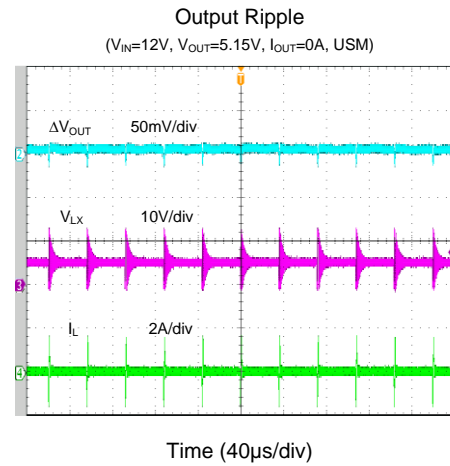
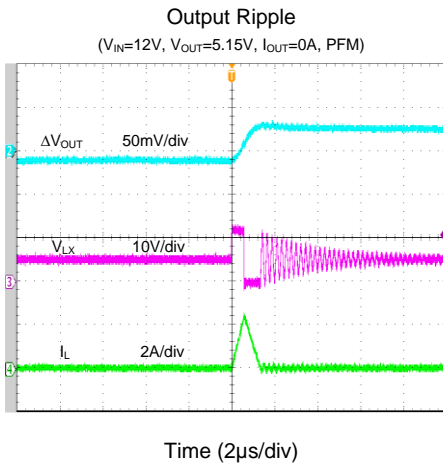
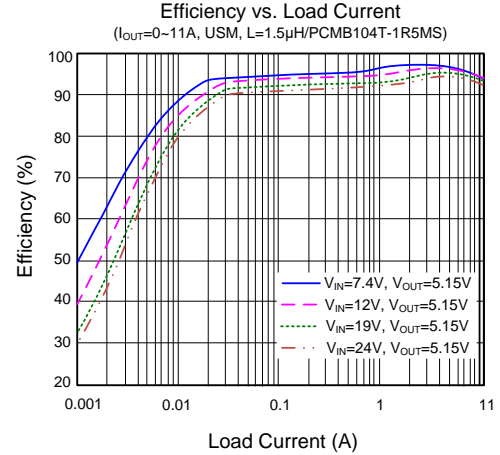
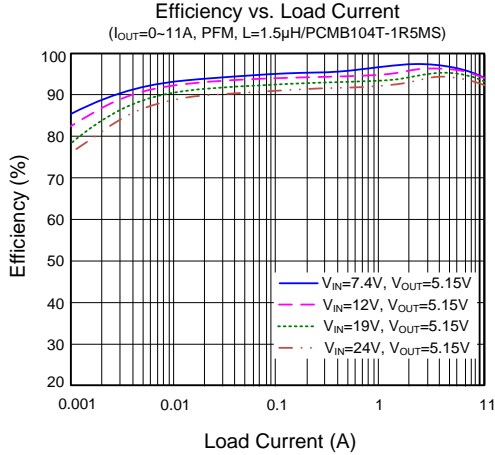
**Note 2:** Package thermal resistance is measured in the natural convection at  $T_A = 25^\circ C$  on an 8.5cm x 8.5cm four-layer Silergy Evaluation Board with 2oz copper.

**Note 3:** The device is not guaranteed to function outside its operating conditions.

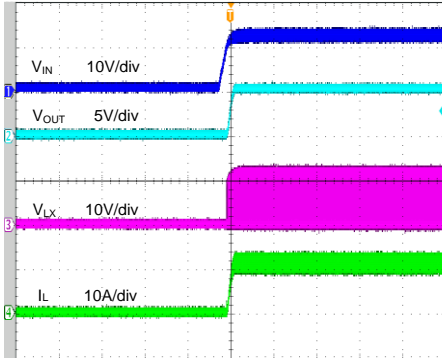
**Note 4:** Guaranteed by design.

## Typical Performance Characteristics

( $T_A = 25^\circ\text{C}$ ,  $V_{IN} = 12\text{V}$ ,  $V_{OUT} = 3.3\text{V}$ ,  $L = 1.5\mu\text{H}$ ,  $C_{OUT} = 66\mu\text{F}$ , unless otherwise noted)

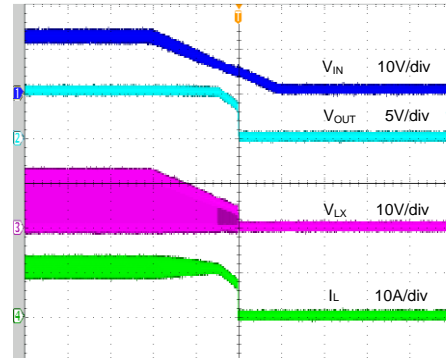


Startup from  $V_{IN}$   
( $V_{IN}=12V$ ,  $V_{OUT}=5.15V$ ,  $I_{OUT}=11A$ )



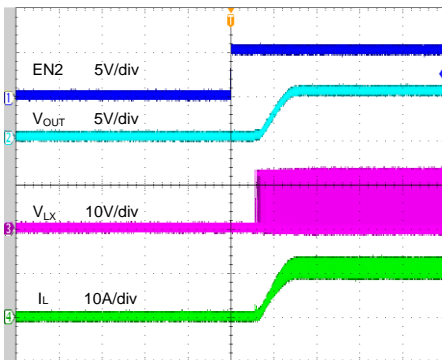
Time (4ms/div)

Shutdown from  $V_{IN}$   
( $V_{IN}=12V$ ,  $V_{OUT}=5.15V$ ,  $I_{OUT}=11A$ )



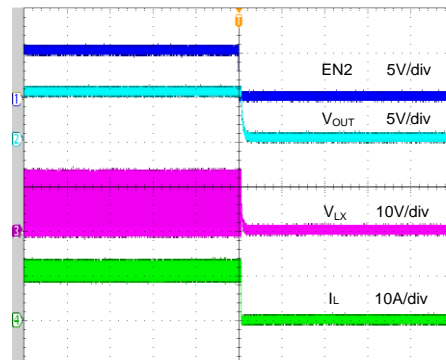
Time (4ms/div)

Startup from EN2  
( $V_{IN}=12V$ ,  $V_{OUT}=5.15V$ ,  $I_{OUT}=11A$ )



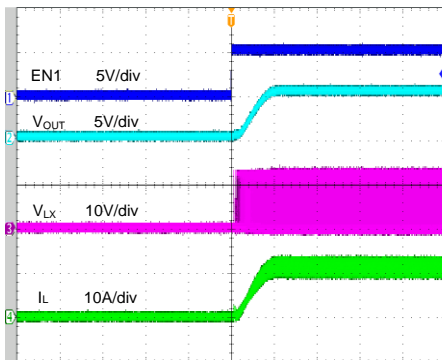
Time (800 $\mu$ s/div)

Shutdown from EN2  
( $V_{IN}=12V$ ,  $V_{OUT}=5.15V$ ,  $I_{OUT}=11A$ )



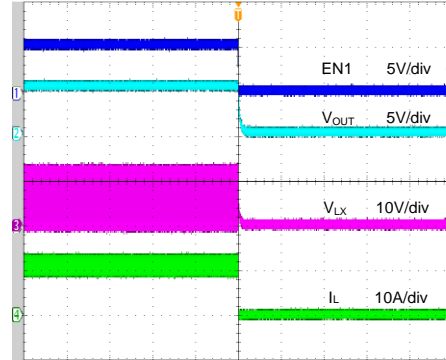
Time (800 $\mu$ s/div)

Startup from EN1  
( $V_{IN}=12V$ ,  $V_{OUT}=5.15V$ ,  $I_{OUT}=11A$ )

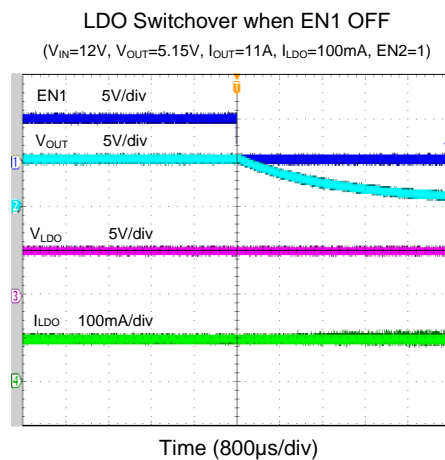
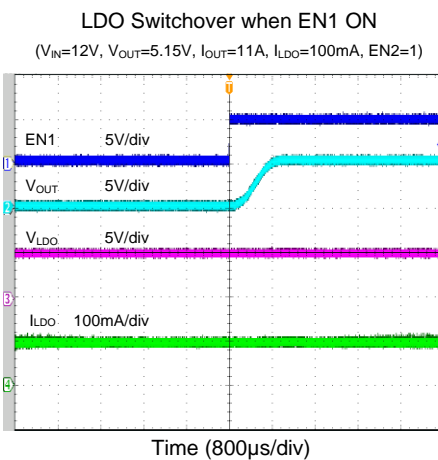
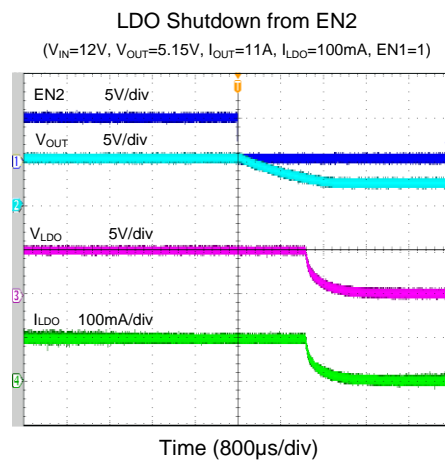
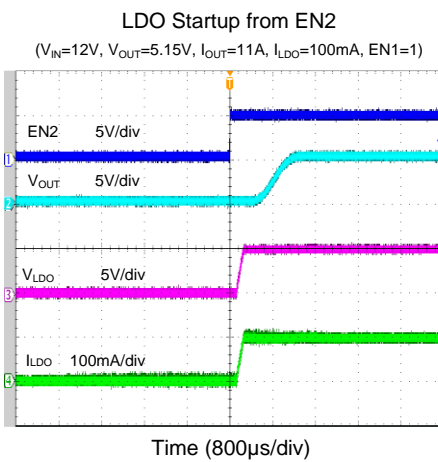
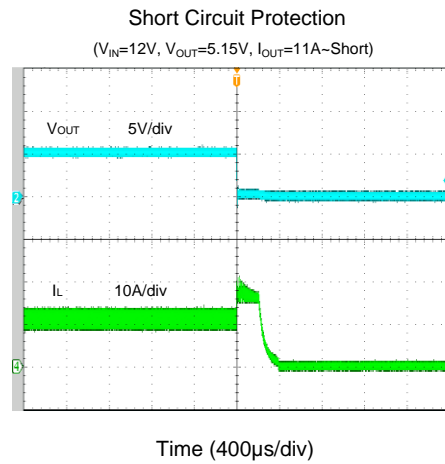
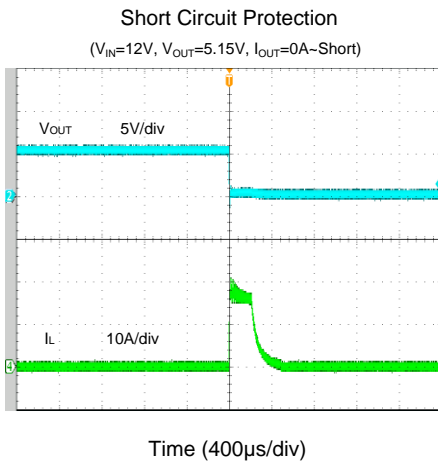


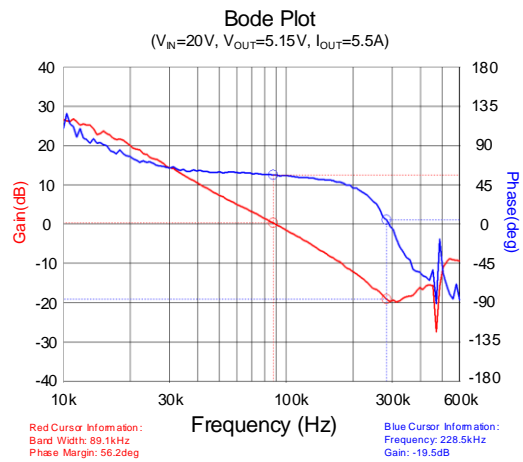
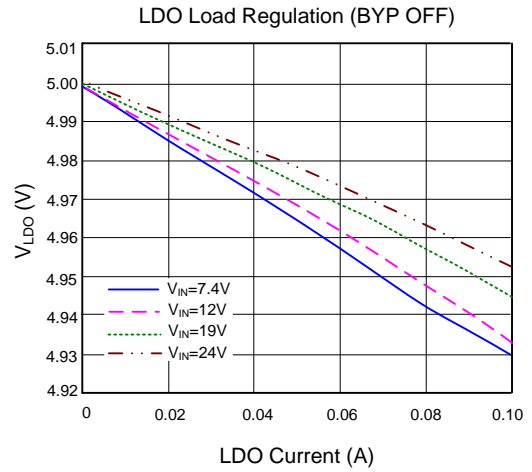
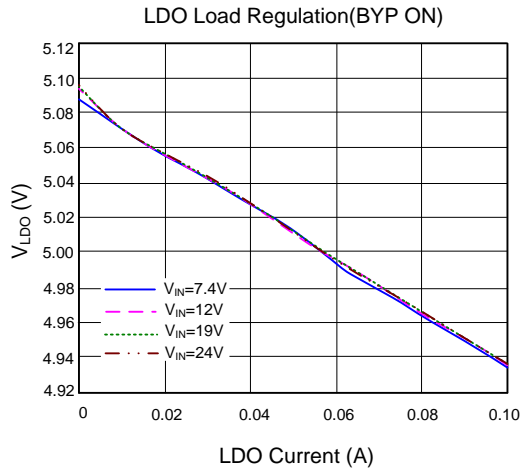
Time (800 $\mu$ s/div)

Shutdown from EN1  
( $V_{IN}=12V$ ,  $V_{OUT}=5.15V$ ,  $I_{OUT}=11A$ )



Time (800 $\mu$ s/div)





## Detailed Description

### General Features

#### Constant-On-Time Architecture

The one-shot circuit or on-time generator, which determines how long to turn on the high-side power switch, is fundamental to any constant-on-time (COT) architecture. Each on-time ( $t_{ON}$ ) is a fixed period internally calculated to operate the step-down regulator at the desired switching frequency, considering the input and output voltage ratio,  $t_{ON} = (V_{OUT}/V_{IN}) \times (1/f_{SW})$ . For example, considering that a hypothetical converter targets 5.15V output from a 12V input at 600kHz, the target on-time is  $(5.15V/12V) \times (1/600kHz) = 715.28ns$ . Each  $t_{ON}$  pulse is triggered by the feedback comparator when the output voltage as measured at FF drops below the target value. After one  $t_{ON}$  period, a minimum off-time ( $t_{OFF,MIN}$ ) is imposed before any further switching is initiated, even if the output voltage is less than the target. This approach avoids making any switching decisions during the noisy periods immediately after switching events, or while the switching node (LX) is rapidly rising or falling.

There is no fixed clock in a COT architecture, so the high-side power switch can turn on almost immediately after a load transient. Subsequent switching pulses can be quickly initiated, ramping the inductor current up to meet load requirements with minimal delays. Conventional current-mode or voltage-mode control methods determine when to turn off the high-side power switch and turn on the low-side synchronous rectifier based on current feedback, feedback voltage, internal ramps, and internal compensation signals, so these must all be monitored. These signals are difficult to observe immediately after switching large currents, however, which makes such architectures difficult to implement in noisy environments and at low duty cycles.

#### Minimum Duty Cycle and Maximum Duty Cycle

There is no limitation for minimum duty cycle in COT architecture. This is because when the on-time is close to the minimum on-time, the switching frequency can be reduced as needed to always ensure proper operation.

The SY21249C1 can support 5.15V fixed output when  $T_J = -40\text{--}125^\circ\text{C}$ , even if the input voltage is as low as 5.5V. To accomplish this,  $t_{ON}$  can be stretched to extend the duty cycle as much as necessary. When the device detects that feedback voltage is lower than the reference voltage under normal on-time operation,  $t_{ON}$  will be stretched. The maximum limitation of  $t_{ON}$  is 3–4 normal switching cycles. The on-time stretch function is disabled

when the feedback voltage is less than the undervoltage protection (UVP) threshold.

#### Instant-PWM Operation

Silergy's instant-PWM control method adds several proprietary improvements to the traditional COT architecture. First, whereas most legacy COT implementations require a dedicated connection to the output voltage terminal to calculate the  $t_{ON}$  duration, the instant-PWM control method derives this signal internally.

Additionally, it optimizes operation with low-ESR ceramic output capacitors. In many applications it is desirable to utilize very low ESR ceramic output capacitors, but legacy COT regulators may become unstable in these cases because the beneficial ramp signal that results from the inductor current flowing into the output capacitor may become too small to maintain stable operation. For this reason, instant-PWM synthesizes a virtual replica of this signal internally. This internal virtual ramp and the feedback voltage are combined and compared to the reference voltage. When the sum is lower than the reference voltage, the  $t_{ON}$  pulse is triggered as long as the minimum  $t_{OFF}$  has been satisfied and the inductor current as measured in the low-side synchronous rectifier is lower than the bottom FET current limit. When the  $t_{ON}$  pulse is triggered, the low-side synchronous rectifier turns off and the high-side power switch turns on. The inductor current then ramps up linearly during the  $t_{ON}$  period. At the end of the  $t_{ON}$  period, the high-side power switch turns off, the low-side synchronous rectifier turns on, and the inductor current ramps down linearly.

This action also initiates the minimum  $t_{OFF}$  timer to ensure sufficient time for stabilizing any transient conditions and settling the feedback comparator before the next cycle is initiated. This minimum  $t_{OFF}$  is relatively short so that transient  $t_{ON}$  can be retriggered with minimal delay during high-speed load, allowing the inductor current to ramp quickly and provide sufficient energy to the load side.

In order to avoid shoot-through, a dead time ( $t_{DEAD}$ ) is generated internally between the time when the high-side power switch turns off and the low-side synchronous rectifier on-period, or between the time when the low-side synchronous rectifier turns off and the high-side power switch on-period.

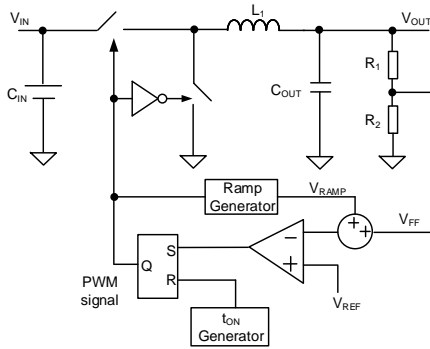


Figure 4. Instant-PWM

### Light-Load Operation Mode Selection

PFM or USM light load operation is selected using the EN1 pin. EN1 is not only used as an enable pin, but also for mode selection to control the operation of the regulator under light-load conditions, after the output is within the regulation range. When the voltage on this pin is lower than 1.6V and higher than its rising threshold, the regulator operates in ultrasonic mode (USM). If the voltage on this pin is greater than 2.2V, the buck regulator operates in pulse-frequency modulation mode (PFM).

If PFM light-load operation is selected, under light load conditions (typically when  $I_{OUT} < 0.5 \times \Delta I_L$ ), the current through the low-side synchronous rectifier will decrease to near zero before the next  $t_{ON}$  time. When this occurs, the low-side synchronous rectifier turns off, preventing recirculation current that can seriously reduce efficiency under light-load conditions. As the load current is further reduced and the combined feedback and ramp signals remain much greater than the reference voltage, the instant-PWM control loop will not trigger another  $t_{ON}$  until needed. The apparent operating switching frequency will drop accordingly, further enhancing efficiency. The switching frequency can be in the audible range under deep light-load or no-load conditions. Continuous conduction mode (CCM) resumes smoothly as soon as the load current increases sufficiently for the inductor current to remain above zero at the time of the next  $t_{ON}$  cycle. The device enters CCM once the load current exceeds this threshold. Above this level, the switching frequency stays fairly constant over the entire output current range. The transition level of the load current is determined as follows:

$$I_{OUT\_CTL} = \frac{\Delta I_L}{2} = \frac{V_{OUT} \times (1-D)}{2 \times f_{SW} \times L_1}$$

If USM light-load operation is selected, the control loop keeps the switching frequency above the audible frequency range, even under light-load or no-load conditions. Once the device detects that both the high-side power switch and the low-side synchronous rectifier turn off for more than a specified duration, it forces the low-side synchronous rectifier to turn on in advance of one  $t_{ON}$  cycle and discharge the output capacitor in order to keep the switching frequency out of audio range. A separate control loop is used to force the low-side synchronous rectifier on to prevent the output voltage from becoming too high.

### Input Undervoltage Lockout (UVLO)

To prevent operation before all internal circuitry is ready, and to ensure that the power and synchronous rectifier switches can operate normally, instant-PWM incorporates an input undervoltage lockout protection. The SY21249C1 remains in a low-current state and all switching actions are inhibited until  $V_{IN}$  exceeds the UVLO (rising) threshold. At this time, if EN is enabled, the device will start up by initiating a soft-start ramp. If  $V_{IN}$  falls below  $V_{UVLO}$  by more than the input UVLO hysteresis, switching actions and LDO operation will again be suppressed.

If the input UVLO threshold is too low for some high-input UVLO threshold requirement applications, an external resistor-divider connected to EN2 can be used to adjust UVLO threshold.

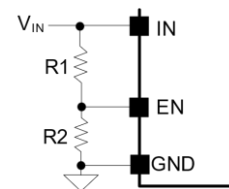


Figure 5. UVLO adjustment

### EN1/EN2 Control

The SY21249C1 has two enable pins to control the synchronous buck regulator and LDO. The LDO is only enabled when EN2 is high, and the buck regulator is only enabled when both EN1 and EN2 are high. See Table 1.

Table 1. EN1/EN2 Control

EN2	EN1	STATE	LDO	BUCK
High	High	S0	On	On
High	Low	S3	On	Off
Low	Low/High	S4/S5	Off	Off

The EN1/EN2 inputs are high-voltage-capable inputs with logic-compatible threshold. When EN1/EN2 are driven above 1V, normal device operation is enabled. When driven below 0.4V, the device will be shut down, reducing the input current to < 10 $\mu$ A.

It is not recommended to connect EN2/EN1 to the IN pin directly. A resistor with a value between 1k $\Omega$  and 1M $\Omega$  should be used to pull these pins up to IN.

## Startup and Shutdown

The SY21249C1 incorporates an internal soft-start circuit to smoothly ramp the output to the desired voltage whenever the device is enabled. Internally, the soft-start circuit clamps the output at a low voltage and then allows the output to rise to the target voltage over approximately 1.2ms, which avoids high current flow during startup. The startup and shutdown sequences are shown in Figure 6.

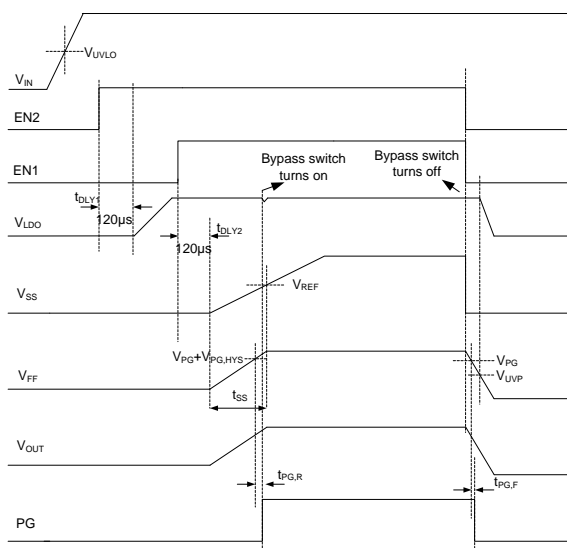


Figure 6. Startup and shutdown sequence

When the input voltage exceeds its the UVLO (rising) threshold, the LDO is turned on after EN2 is enabled for one delay time  $t_{DLY1}$ . The buck regulator is turned on if EN1 is also enabled for one delay time  $t_{DLY2}$ . When the output voltage is 90% of the regulation point, PG becomes high-impedance after one delay time  $t_{PG,R}$ , and the LDO output switches over to the buck output if OUT voltage is higher than the bypass switch turn-on voltage. The LDO output will switch over to the internal LDO regulator once either EN1 or EN2 is disabled.

If the output is pre-biased to a certain voltage before startup, the device disables the switching of both the high-side power switch and the low-side synchronous rectifier until the voltage on the internal soft-start circuit voltage  $V_{SS}$  exceeds the sensed output voltage at the FB node.

## Output Discharge

The SY21249C1 discharges the output voltage when the converter shuts down from  $V_{IN}$  UVLO, using EN/EN2 to disable operation, or due to thermal shutdown, so that the output voltage can be discharged in a minimal amount of time, even if the output load current is zero. The discharge FET in parallel with the low-side synchronous rectifier turns on after the low-side synchronous rectifier turns off when shutdown logic is triggered. The output discharge current is typically 100mA when LX voltage is 5V. Note that the discharge FET is not active outside of the shutdown conditions.

## Buck Output Power-Good Indicator

The buck power-good indicator is an open-drain output controlled by a window comparator connected to the feedback signal. If  $V_{FF}$  is greater than  $V_{PG} + V_{PG,HYS}$  and less than  $V_{OVP}$  for at least the power-good delay time (low to high), PG will be high-impedance.

PG should be connected to  $V_{IN}$  or another voltage source through a resistor (e.g., 100k $\Omega$ ). After the input voltage exceeds the UVLO (rising) threshold, the PG MOSFET is turned on so that PG is pulled to GND before the output voltage is ready. After the feedback voltage  $V_{FF}$  reaches  $V_{PG} + V_{PG,HYS}$ , PG is pulled high (after one delay time, typical 200 $\mu$ s). When  $V_{FF}$  drops to  $V_{PG}$ , or rises to  $V_{OVP}$  for one OVP delay time, PG is pulled low (after a delay, typical 40 $\mu$ s).

## External Bootstrap Capacitor Connection

The SY21249C1 integrates a floating power supply for the gate driver that operates the high-side power switch. Proper operation requires a 0.1 $\mu$ F low-ESR ceramic capacitor to be connected between BS and LX, which provides the gate-driver supply voltage for the high-side N-channel MOSFET power switch.

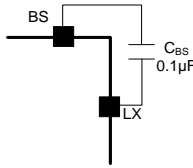


Figure 7. Bootstrap capacitor connection

When the valley current-limit is reached, the output current-limit value is given by the following equations:

$$I_{LMT,OUT} = I_{LMT,BOT} + \Delta I_L / 2,$$

where  $\Delta I_L$  is derived as follows:

$$\Delta I_L = \frac{V_{OUT} \times (V_{IN} - V_{OUT})}{V_{IN} \times f_{SW} \times L_1}$$

## V<sub>CC</sub> Linear Regulator

An internal linear regulator ( $V_{CC}$ ) produces a 3.6V supply from  $V_{IN}$  that powers the internal gate drivers, PWM logic, analog circuitry, and other blocks.  $V_{CC}$  is supplied by the LDO. Connect a 2.2µF low-ESR ceramic capacitor from  $V_{CC}$  to GND as shown in Figure 8. Make sure the loop formed by the  $V_{CC}$  capacitor is shorter than the LDO output capacitor loop, if there is a placement conflict between them.

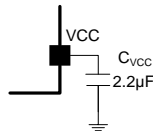


Figure 8. V<sub>CC</sub> regulator

The overcurrent limit protection (OCP) limits the inductor current. When the load current is higher than the bottom FET current limit threshold by one half of the peak-to-peak inductor ripple current, the output voltage starts to drop. When the feedback voltage falls lower than the undervoltage protection threshold (UVP) and continues for one UVP delay time, the device will latch off. Overtemperature protection may also be triggered under an overcurrent condition, and the device will OTP latch off.

The SY21249C1 also incorporates a cycle-by-cycle “peak” current limit (top FET current limit). The high-side power-switch current is monitored during  $t_{ON}$  time. If the monitored current exceeds the threshold, the high-side power switch is turned off, the low-side synchronous rectifier is turned on, and  $t_{ON}$  is inhibited.  $t_{ON}$  is no longer inhibited once low-side synchronous-rectifier current is lower than the bottom-FET current-limit value.

## Fault Protection Modes

### Output Current Limit

Instant-PWM architecture incorporates a cycle-by-cycle “valley” current limit. The inductor current is measured in the low-side synchronous rectifier when it turns on and as the inductor current ramps down. If the current exceeds the current-limit threshold,  $t_{ON}$  is inhibited until the current returns to a level at or below the limit threshold, as shown in Figure 9.

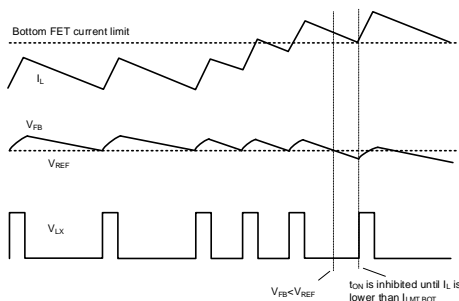


Figure 9. Output current limit

### Output Undervoltage Protection (UVP)

If  $V_{OUT}$  is less than approximately 60% of the setpoint for approximately 200µs when the output short circuits or the load current is much higher than the maximum current capacity, the output undervoltage protection (UVP) will be triggered, and the device will latch off. Cycle EN1 or EN2 to re-enable the device. See Figure 10 for details.

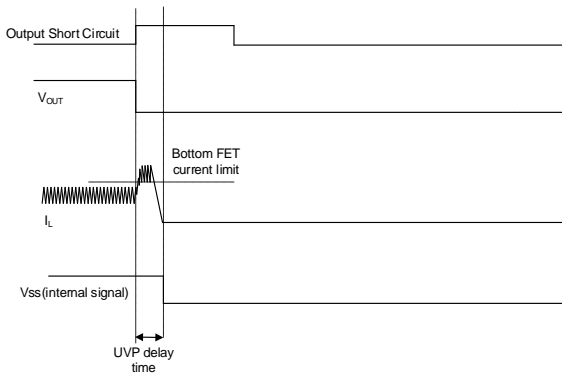


Figure 10. Output undervoltage protection

### Output Overvoltage Protection (OVP)

If the output voltage rises above the feedback regulation level, the high-side power switch naturally remains off, and the protection is activated depending on the operation mode.

When operating in PFM light-load mode, if the feedback voltage remains high, the low-side synchronous rectifier remains on until the inductor current reaches zero and the switching actions are suppressed. The switching actions are resumed once the combined feedback and ramp signals are lower than the reference voltage.

When operating in USM light-load mode, if the feedback voltage remains high, the reverse-current limit will be triggered, and the inductor current average value becomes negative as the device attempts to lower the output voltage. If the feedback voltage continues to rise and exceeds the output overvoltage threshold for more than the OVP delay time, and the output voltage exceeds the bypass switch OVP voltage, the output overvoltage protection (OVP) will be triggered, and the device will latch off. Cycle EN2 or EN1 to re-enable the device. False OVP may happen under a USM light-load condition if the chosen inductance is too small, and the reverse-current limit is triggered.

### Buck Overtemperature Protection (OTP)

Instant-PWM includes overtemperature protection (OTP) circuitry to prevent overheating due to excessive power dissipation. The device will latch off when the junction temperature exceeds 150°C, but LDO output voltage will still be active. Cycle EN1 or EN2 to re-enable the device after the junction temperature cools by 15°C.

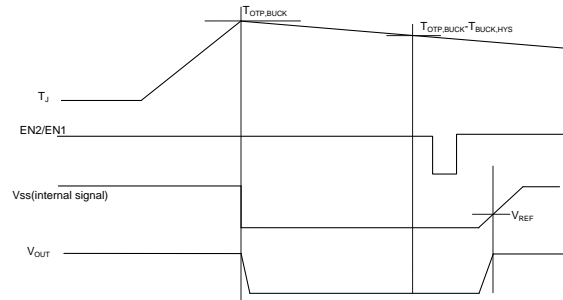


Figure 11. Overtemperature protection

### LDO Overtemperature Protection (OTP)

The SY21249C1 also features LDO overtemperature protection with auto-recovery to guarantee safe LDO operation in the presence of internal LDO regulator power loss. When the LDO thermal sensor detects that the LDO junction temperature exceeds 160°C, the LDO and buck converter will be turned off. When the LDO junction temperature cools down by approximately 25°C, the LDO will return to normal operation. To enable the buck converter after OTP, EN2 must be cycled.

## Application Information

### Input Capacitor Selection

Input filter capacitors reduce the ripple voltage on the input, filter the switched current drawn from the input supply, and reduce potential EMI. When selecting an input capacitor, be sure to select a voltage rating at least 20% greater than the maximum voltage of the input supply and a temperature rating higher than the system requirements. X5R series ceramic capacitors are most often selected due to their small size, low cost, surge-current capability, and high RMS current ratings over a wide temperature and voltage range. However, systems that are powered by a wall adapter or other long and therefore inductive cabling may be susceptible to significant inductive ringing at the input to the device. In these cases, consider adding some bulk capacitance like electrolytic, tantalum, or polymer type capacitors. Using a combination of bulk capacitors (to reduce overshoot or ringing) in parallel with ceramic capacitors (to meet the RMS current requirements) is helpful in these cases. Consider the RMS current rating of the input capacitor, paralleling additional capacitors if required to meet the calculated RMS ripple current.

$$I_{CIN\_RMS} = I_{OUT} \times \sqrt{D \times (1 - D)}$$

The worst-case condition occurs at  $D = 0.5$ , then

$$I_{CIN\_RMS,MAX} = \frac{I_{OUT}}{2}$$

For simplicity, use an input capacitor with an RMS current rating greater than 50% of the maximum load current.

The input capacitor value determines the input voltage ripple of the converter. If there is a voltage ripple requirement in the system, choose an appropriate input capacitor that meets the specification.

Given the very low ESR and ESL of ceramic capacitors, the input voltage ripple can be estimated using the formula:

$$V_{CIN\_RIPPLE,CAP} = \frac{I_{OUT}}{f_{SW} \times C_{IN}} \times D \times (1 - D)$$

The worst-case condition occurs at  $D = 0.5$ , then

$$V_{CIN\_RIPPLE,CAP,MAX} = \frac{I_{OUT}}{4 \times f_{SW} \times C_{IN}}$$

The capacitance value is less important than the RMS current rating. Two 10 $\mu$ F X5R capacitors are sufficient for most applications. Locate the ceramic input capacitor as close as possible to the device IN and GND pins.

### Inductor Selection

The inductor is necessary to supply constant current to the output load while being driven by the switched input voltage.

Instant-PWM operates well over a wide range of inductor values. This flexibility allows for optimization to find the best trade-off of efficiency, cost, and size for a particular application. Selecting a low inductor value will help reduce size and cost, and enhance transient response, but will increase peak inductor ripple current, reducing efficiency and increasing output voltage ripple. The low DC resistance (DCR) of these low-value inductors may help reduce DC losses and increase efficiency. On the other hand, higher inductor values tend to have higher DCR and will slow transient response.

A reasonable compromise between size, efficiency, and transient response can be determined by selecting a ripple current ( $\Delta I_L$ ) approximately 20–50% of the desired full output load current. Start calculating the approximate inductor value by selecting the input and output voltages, the operating frequency ( $f_{SW}$ ), and the maximum output current ( $I_{OUT,MAX}$ ), and then estimating a  $\Delta I_L$  as some percentage of that current:

$$L_1 = \frac{V_{OUT} \times (V_{IN} - V_{OUT})}{V_{IN} \times f_{SW} \times \Delta I_L}$$

Use this inductance value to determine the actual inductor ripple current ( $\Delta I_L$ ) and required peak-current inductor current  $I_{L,PEAK}$ .

$$\Delta I_L = \frac{V_{OUT} \times (V_{IN} - V_{OUT})}{V_{IN} \times f_{SW} \times L_1}$$

$$I_{L,PEAK} = I_{OUT,MAX} + \Delta I_L / 2$$

Select an inductor with a saturation current and thermal rating in excess of  $I_{L,PEAK}$ .

If USM light-load operation is selected, make sure the inductor value is high enough to avoid triggering the

reverse-current limit just under steady state if the load current is zero.

For maximum efficiency, select an inductor with a low DCR that meets the inductance, size, and cost targets. Low-loss ferrite materials should be considered.

### Inductor Design Example

Consider a typical design for a device providing 5.15V<sub>OUT</sub> at 11A from 12V<sub>IN</sub>, operating at 600kHz and using target inductor ripple current ( $\Delta I_L$ ) of 40% or 4.4A. First, determine the approximate inductance value:

$$L_1 = \frac{5.15V \times (12V - 5.15V)}{12V \times 600kHz \times 4.4A} = 1.1\mu H$$

Next, select the nearest standard inductance value, in this case 1.5 $\mu$ H, and calculate the resulting inductor ripple current ( $\Delta I_L$ ):

$$\Delta I_L = \frac{5.15V \times (12V - 5.15V)}{12V \times 600kHz \times 1.5\mu H} = 3.27A$$

$$I_{L,PEAK} = 11A + 3.27A/2 = 12.635A$$

The resulting 3.27A ripple current is 29.73% (3.27A/11A), well within the 20–50% target.

$$I_{L,PEAK,RVS} = 3.27A/2 = 1.635A < I_{LIM,RVS}$$

Finally, select an available inductor with a saturation current higher than the resulting  $I_{L,PEAK}$  of 12.635A.

### Output Capacitor Selection

Instant-PWM provides excellent performance with a wide variety of output capacitor types. Ceramic and POS types are most often selected due to their small size and low cost. Total capacitance is determined by the transient response and output voltage ripple requirements of the system.

### Output Ripple

Output voltage ripple at the switching frequency is caused by the inductor current ripple ( $\Delta I_L$ ) on the output capacitors ESR (ESR ripple), as well as the

stored charge (capacitive ripple). When considering total ripple, both should be considered.

$$V_{RIPPLE,ESR} = \Delta I_L \times ESR$$

$$V_{RIPPLE,CAP} = \frac{\Delta I_L}{8 \times C_{OUT} \times f_{SW}}$$

Consider a typical application with  $\Delta I_L = 3.27A$  using three 22 $\mu$ F ceramic capacitors, each with an ESR of approximately 6m $\Omega$  for a parallel total of 66 $\mu$ F and 2m $\Omega$  ESR.

$$V_{RIPPLE,ESR} = 3.27A \times 2m\Omega = 6.54mV$$

$$V_{RIPPLE,CAP} = \frac{3.27A}{8 \times 66\mu F \times 600kHz} = 10.32mV$$

Total ripple = 16.86mV. The actual capacitive ripple may be higher than the calculated value because the capacitance derating with the voltage on the capacitor.

Using a 150 $\mu$ F 40m $\Omega$  POS cap, the result is:

$$V_{RIPPLE,ESR} = 3.27A \times 40m\Omega = 130.80mV$$

$$V_{RIPPLE,CAP} = \frac{3.27A}{8 \times 150\mu F \times 600kHz} = 4.54mV$$

Total ripple = 135.34mV.

### Output Transient Undershoot/Overshoot

If very fast load transients must be supported, consider the effect of the output capacitor on the output transient undershoot and overshoot. Instant-PWM responds quickly to changing load conditions, but some considerations are still required, especially when using small ceramic capacitors. These capacitors have low capacitance at low output voltages, which results in insufficient stored energy for load transients. Output-transient undershoot and overshoot have two causes: voltage changes caused by the ESR of the output capacitor, and voltage changes caused by the output capacitance and inductor current slew rate.

ESR undershoot or overshoot may be calculated as  $V_{ESR} = \Delta I_{OUT} \times ESR$ . Using the ceramic capacitor example above and a fast load transient of +/- 5.5A,  $V_{ESR} = +/- 5.5A \times 2m\Omega = +/- 11mV$ . The POS capacitor result with the same load transient,  $V_{ESR} = +/- 5.5A \times 40m\Omega = +/- 220mV$ .

Capacitive undershoot (load increasing) is a function of the output capacitance, load step, inductor value, input-output voltage difference, and maximum duty factor. During a fast load transient, the maximum duty factor of instant-PWM is a function of  $t_{ON}$  and the minimum  $t_{OFF}$ , as the control scheme is designed to rapidly ramp the inductor current by grouping together many  $t_{ON}$  pulses in this case. The maximum duty factor  $D_{MAX}$  may be calculated as:

$$D_{MAX} = \frac{t_{ON}}{t_{ON} + t_{OFF,MIN}}$$

Given this, the capacitive undershoot may be calculated as:

$$V_{UNDERSHOOT,CAP} = -\frac{L_1 \times \Delta I_{OUT}^2}{2 \times C_{OUT} \times (V_{IN,MIN} \times D_{MAX} - V_{OUT})}$$

Consider a 5.5A load increase using the ceramic capacitor case when  $V_{IN} = 12V$ . At  $V_{OUT} = 5.15V$ , the result is  $t_{ON} = 715.28ns$ ,  $t_{OFF,MIN} = 150ns$ ,  $D_{MAX} = 715.28 / (715.28 + 150) = 0.826$  and

$$V_{UNDERSHOOT,CAP} = -\frac{1.5\mu H \times (5.5A)^2}{2 \times 66\mu F \times (12V \times 0.826 - 5.15V)} = -72.19mV$$

Using the POS capacitor case, the result is

$$V_{UNDERSHOOT,CAP} = -\frac{1.5\mu H \times (5.5A)^2}{2 \times 150\mu F \times (12V \times 0.826 - 5.15V)} = -31.76mV$$

Capacitive overshoot (load decreasing) is a function of the output capacitance, inductor value, and output voltage.

$$V_{OVERSHOOT,CAP} = \frac{L_1 \times \Delta I_{OUT}^2}{2 \times C_{OUT} \times V_{OUT}}$$

Consider a 5.5A load decrease using the ceramic capacitor case above. At  $V_{OUT} = 5.15V$  the result is

$$V_{OVERSHOOT,CAP} = \frac{1.5\mu H \times (5.5A)^2}{2 \times 66\mu F \times 5.15V} = 66.75mV$$

Using the POS capacitor case, the above result is

$$V_{OVERSHOOT,CAP} = \frac{1.5\mu H \times (5.5A)^2}{2 \times 150\mu F \times 5.15V} = 29.37mV$$

Combine the ESR and capacitive undershoot and overshoot to calculate the total overshoot and undershoot for a given application.

The SY21249C1 uses the instant-PWM architecture to achieve good stability and fast transient responses. In applications with high step load current, adding an RC feed-forward compensation network, consisting of  $R_{FF}$  and  $C_{FF}$  between the OUT pin and the FF pin may further speed up the load-transient responses.  $R_{FF} = 1k\Omega$  and  $C_{FF} = 470pF$  have been shown to perform well in most applications. Increasing  $C_{FF}$  will speed up the load-transient response if there is no stability issue.

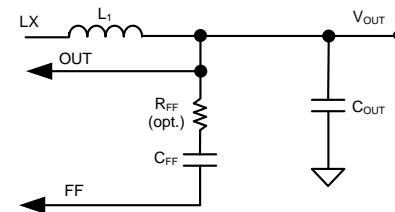


Figure 13. Feed-forward network

Note that when  $C_{OUT} > 500\mu F$  and minimum load current is low, using  $R_{FF} = 1k\Omega$  and  $C_{FF} = 2.2nF$  is recommended, to provide sufficient ripple to FB, enable small output ripple and good transient behavior.

## Load-Transient Considerations

## Thermal Design Considerations

The maximum power dissipation depends on multiple factors: PCB layout, IC package thermal resistance, local airflow, and the junction temperature relative to ambient. The maximum power dissipation may be calculated as:

$$P_{D,MAX} = (T_{J,MAX} - T_A) / \theta_{JA}$$

Where,  $T_{J,MAX}$  is the maximum junction temperature,  $T_A$  is the ambient temperature, and  $\theta_{JA}$  is the junction-to-ambient thermal resistance.

To comply with the recommended operating conditions, the maximum junction temperature is 125°C. The junction to ambient thermal resistance  $\theta_{JA}$  is layout dependent. For the QFN2.5x2.5-16 package the thermal resistance  $\theta_{JA}$  is 27°C/W when measured on a standard Silergy 8.5cmx8.5cm four-layer thermal test board. These standard thermal test layouts have a very large area with long 2-oz. copper traces connected to each IC pin and very large, unbroken 1-oz. internal power and ground planes.

Meeting the performance of the standard thermal test board in a typical tiny evaluation board area requires wide copper traces well-connected to the IC's backside pads leading to exposed copper areas on the component side of the board as well as good thermal via from the exposed pad connecting to a wide middle-

layer ground plane and, perhaps, to an exposed copper area on the board's solder side.

The maximum power dissipation at  $T_A = 25^\circ\text{C}$  may be calculated using the following formula:

$$P_{D,MAX} = (125^\circ\text{C} - 25^\circ\text{C}) / (27^\circ\text{C/W}) = 3.7\text{W}$$

The maximum power dissipation depends on operating ambient temperature for fixed  $T_{J,MAX}$  and thermal resistance  $\theta_{JA}$ . Use the derating curve in figure below to calculate the effect of rising ambient temperature on the maximum power dissipation.

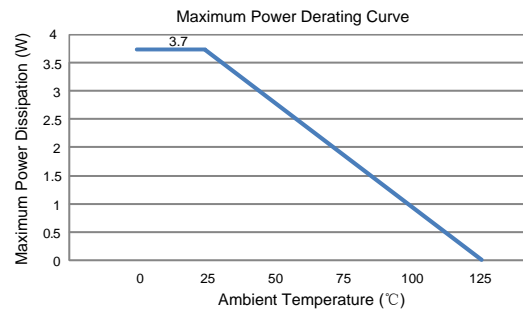
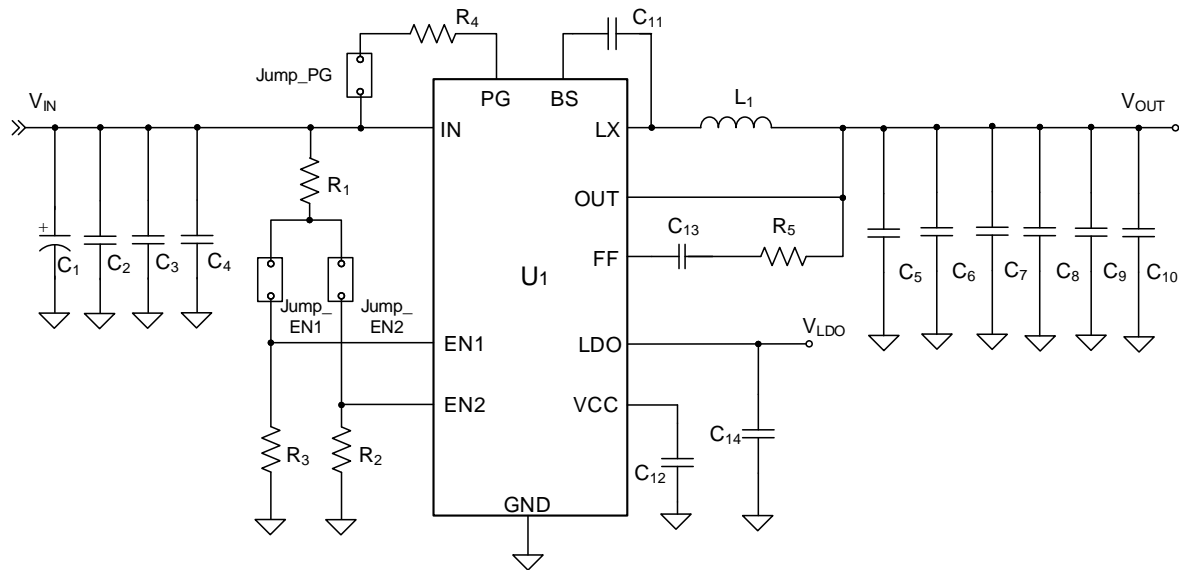


Figure 14. Maximum power dissipation

## Application Schematic



## BOM List

Designator	Description	Part Number	Manufacturer
U1	11A, Buck with 5V LDO	SY21249C1TMC	Silergy
C1	47 $\mu$ F/50V, Electrolytic Cap		
C2, C3	10 $\mu$ F/50V/X5R, 1206	GRM31CR61H106KA12L	m $\mu$ Rata
C4, C11	0.1 $\mu$ F/50V/X5R, 0603	GRM188R61H104KA93D	m $\mu$ Rata
C5, C6, C7, C8	22 $\mu$ F/16V/X5R, 1206	GRM31CR61C226ME15L	m $\mu$ Rata
C9, C10	NC		
C12	2.2 $\mu$ F/16V/X5R, 0603	GRM188R61C225KE15D	m $\mu$ Rata
C13	470pF/50V/C0G, 0603	GRM1885C1H471JA01D	m $\mu$ Rata
C14	4.7 $\mu$ F/16V/X5R, 0603	GRM185R61C475KE11D	m $\mu$ Rata
L1	1.5 $\mu$ H/16A, inductor	PCMB104T-1R5MS	CYNTEC
R1	10k $\Omega$ , 1%, 0603		
R2, R3	1M $\Omega$ , 1%, 0603		
R4	100k $\Omega$ , 1%, 0603		
R5	1k $\Omega$ , 1%, 0603		
R6, R7	NC		
U1	11A, Buck with 5V LDO	SY21249C1TMC	Silergy

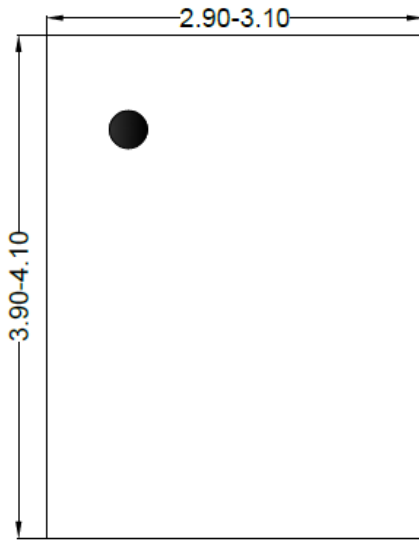
## Layout Design

Follow these PCB layout guidelines for optimal performance and thermal dissipation:

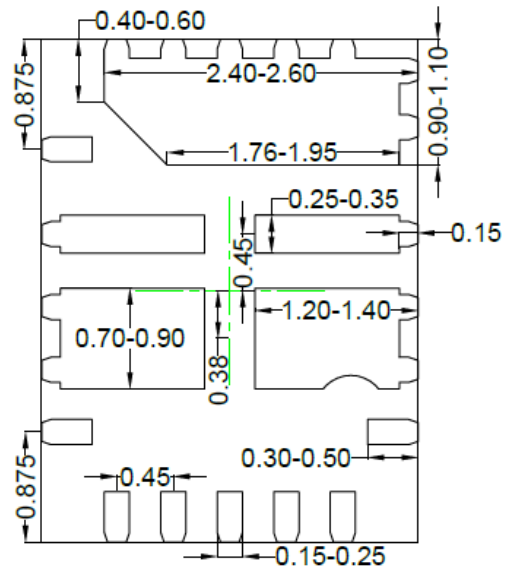
- **Input Capacitors:** Place the input capacitors close to the IN and GND pins, minimizing the loop formed by these connections. The input capacitor should be connected to the IN and GND using wide copper areas. A 0.1 $\mu$ F input ceramic capacitor in parallel with C<sub>IN</sub> is recommended to reduce the input noise.
- **Output Capacitors:** Connect the C<sub>OUT</sub> negative sides to the GND pin by wide copper traces instead of vias, in order to achieve better accuracy and stability of output voltage.
- **V<sub>CC</sub> Capacitor:** Place the V<sub>CC</sub> capacitor close to V<sub>CC</sub> using short, a direct copper trace to one nearest device GND pin (pin 14).
- **BYP Capacitor:** Place the BYP capacitor close to BYP using a short, direct copper trace to the nearest device GND pin (pin 14) if the bypass function is used.
- **Feedback Network:** Place the feedback components (R<sub>1</sub>, R<sub>2</sub>, R<sub>FF</sub>, and C<sub>FF</sub>) as close to the FB pin as possible. Avoid routing the feedback line near LX, BS, or other high-frequency signals as it is noise-sensitive. Use a Kelvin connection for the feedback sampling point to C<sub>OUT</sub>, rather than the inductor output terminal.
- **LX Connection:** Keep the LX area small to prevent excessive EMI, while providing a wide copper area to minimize parasitic resistance and inductance. Use wide LX copper traces between pin 2 and pin 12 to improve efficiency.
- **BS Capacitor:** Place the BS capacitor on the same layer as the device, keep the BS voltage path (BS, LX, and C<sub>BS</sub>) as short as possible.
- **Control Signals:** It is not recommended to connect control signals directly to IN. A resistor in a range of 1k $\Omega$  to 1M $\Omega$  should be used if they are pulled high by IN.
- **GND Vias:** Place an adequate number of vias on the GND layer around the device for better thermal performance. Specifically, create good thermal contact by adding several GND vias around pin 3 and pin 11.
- **PCB Board:** A four-layer layout with 2oz copper is strongly recommended to achieve better thermal performance. Provide large copper areas for IN and GND on the top and bottom layers and maximize their size. Middle1 layer should be used as GND plane layer for conducting heat and shielding the middle2 layer signal lines from top layer crosstalk. Place signal lines on middle2 layer instead of the other layers, to reduce any cuts in the GND planes on the other layers.



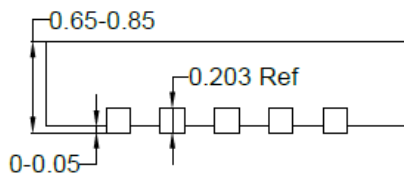
## QFN3x4-13 Package Outline and PCB Layout Design



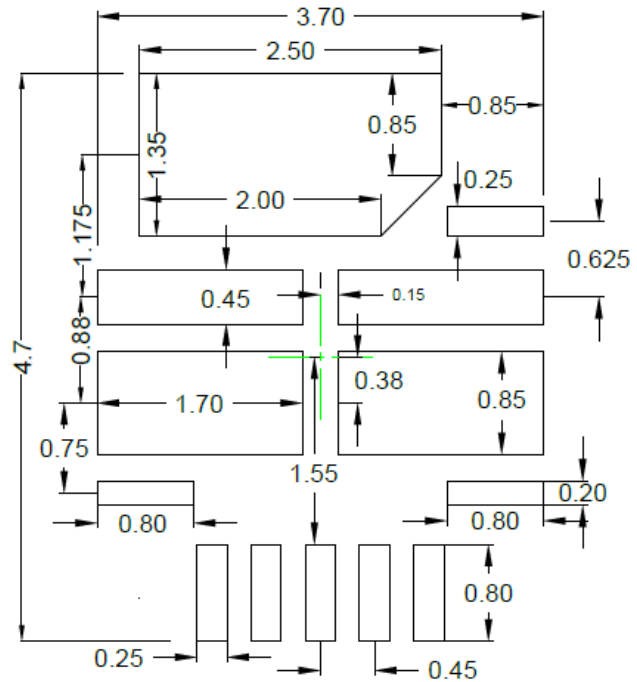
Top view



Bottom view



Side view

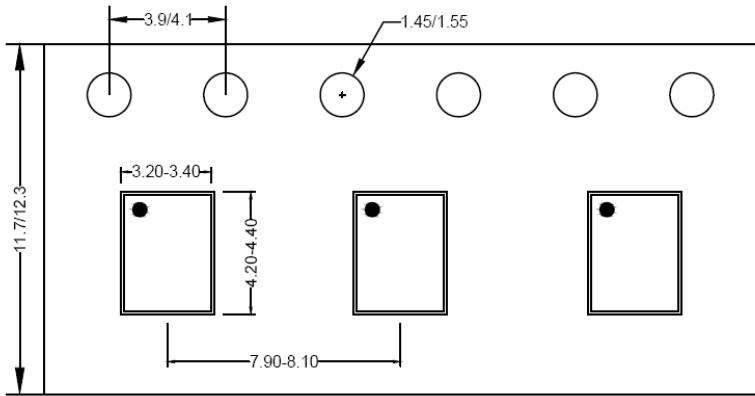


Recommended PCB layout  
(Reference only)

**Note:** All dimensions are in millimeters and exclude mold flash and metal burr. Center line indicates chip body center.

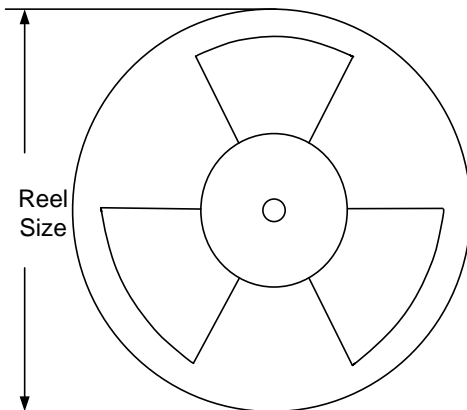
## Taping and Reel Specification

### QFN3x4-13 taping orientation



Feeding direction →

### Carrier Tape and Reel specification for packages



Package Type	Tape Width (mm)	Pocket Pitch (mm)	Reel Size (Inch)	Trailer Length (mm)	Leader Length (mm)	Qty per Reel
QFN3x4	12	8	13"	400	400	5000

Others: NA

## Revision History

The revision history provided is for informational purposes only and is believed to be accurate, however, not warranted. Please make sure that you have the latest revision.

Date	Revision	Change
Sep.17, 2022	Revision 1.0	Product Release
Sep.17, 2021	Revision 0.9C	Fix an error in page 20: tape width changes from 12mm to 8mm
Jan.22, 2021	Revision 0.9B	Add (IN-LX) voltage in Absolute Maximum Ratings; Add "A 0.1μF input ceramic capacitor is recommended to reduce the input noise." in the pin description and the layout design; Add Table1: Programmable Valley Current Limit in page 14.
Sep.9, 2020	Revision 0.9A	Revise some design formulas in the section of "Output Transient Undershoot/Overshoot" (page 16)



## IMPORTANT NOTICE

- 1. Right to make changes.** This document supersedes and replaces all information supplied prior to the publication hereof. Buyers should obtain the latest relevant information before placing orders and should verify that such information is current and complete. All semiconductor products are sold subject to Silergy's standard terms and conditions of sale.
- 2. Applications.** Application examples that are described herein for any of these products are for illustrative purposes only. Silergy makes no representation or warranty that such applications will be suitable for the specified use without further testing or modification. Buyers are responsible for the design and operation of their applications and products using Silergy products. Silergy or its subsidiaries assume no liability for any application assistance or designs of customer products. It is customer's sole responsibility to determine whether the Silergy product is suitable and fit for the customer's applications and products planned. To minimize the risks associated with customer's products and applications, customer should provide adequate design and operating safeguards. Customer represents and agrees that it has all the necessary expertise to create and implement safeguards which anticipate dangerous consequences of failures, monitor failures and their consequences, lessen the likelihood of failures that might cause harm and take appropriate remedial actions. Silergy assumes no liability related to any default, damage, costs or problem in the customer's applications or products, or the application or use by customer's third-party buyers. Customer will fully indemnify Silergy, its subsidiaries, and their representatives against any damages arising out of the use of any Silergy components in safety-critical applications. It is also buyers' sole responsibility to warrant and guarantee that any intellectual property rights of a third party are not infringed upon when integrating Silergy products into any application. Silergy assumes no responsibility for any said applications or for any use of any circuitry other than circuitry entirely embodied in a Silergy product.
- 3. Limited warranty and liability.** Information furnished by Silergy in this document is believed to be accurate and reliable. However, Silergy makes no representation or warranty, expressed or implied, as to the accuracy or completeness of such information and shall have no liability for the consequences of use of such information. In no event shall Silergy be liable for any indirect, incidental, punitive, special or consequential damages, including but not limited to lost profits, lost savings, business interruption, costs related to the removal or replacement of any products or rework charges, whether or not such damages are based on tort or negligence, warranty, breach of contract or any other legal theory. Notwithstanding any damages that customer might incur for any reason whatsoever, Silergy's aggregate and cumulative liability towards customer for the products described herein shall be limited in accordance with the Standard Terms and Conditions of Sale of Silergy.
- 4. Suitability for use.** Customer acknowledges and agrees that it is solely responsible for compliance with all legal, regulatory and safety-related requirements concerning its products, and any use of Silergy components in its applications, notwithstanding any applications-related information or support that may be provided by Silergy. Silergy products are not designed, authorized or warranted to be suitable for use in life support, life-critical or safety-critical systems or equipment, nor in applications where failure or malfunction of an Silergy product can reasonably be expected to result in personal injury, death or severe property or environmental damage. Silergy assumes no liability for inclusion and/or use of Silergy products in such equipment or applications and therefore such inclusion and/or use is at the customer's own risk.
- 5. Terms and conditions of commercial sale.** Silergy products are sold subject to the standard terms and conditions of commercial sale, as published at <http://www.silergy.com/stdterms>, unless otherwise agreed in a valid written individual agreement specifically agreed to in writing by an authorized officer of Silergy. In case an individual agreement is concluded only the terms and conditions of the respective agreement shall apply. Silergy hereby expressly objects to and denies the application of any customer's general terms and conditions with regard to the purchase of Silergy products by the customer.
- 6. No offer to sell or license.** Nothing in this document may be interpreted or construed as an offer to sell products that is open for acceptance or the grant, conveyance or implication of any license under any copyrights, patents or other industrial or intellectual property rights. Silergy makes no representation or warranty that any license, either express or implied, is granted under any patent right, copyright, mask work right, or other intellectual property right. Information published by Silergy regarding third-party products or services does not constitute a license to use such products or services or a warranty or endorsement thereof. Use of such information may require a license from a third party under the patents or other intellectual property of the third party, or a license from Silergy under the patents or other intellectual property of Silergy.

For more information, please visit: [www.silergy.com](http://www.silergy.com)

©2022 Silergy Corp.

All Rights Reserved.

## Looking for pricing, stock, or lifecycle information?

Click below to explore more details on WIN SOURCE:

 [View SY8370C1TMC on WIN SOURCE](#)

 [Silergy Corp](#) Information

## Optimize Your Supply Chain with WIN SOURCE Solutions

-  Global Sourcing Solution
-  Obsolete Management
-  Cost Control Management
-  Shortage Management
-  Alternative Solution
-  Excess Inventory Management