



THE DATASHEET OF FMG11AT148



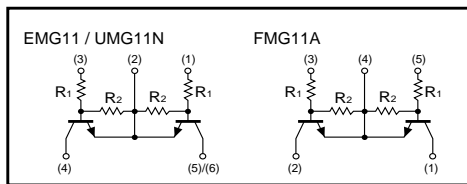
Emitter common (dual digital transistors)

EMG11 / UMG11N / FMG11A

●Features

1) Two DTA123Js chips in a EMT or UMT or SMT package.

●Equivalent circuit



●Package, marking, and packaging specifications

Type	EMG11	UMG11N	FMG11A
Package	EMT5	UMT5	SMT5
Marking	G11	G11	G11
Code	T2R	TR	T148
Basic ordering unit (pieces)	8000	3000	3000

●Absolute maximum ratings (Ta = 25°C)

Parameter	Symbol	Limits	Unit
Supply voltage	V _{CC}	50	V
Input voltage	V _{IN}	12 5	V
Output current	I _O	100	mA
Power dissipation	P _d	150(TOTAL) 300(TOTAL)	mW *1 *2
Storage temperature	T _{stg}	-50~+150	°C

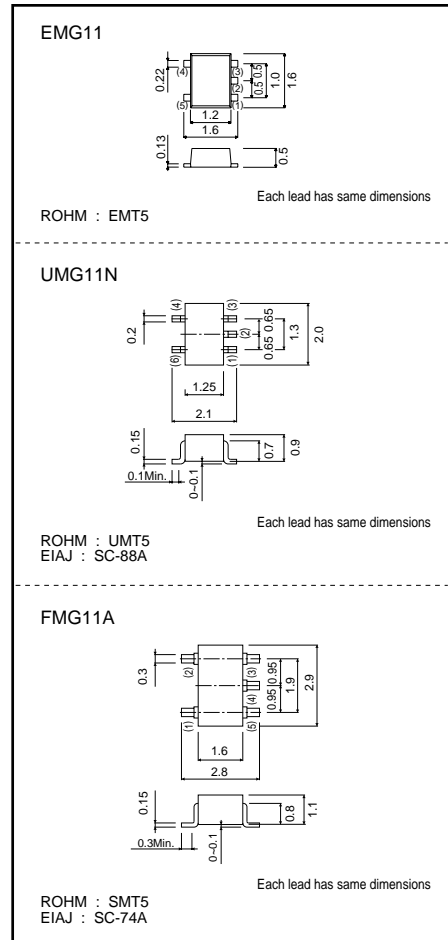
*1 120mW per element must not be exceeded.
*2 200mW per element must not be exceeded.

●Electrical characteristics (Ta = 25°C)

Parameter	Symbol	Min.	Typ.	Max.	Unit	Conditions
Input voltage	V _{I (off)}	-	-	0.5	V	V _{CC} =5V, I _O =100μA
	V _{I (on)}	1.1	-	-		V _O =0.3V, I _O =5mA
Output voltage	V _{O (on)}	-	0.1	0.3	V	I _O =5mA, I _I =0.25mA
Input current	I _I	-	-	3.6	mA	V _I =5V
Output current	I _{O (off)}	-	-	0.5	μA	V _{CC} =50V, V _I =0V
DC current gain	G _I	80	-	-	-	I _O =10mA, V _O =5V
Input resistance	R _I	-	2.2	-	kΩ	-
Transition frequency	f _T	-	250	-	MHz	V _{CE} =10V, I _E =-5mA, f=100MHz *
Resistance ratio	R ₂ /R ₁	17	21	26	-	-



*Transition frequency of the device.

●External dimensions (Units : mm)



Looking for pricing, stock, or lifecycle information?

Click below to explore more details on WIN SOURCE:

-  [View FMG11AT148](#) on WIN SOURCE
-  [Rohm Semiconductor](#) Information

Optimize Your Supply Chain with WIN SOURCE Solutions

-  Global Sourcing Solution
-  Obsolete Management
-  Cost Control Management
-  Shortage Management
-  Alternative Solution
-  Excess Inventory Management