



# THE DATASHEET OF FMG5AT148



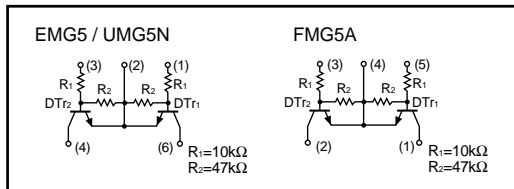
# Emitter common (dual digital transistors)

## EMG5 / UMG5N / FMG5A

●Features

- 1) Two DTC114Y chips in a EMT or UMT or SMT package.

●Equivalent circuit

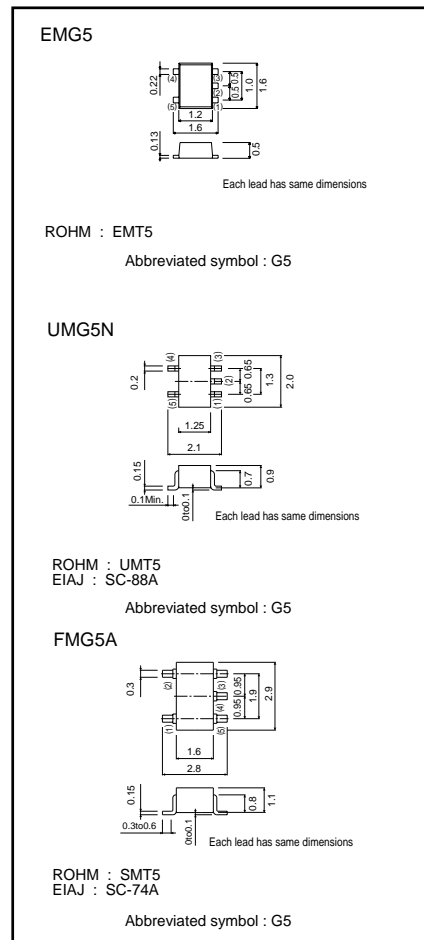


●Absolute maximum ratings (Ta = 25°C)

Parameter	Symbol	Limits	Unit
Supply voltage	V <sub>CC</sub>	50	V
Input voltage	V <sub>IN</sub>	40	V
		-6	
Output current	I <sub>O</sub>	100	mA
	I <sub>C</sub> (Max.)	100	
Power dissipation	EMG5, UMG5N	150 (TOTAL)	mW
	FMG5A	300 (TOTAL)	
Junction temperature	T <sub>j</sub>	150	°C
Storage temperature	T <sub>stg</sub>	-55~+150	°C

\*1 120mW per element must not be exceeded.  
\*2 200mW per element must not be exceeded.

●External dimensions (Units : mm)



## Transistors

## ●Electrical characteristics (Ta = 25°C)

Parameter	Symbol	Min.	Typ.	Max.	Unit	Conditions
Input voltage	V <sub>I (off)</sub>	–	–	0.3	V	V <sub>CC</sub> =5V, I <sub>O</sub> =100μA
	V <sub>I (on)</sub>	1.4	–	–		V <sub>O</sub> =0.3V, I <sub>O</sub> =1mA
Output voltage	V <sub>O (on)</sub>	–	0.1	0.3	V	I <sub>O</sub> =5mA, I <sub>I</sub> =0.25mA
Input current	I <sub>I</sub>	–	–	0.88	mA	V <sub>I</sub> =5V
Output current	I <sub>O (off)</sub>	–	–	0.5	μA	V <sub>CC</sub> =50V, V <sub>I</sub> =0V
DC current gain	G <sub>I</sub>	68	–	–	–	V <sub>O</sub> =5V, I <sub>O</sub> =5mA
Transition frequency	f <sub>T</sub>	–	250	–	MHz	V <sub>CE</sub> =–10V, I <sub>E</sub> =5mA, f=100MHz *
Input resistance	R <sub>1</sub>	7	10	13	kΩ	–
Resistance ratio	R <sub>2</sub> /R <sub>1</sub>	3.7	4.7	5.7	–	–



\* Transition frequency of the device

## ●Packaging specifications

Type	Package	Taping		
	Code	T2R	TR	T148
	Basic ordering unit (pieces)	8000	3000	3000
EMG5	○	—	—	—
UMG5N	—	○	—	—
FMG5A	—	—	—	○

## Looking for pricing, stock, or lifecycle information?

Click below to explore more details on WIN SOURCE:

-  [View FMG5AT148](#) on WIN SOURCE
-  [Rohm Semiconductor](#) Information

## Optimize Your Supply Chain with WIN SOURCE Solutions

-  Global Sourcing Solution
-  Obsolete Management
-  Cost Control Management
-  Shortage Management
-  Alternative Solution
-  Excess Inventory Management