



**THE DATASHEET OF
FOD2743CSD**



FOD2743A, FOD2743B, FOD2743C

Optically Isolated Error Amplifier

Features

- Optocoupler, precision reference and error amplifier in a single package
- 2.5V reference
- CTR 50% to 100% at 1mA
- 5,000V RMS isolation
- UL approval E90700, Vol. 2
CSA approval 1296837
VDE approval pending
BSI approval pending
- Low temperature coefficient 50ppm/°C max
- FOD2743A: tolerance 0.5%
FOD2743B: tolerance 1%
FOD2743C: tolerance 2%

Applications

- Power supplies regulation
- DC to DC converters

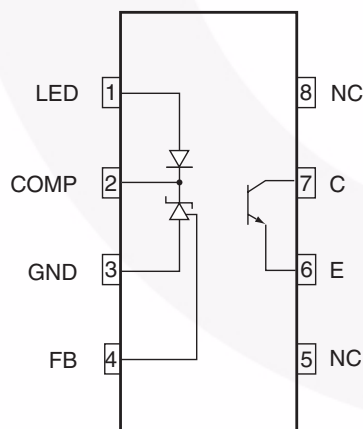
Description

The FOD2743 Optically Isolated Amplifier consists of the popular KA431 precision programmable shunt reference and an optocoupler. The optocoupler is a gallium arsenide (GaAs) light emitting diode optically coupled to a silicon phototransistor. It comes in 3 grades of reference voltage tolerance = 2%, 1%, and 0.5%.

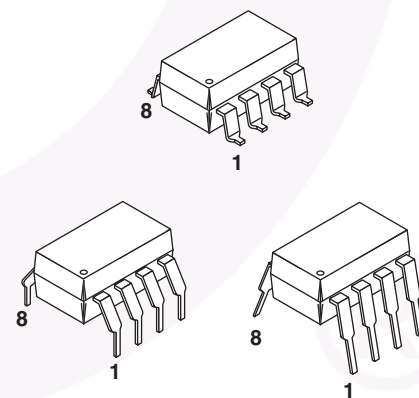
The Current Transfer Ratio (CTR) ranges from 50% to 100%. It also has an outstanding temperature coefficient of 50 ppm/°C. It is primarily intended for use as the error amplifier/reference voltage/optocoupler function in isolated AC to DC power supplies and dc/dc converters.

When using the FOD2743, power supply designers can reduce the component count and save space in tightly packaged designs. The tight tolerance reference eliminates the need for adjustments in many applications. The device comes in an 8-pin dip white package.

Functional Block Diagram



Package Outlines

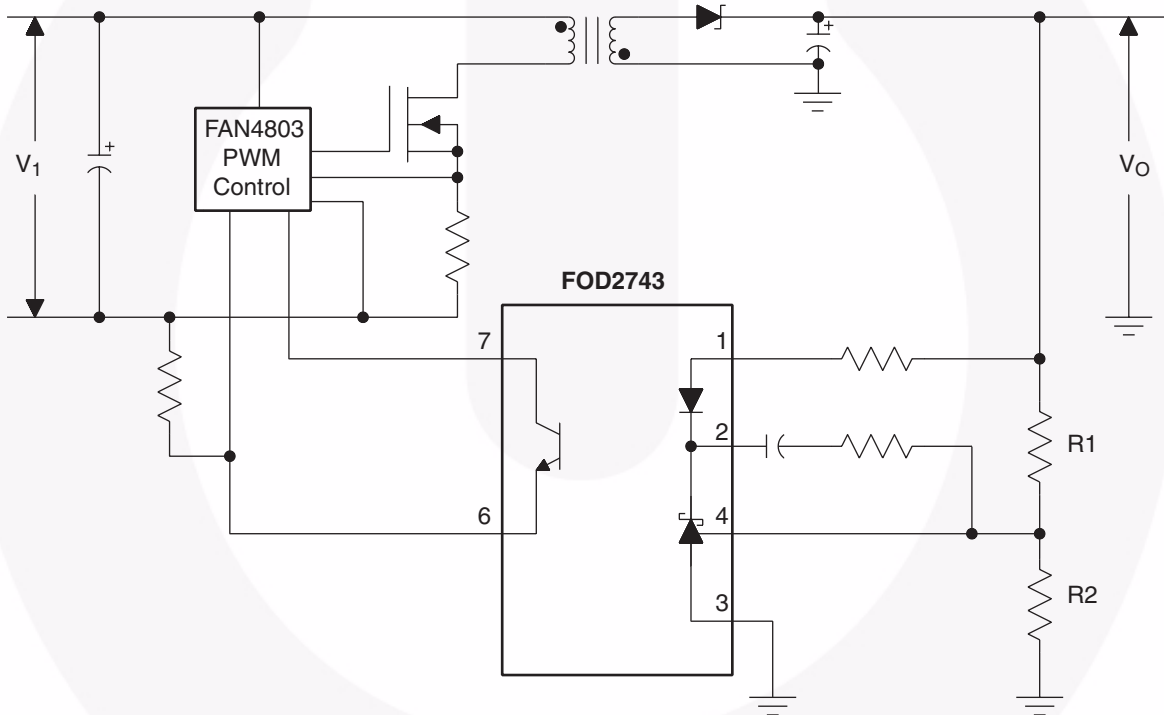


Pin Definitions

Pin Number	Pin Name	Pin Description
1	LED	Anode LED. This pin is the input to the light emitting diode.
2	COMP	Error Amplifier Compensation. This pin is the output of the error amplifier. *
3	GND	Ground
4	FB	Voltage Feedback. This pin is the inverting input to the error amplifier
5	NC	Not connected
6	E	Phototransistor Emitter
7	C	Phototransistor Collector
8	NC	Not connected

*The compensation network must be attached between pins 2 and 4.

Typical Application



Absolute Maximum Ratings ($T_A = 25^\circ\text{C}$ unless otherwise specified)

Stresses exceeding the absolute maximum ratings may damage the device. The device may not function or be operable above the recommended operating conditions and stressing the parts to these levels is not recommended. In addition, extended exposure to stresses above the recommended operating conditions may affect device reliability. The absolute maximum ratings are stress ratings only.

Symbol	Parameter	Value	Units
T_{STG}	Storage Temperature	-40 to +125	$^\circ\text{C}$
T_{OPR}	Operating Temperature	-40 to +85	$^\circ\text{C}$
T_{SOL}	Lead Solder Temperature	260 for 10 sec.	$^\circ\text{C}$
V_{LED}	Input Voltage	37	V
I_{LED}	Input DC Current	20	mA
V_{CEO}	Collector-Emitter Voltage	70	V
V_{ECO}	Emitter-Collector Voltage	7	V
I_C	Collector Current	50	mA
PD1	Input Power Dissipation	145	mW
PD2	Transistor Power Dissipation	85	mW
PD3	Total Power Dissipation ⁽¹⁾	145	mW

Note:

1. See derating graph, Figure 21.

Electrical Characteristics (T_A = 25°C unless otherwise specified)

Input Characteristics

Symbol	Parameter	Test Conditions	Device	Min.	Typ.	Max.	Unit	
V _F	LED Forward Voltage	I _{LED} = 1mA, V _{COMP} = V _{FB} (Fig.1)	All		1.07	1.2	V	
V _{REF}	Reference Voltage	I _{LED} = 1mA, V _{COMP} = V _{FB}	FOD2743A	2.482	2.495	2.508	V	
			FOD2743B	2.470	2.495	2.520	V	
			FOD2743C	2.450	2.500	2.550	V	
V _{REF (DEV)} ⁽²⁾	Deviation of V _{REF} Over Temperature ⁽²⁾	T _A = -25°C to +85°C	All		4.5	17	mV	
ΔV _{REF} /ΔV _{COMP}	Ratio of V _{REF} Variation to the Output of the Error Amplifier	I _{LED} = 1mA	All	ΔV _{COMP} = 10V to V _{REF}		-0.4	-2.7	mV/V
				ΔV _{COMP} = 36V to 10V		-0.3	-2.0	
I _{REF}	Feedback Input Current	I _{LED} = 1mA, R ₁ = 10kΩ (Fig. 3)	All		2	4	μA	
I _{REF (DEV)} ⁽²⁾	Deviation of I _{REF} Over Temperature	T _A = -25°C to +85°C	All		1	1.2	μA	
I _{LED (MIN)}	Minimum Drive Current	V _{COMP} = V _{FB} (Fig.1)	All		0.45	1.0	mA	
I _(OFF)	Off-State Error Amplifier Current	V _{LED} = 37V, V _{FB} = 0 (Fig. 4)	All		0.001	1.0	μA	
Z _{OUT}	Error Amplifier Output Impedance ⁽³⁾	V _{COMP} = V _{REF} , I _{LED} = 1mA to 20mA, f ≥ 1.0 kHz	All		0.15	0.5	Ω	

Output Characteristics

Symbol	Parameter	Test Conditions	Min.	Typ.	Max.	Unit
I _{CEO}	Collector Dark Current	V _{CE} = 10V (Fig. 5)		1	50	nA
BV _{ECO}	Emitter-Collector Voltage Breakdown	I _E = 100μA	7	10		V
BV _{CEO}	Collector-Emitter Voltage Breakdown	I _C = 1.0mA	70	100		V

Transfer Characteristics

Symbol	Parameter	Test Conditions	Min.	Typ.	Max.	Unit
CTR	Current Transfer Ratio	I _{LED} = 1mA, V _{COMP} = V _{FB} , V _{CE} = 5V (Fig. 6)	50		100	%
V _{CE (SAT)}	Collector-Emitter Saturation Voltage	I _{LED} = 1mA, V _{COMP} = V _{FB} , I _C = 0.1mA (Fig. 6)			0.4	V

Notes:

2. The deviation parameters V_{REF(DEV)} and I_{REF(DEV)} are defined as the differences between the maximum and minimum values obtained over the rated temperature range. The average full-range temperature coefficient of the reference input voltage, ΔV_{REF}, is defined as:

$$|\Delta V_{REF}|(\text{ppm}/^{\circ}\text{C}) = \frac{\{V_{REF(DEV)}/V_{REF}(T_A = 25^{\circ}\text{C})\} \times 10^6}{\Delta T_A}$$

where ΔT_A is the rated operating free-air temperature range of the device.

3. The dynamic impedance is defined as |Z_{OUT}| = ΔV_{COMP}/ΔI_{LED}. When the device is operating with two external resistors (see Figure 2), the total dynamic impedance of the circuit is given by:

$$|Z_{OUT, TOT}| = \frac{\Delta V}{\Delta I} \approx |Z_{OUT}| \times \left[1 + \frac{R1}{R2} \right]$$

Electrical Characteristics (Continued) ($T_A = 25^\circ\text{C}$ unless otherwise specified)**Isolation Characteristics**

Symbol	Parameter	Test Conditions	Min.	Typ.	Max.	Unit
I_{I-O}	Input-Output Insulation Leakage Current	RH = 45%, $T_A = 25^\circ\text{C}$, $t = 5\text{s}$, $V_{I-O} = 3000\text{ VDC}^{(4)}$			1.0	μA
V_{ISO}	Withstand Insulation Voltage	RH \leq 50%, $T_A = 25^\circ\text{C}$, $t = 1\text{ min.}^{(4)}$	5000			Vrms
R_{I-O}	Resistance (Input to Output)	$V_{I-O} = 500\text{ VDC}^{(4)}$		10^{12}		Ω

Switching Characteristics

Symbol	Parameter	Test Conditions	Min.	Typ.	Max.	Unit
BW	Bandwidth	(Fig. 7)		50		kHZ
CMH	Common Mode Transient Immunity at Output HIGH	$I_{LED} = 0\text{mA}$, $ V_{cm} = 10\text{ V}_{PP}$, $R_L = 2.2\text{k}\Omega^{(5)}$ (Fig. 8)		1.0		$\text{kV}/\mu\text{s}$
CML	Common Mode Transient Immunity at Output LOW	$(I_{LED} = 1\text{ mA})$, $ V_{cm} = 10\text{ V}_{PP}$, $R_L = 2.2\text{ k}\Omega^{(5)}$ (Fig. 8)		1.0		$\text{kV}/\mu\text{s}$

Notes:

- Device is considered as a two terminal device: Pins 1,2, 3 and 4 are shorted together and Pins 5, 6, 7 and 8 are shorted together.
- Common mode transient immunity at output high is the maximum tolerable (positive) dV_{cm}/dt on the leading edge of the common mode impulse signal, V_{cm} , to assure that the output will remain high. Common mode transient immunity at output low is the maximum tolerable (negative) dV_{cm}/dt on the trailing edge of the common pulse signal, V_{cm} , to assure that the output will remain low.

Test Circuits

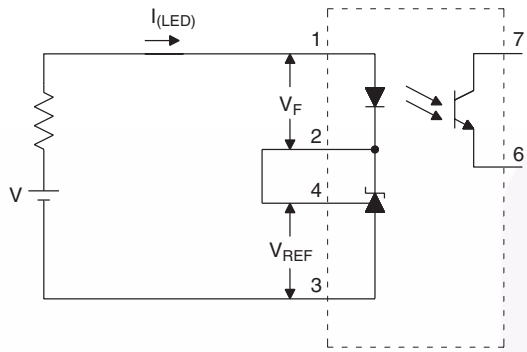


Figure 1. V_{REF} , V_F , I_{LED} (min.) Test Circuit

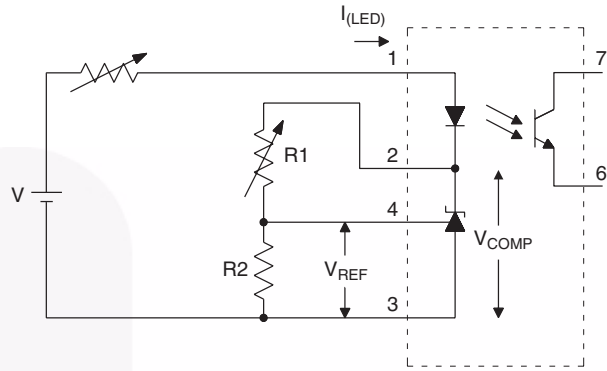


Figure 2. $\Delta V_{REF} / \Delta V_{COMP}$ Test Circuit

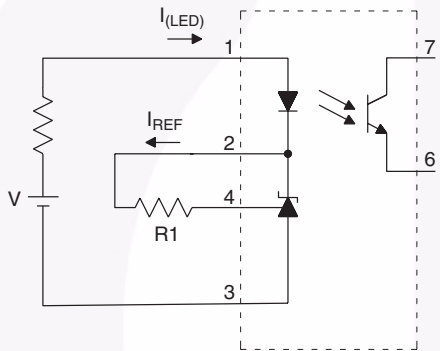


Figure 3. I_{REF} Test Circuit

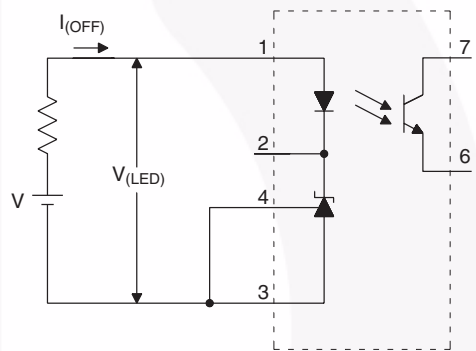


Figure 4. $I_{(OFF)}$ Test Circuit

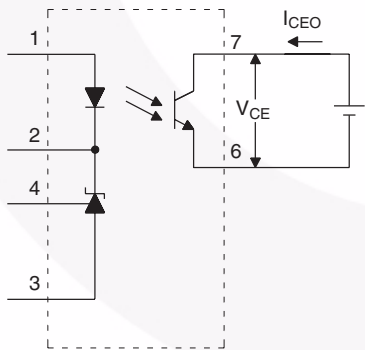


Figure 5. I_{CEO} Test Circuit

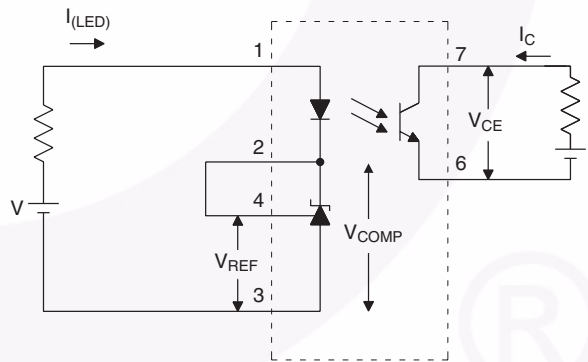


Figure 6. CTR , $V_{CE(sat)}$ Test Circuit

Test Circuits (Continued)

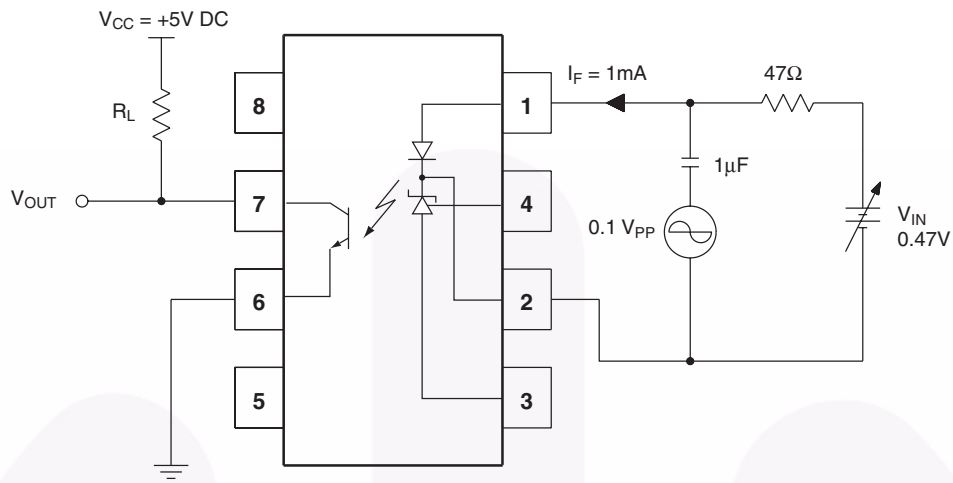


Figure 7. Frequency Response Test Circuit.

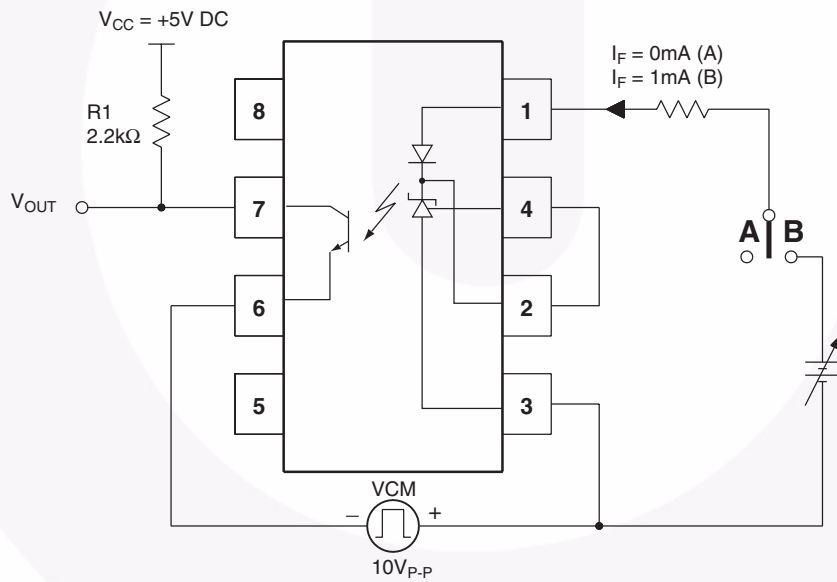


Figure 8. CMH and CML Test Circuit

Typical Performance Curves

Fig. 9a – LED Current vs. Cathode Voltage

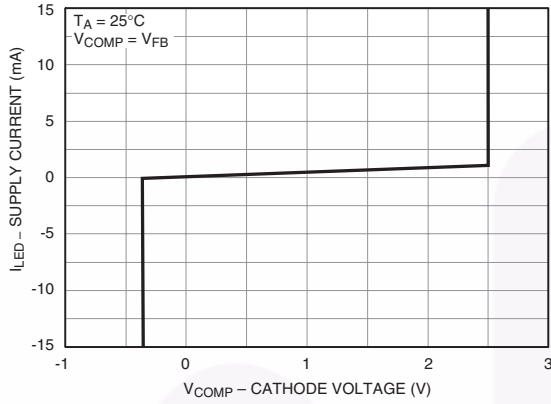


Fig. 9b – LED Current vs. Cathode Voltage

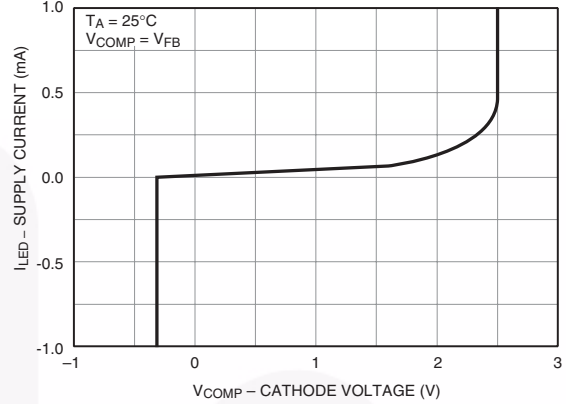


Fig. 10 – Reference Voltage Variation vs. Ambient Temperature

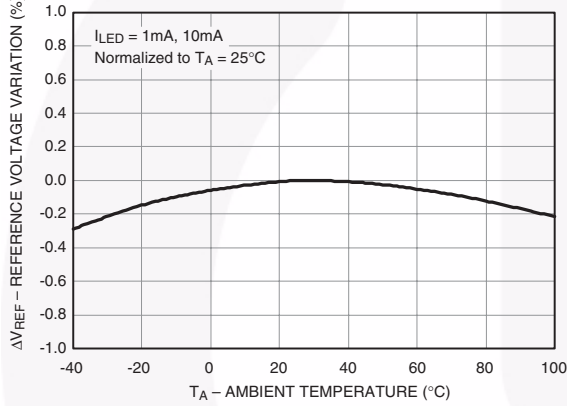


Fig. 11 – Reference Current vs. Ambient Temperature

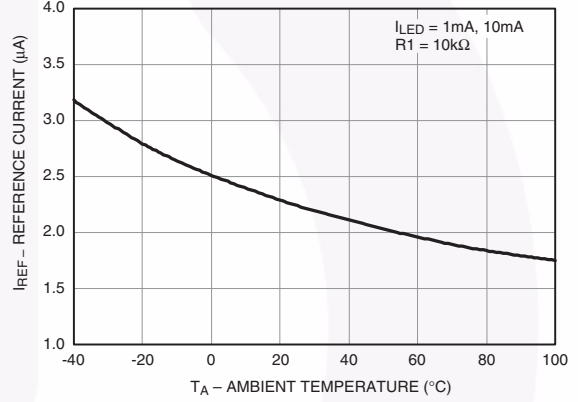


Fig. 12 – Off-State Current vs. Ambient Temperature

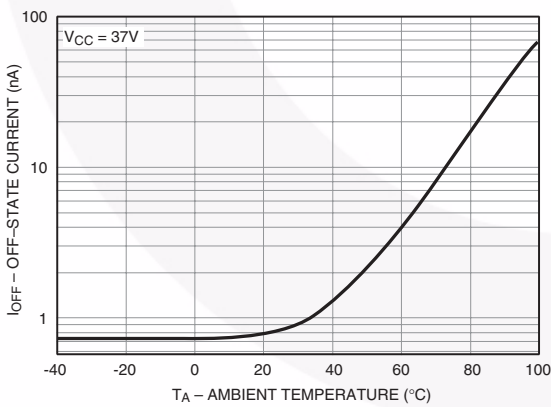
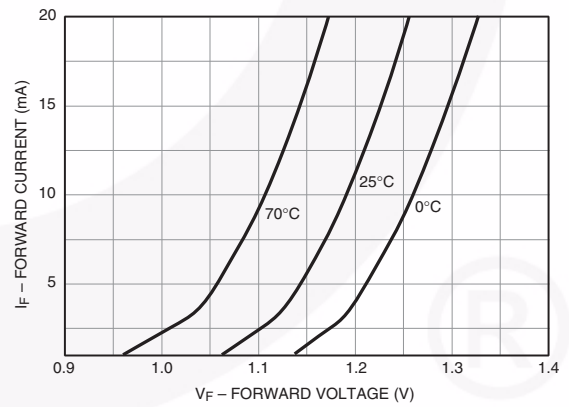


Fig. 13 – Forward Current vs. Forward Voltage



Typical Performance Curves (Continued)

Fig. 14 – Dark Current vs. Ambient Temperature

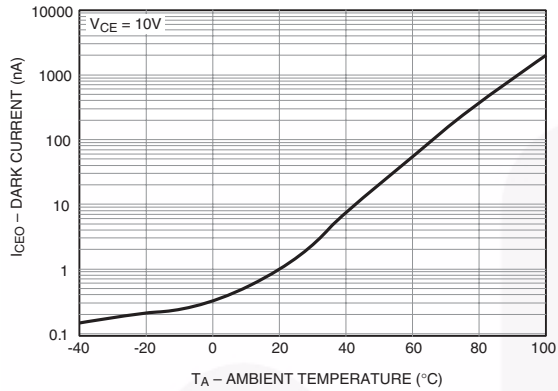


Fig. 15 – Collector Current vs. Ambient Temperature

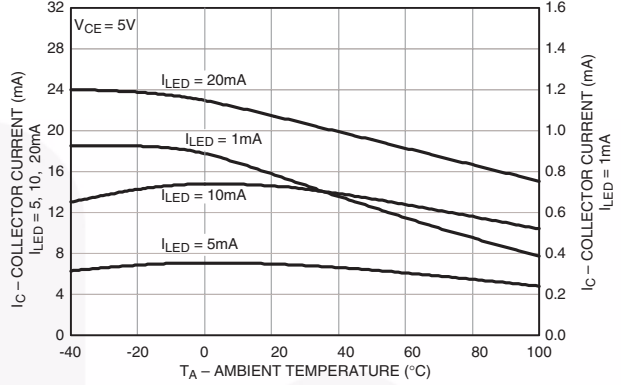


Fig. 16 – Current Transfer Ratio vs. LED Current

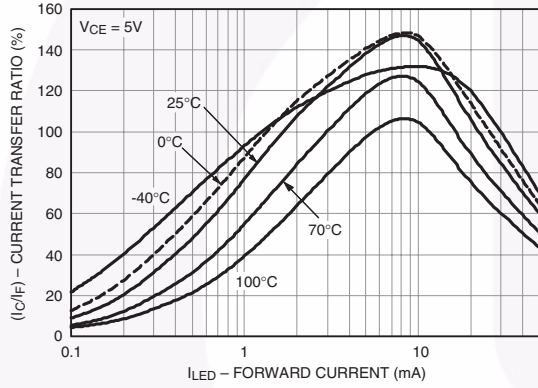


Fig. 17 – Saturation Voltage vs. Ambient Temperature

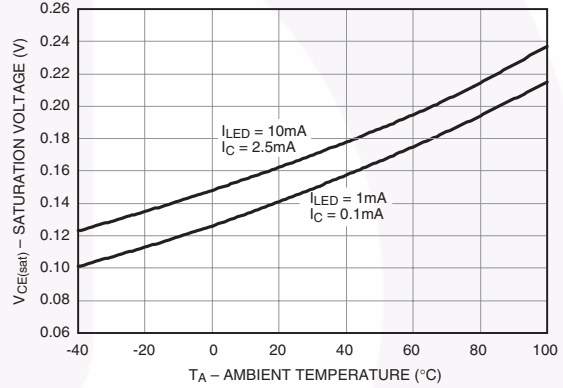


Fig. 18 – Collector Current vs. Collector Voltage

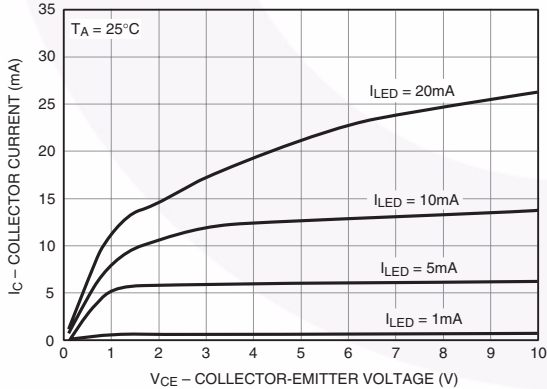
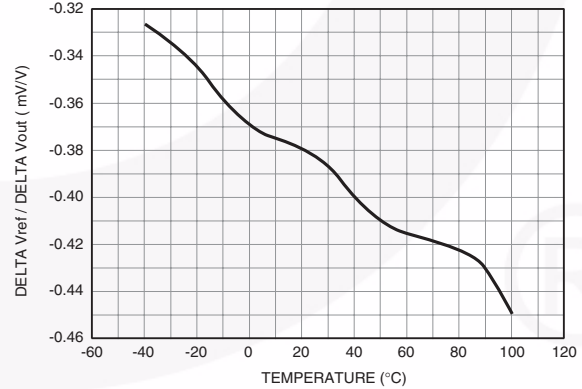
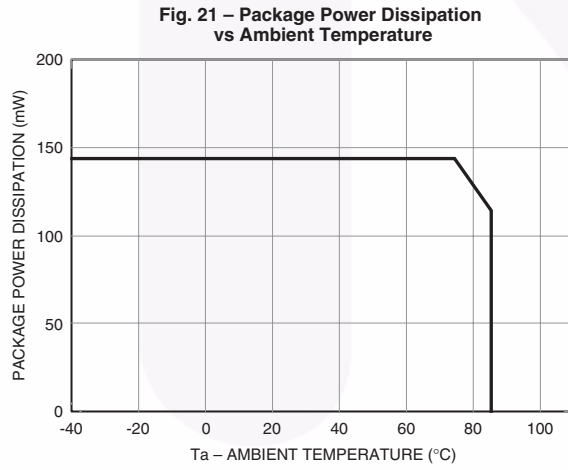
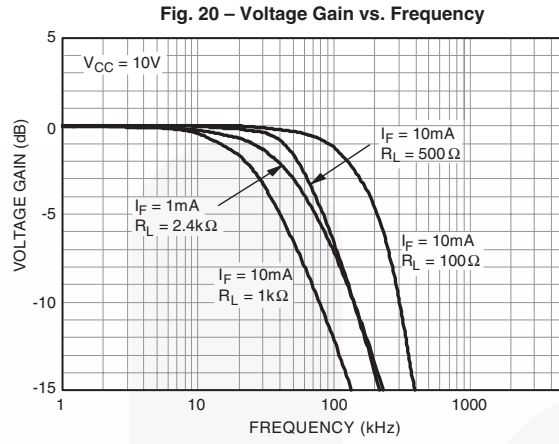


Fig. 19 – Rate of Change V_{ref} to V_{out} vs. Temperature



Typical Performance Curves (Continued)



The FOD2743

The FOD2743 is an optically isolated error amplifier. It incorporates three of the most common elements necessary to make an isolated power supply, a reference voltage, an error amplifier, and an optocoupler. It is functionally equivalent to the popular KA431 shunt voltage regulator plus the CNY17F-X optocoupler.

Powering the Secondary Side

The LED pin in the FOD2743 powers the secondary side, and in particular provides the current to run the LED. The actual structure of the FOD2743 dictates the minimum voltage that can be applied to the LED pin: The error amplifier output has a minimum of the reference voltage, and the LED is in series with that. Minimum voltage applied to the LED pin is thus $2.5V + 1.2V = 3.7V$. This voltage can be generated either directly from the output of the converter, or else from a slaved secondary winding. The secondary winding will not affect regulation, as the input to the FB pin may still be taken from the output winding.

The LED pin needs to be fed through a current limiting resistor. The value of the resistor sets the amount of current through the LED, and thus must be carefully selected in conjunction with the selection of the primary side resistor.

Feedback

Output voltage of a converter is determined by selecting a resistor divider from the regulated output to the FB pin. The FOD2743 attempts to regulate its FB pin to the reference voltage, 2.5V. The ratio of the two resistors should thus be:

$$\frac{R_{TOP}}{R_{BOTTOM}} = \frac{V_{OUT}}{V_{REF}} - 1$$

The absolute value of the top resistor is set by the input offset current of $5.2\mu A$. To achieve 0.5% accuracy, the resistance of R_{TOP} should be:

$$\frac{V_{OUT} - 2.5}{R_{TOP}} > 1040\mu A$$

Compensation

The compensation pin of the FOD2743 provides the opportunity for the designer to design the frequency response of the converter. A compensation network may be placed between the COMP pin and the FB pin. In typical low-bandwidth systems, a $0.1\mu F$ capacitor may be used. For converters with more stringent requirements, a network should be designed based on measurements of the system's loop. An excellent reference for this process may be found in "Practical Design of Power Supplies" by Ron Lenk, IEEE Press, 1998.

Secondary Ground

The GND pin should be connected to the secondary ground of the converter.

No Connect Pins

The NC pins have no internal connection. They should not have any connection to the secondary side, as this may compromise the isolation structure.

Photo-Transistor

The Photo-transistor is the output of the FOD2743. In a normal configuration the collector will be attached to a pull-up resistor and the emitter grounded. There is no base connection necessary.

The value of the pull-up resistor, and the current limiting resistor feeding the LED, must be carefully selected to account for voltage range accepted by the PWM IC, and for the variation in current transfer ratio (CTR) of the opto-isolator itself.

Example: The voltage feeding the LED pins is +12V, the voltage feeding the collector pull-up is +10V, and the PWM IC is the Fairchild FAN4803, which has a 5V reference. If we select a $10k\Omega$ resistor for the LED, the maximum current the LED can see is:

$$(12V - 4V) / 10k\Omega = 800\mu A.$$

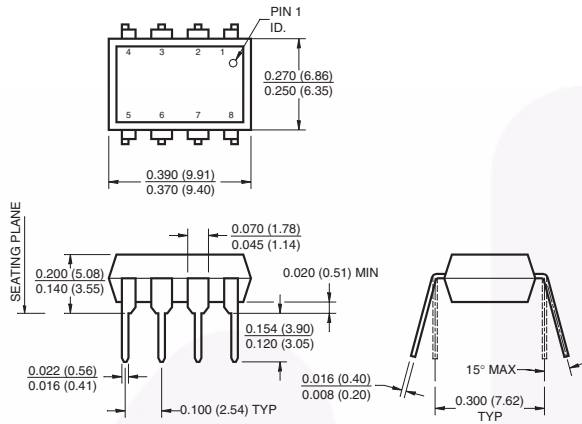
The CTR of the opto-isolator is a minimum of 50%, so the minimum collector current of the photo-transistor when the diode is full on is $400\mu A$. The collector resistor must thus be such that:

$$\frac{10V - 5V}{R_{COLLECTOR}} < 400\mu A \text{ or } R_{COLLECTOR} > 12.5k\Omega;$$

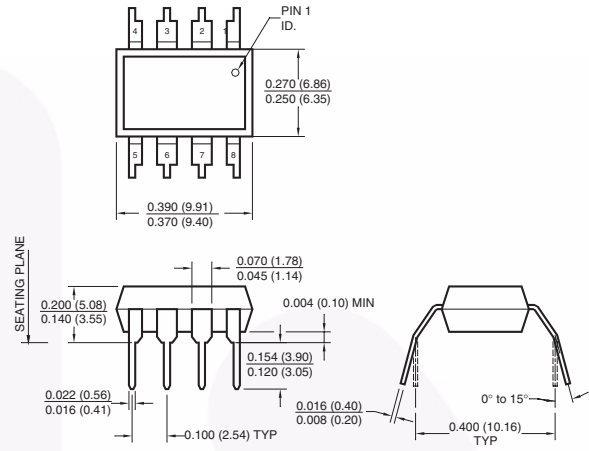
select $20k\Omega$ to allow some margin.

Package Dimensions

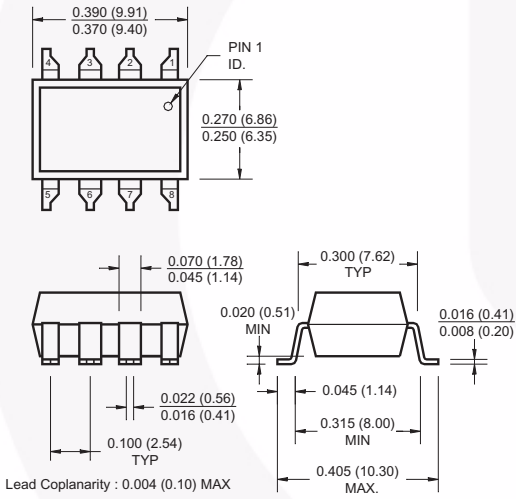
Through Hole



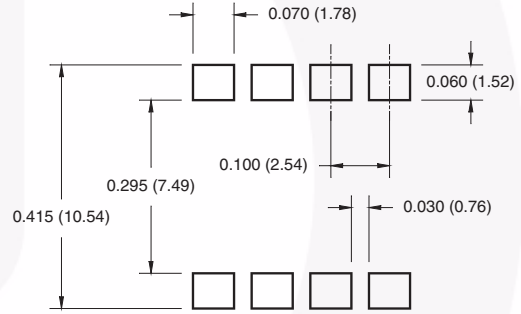
0.4" Lead Spacing



Surface Mount



8-Pin DIP – Land Pattern



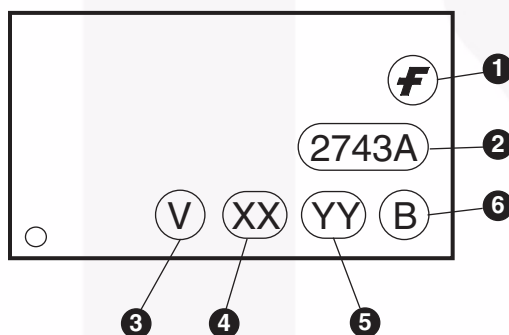
Note:

All dimensions are in inches (millimeters)

Ordering Information

Option	Example Part Number	Description
No Option	FOD2743A	Standard Through Hole
S	FOD2743AS	Surface Mount Lead Bend
SD	FOD2743ASD	Surface Mount; Tape and Reel
T	FOD2743AT	0.4" Lead Spacing
V	FOD2743AV	VDE0884
TV	FOD2743ATV	VDE0884; 0.4" Lead Spacing
SV	FOD2743ASV	VDE0884; Surface Mount
SDV	FOD2743ASDV	VDE0884; Surface Mount; Tape and Reel

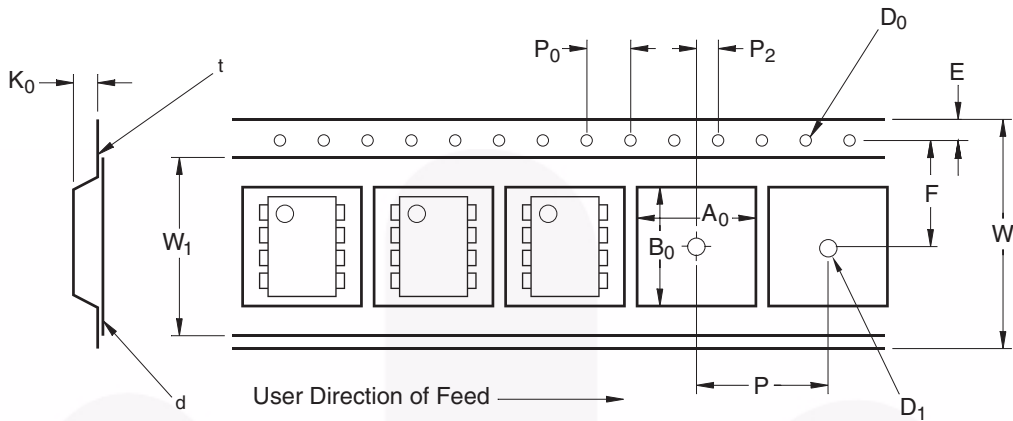
Marking Information



Definitions

1	Fairchild logo
2	Device number
3	VDE mark (Note: Only appears on parts ordered with VDE option – See order entry table)
4	Two digit year code, e.g., '03'
5	Two digit work week ranging from '01' to '53'
6	Assembly package code

Carrier Tape Specifications



Symbol	Description	Dimension in mm
W	Tape Width	16.0 ± 0.3
t	Tape Thickness	0.30 ± 0.05
P ₀	Sprocket Hole Pitch	4.0 ± 0.1
D ₀	Sprocket Hole Diameter	1.55 ± 0.05
E	Sprocket Hole Location	1.75 ± 0.10
F	Pocket Location	7.5 ± 0.1
P ₂		4.0 ± 0.1
P	Pocket Pitch	12.0 ± 0.1
A ₀	Pocket Dimensions	10.30 ± 0.20
B ₀		10.30 ± 0.20
K ₀		4.90 ± 0.20
W ₁	Cover Tape Width	1.6 ± 0.1
d	Cover Tape Thickness	0.1 max
	Max. Component Rotation or Tilt	10°
R	Min. Bending Radius	30

Reflow Profile

- Peak reflow temperature 260°C (package surface temperature)
- Time of temperature higher than 245°C 40 seconds or less
- Number of reflows Three

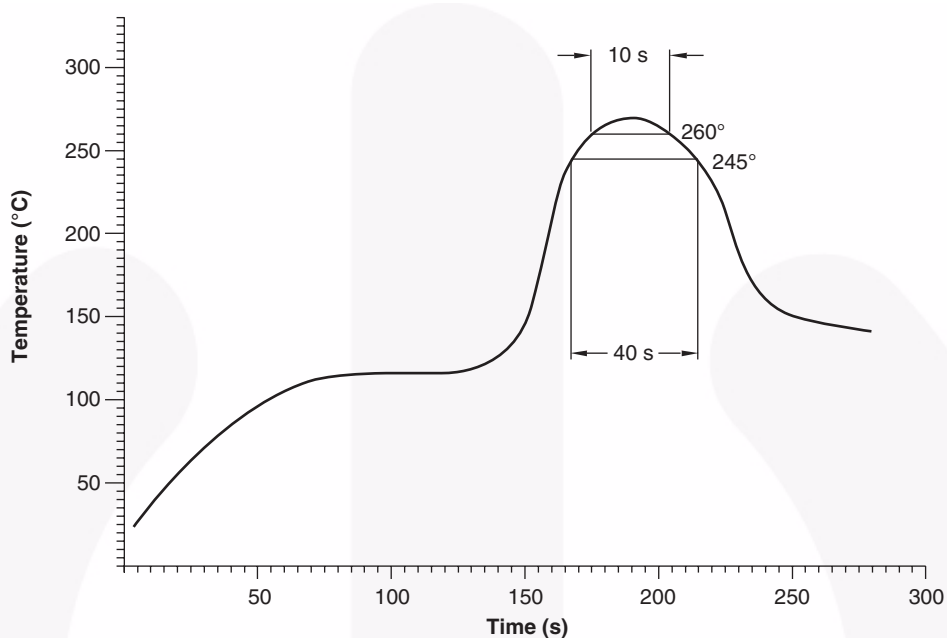


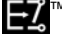




Figure 22. Recommended IR Reflow Profile





TRADEMARKS

The following includes registered and unregistered trademarks and service marks, owned by Fairchild Semiconductor and/or its global subsidiaries, and is not intended to be an exhaustive list of all such trademarks.

- | | | | |
|---|---|---|---|
| Build it Now™ | FPS™ | PDP SPM™ | The Power Franchise® |
| CorePLUS™ | F-PFS™ | Power-SPM™ | the power® |
| CorePOWER™ | FRFET® | PowerTrench® | franchise |
| CROSSVOLT™ | Global Power Resource™ | Programmable Active Droop™ | TinyBoost™ |
| CTL™ | Green FPS™ | QFET® | TinyBuck™ |
| Current Transfer Logic™ | Green FPS™ e-Series™ | QS™ | TinyLogic® |
| EcoSPARK® | GTO™ | Quiet Series™ | TINYOPTO™ |
| EfficientMax™ | IntelliMAX™ | RapidConfigure™ | TinyPower™ |
| EZSWITCH™ * | ISOPLANAR™ | Saving our world, 1mW at a time™ | TinyPWM™ |
|  | MegaBuck™ | SmartMax™ | TinyWire™ |
|  | MICROCOUPLER™ | SMART START™ | μSerDes™ |
| Fairchild® | MicroFET™ | SPM® |  |
| Fairchild Semiconductor® | MicroPak™ | STEALTH™ | UHC® |
| FACT Quiet Series™ | MillerDrive™ | SuperFET™ | Ultra FRFET™ |
| FACT® | MotionMax™ | SuperSOT™3 | UniFET™ |
| FAST® | Motion-SPM™ | SuperSOT™6 | VCX™ |
| FastvCore™ | OPTOLOGIC® | SuperSOT™8 | VisualMax™ |
| FlashWriter® * | OPTOPLANAR® | SupreMOS™ | |
| |  | SyncFET™ | |
| | |  | |

* EZSWITCH™ and FlashWriter® are trademarks of System General Corporation, used under license by Fairchild Semiconductor.

DISCLAIMER

FAIRCHILD SEMICONDUCTOR RESERVES THE RIGHT TO MAKE CHANGES WITHOUT FURTHER NOTICE TO ANY PRODUCTS HEREIN TO IMPROVE RELIABILITY, FUNCTION, OR DESIGN. FAIRCHILD DOES NOT ASSUME ANY LIABILITY ARISING OUT OF THE APPLICATION OR USE OF ANY PRODUCT OR CIRCUIT DESCRIBED HEREIN; NEITHER DOES IT CONVEY ANY LICENSE UNDER ITS PATENT RIGHTS, NOR THE RIGHTS OF OTHERS. THESE SPECIFICATIONS DO NOT EXPAND THE TERMS OF FAIRCHILD'S WORLDWIDE TERMS AND CONDITIONS, SPECIFICALLY THE WARRANTY THEREIN, WHICH COVERS THESE PRODUCTS.

LIFE SUPPORT POLICY

FAIRCHILD'S PRODUCTS ARE NOT AUTHORIZED FOR USE AS CRITICAL COMPONENTS IN LIFE SUPPORT DEVICES OR SYSTEMS WITHOUT THE EXPRESS WRITTEN APPROVAL OF FAIRCHILD SEMICONDUCTOR CORPORATION.

As used herein:

1. Life support devices or systems are devices or systems which, (a) are intended for surgical implant into the body or (b) support or sustain life, and (c) whose failure to perform when properly used in accordance with instructions for use provided in the labeling, can be reasonably expected to result in a significant injury of the user.
2. A critical component in any component of a life support, device, or system whose failure to perform can be reasonably expected to cause the failure of the life support device or system, or to affect its safety or effectiveness.

ANTI-COUNTERFEITING POLICY

Fairchild Semiconductor Corporation's Anti-Counterfeiting Policy. Fairchild's Anti-Counterfeiting Policy is also stated on our external website, www.fairchildsemi.com, under Sales Support.

Counterfeiting of semiconductor parts is a growing problem in the industry. All manufacturers of semiconductor products are experiencing counterfeiting of their parts. Customers who inadvertently purchase counterfeit parts experience many problems such as loss of brand reputation, substandard performance, failed applications, and increased cost of production and manufacturing delays. Fairchild is taking strong measures to protect ourselves and our customers from the proliferation of counterfeit parts. Fairchild strongly encourages customers to purchase Fairchild parts either directly from Fairchild or from Authorized Fairchild Distributors who are listed by country on our web page cited above. Products customers buy either from Fairchild directly or from Authorized Fairchild Distributors are genuine parts, have full traceability, meet Fairchild's quality standards for handling and storage and provide access to Fairchild's full range of up-to-date technical and product information. Fairchild and our Authorized Distributors will stand behind all warranties and will appropriately address any warranty issues that may arise. Fairchild will not provide any warranty coverage or other assistance for parts bought from Unauthorized Sources. Fairchild is committed to combat this global problem and encourage our customers to do their part in stopping this practice by buying direct or from authorized distributors.

PRODUCT STATUS DEFINITIONS



Definition of Terms

Datasheet Identification	Product Status	Definition
Advance Information	Formative / In Design	Datasheet contains the design specifications for product development. Specifications may change in any manner without notice.
Preliminary	First Production	Datasheet contains preliminary data; supplementary data will be published at a later date. Fairchild Semiconductor reserves the right to make changes at any time without notice to improve design.
No Identification Needed	Full Production	Datasheet contains final specifications. Fairchild Semiconductor reserves the right to make changes at any time without notice to improve the design.
Obsolete	Not In Production	Datasheet contains specifications on a product that is discontinued by Fairchild Semiconductor. The datasheet is for reference information only.

Rev. 135

Looking for pricing, stock, or lifecycle information?

Click below to explore more details on WIN SOURCE:

-  [View FOD2743CSD on WIN SOURCE](#)
-  [Fairchild/ON Semiconductor Information](#)

Optimize Your Supply Chain with WIN SOURCE Solutions

-  Global Sourcing Solution
-  Obsolete Management
-  Cost Control Management
-  Shortage Management
-  Alternative Solution
-  Excess Inventory Management