



THE DATASHEET OF HLEM6R-1RLF





FCIconnect.com

Configuration of Customer Documents List

| | |
|--------------|---|
| No. | Title |
| 1 SC-HLEM 01 | 1.25mm Spacing Connector for FPC/FPC (HLEM_R/S-) |
| JSA93270 | 1.25mm Spacing Connector for FPC/FPC (HLEM_S-1) |
| JSA93271 | Recommended cable and P.C. board (HLEM_R/S-) |
| JSA28789 | |
| BJM-HLEM101 | |

| | |
|--------------|--|
| No. | Title |
| 1 SC-HLEM 01 | 1.25mm Spacing Connector for FPC/FPC (HLEM_R-2) |
| JSC29055 | 1.25mm Spacing Connector for FPC/FPC (HLEM_S-2) |
| JSC29054 | Recommended cable and P.C. board (HLEM_R/S-) |
| JSA28789 | |
| BJM-HLEM101 | |

| | |
|--------------|--|
| No. | Title |
| 1 SC-HLEM 01 | 1.25mm Spacing Connector for FPC/FPC (HLEM_R-1R1LF) |
| JSA94071 | 1.25mm Spacing Connector for FPC/FPC (HLEM_S-1R1LF) |
| JSA94072 | Recommended cable and P.C. board (HLEM_R/S-) |
| JSA28789 | |
| BJM-HLEM101 | |

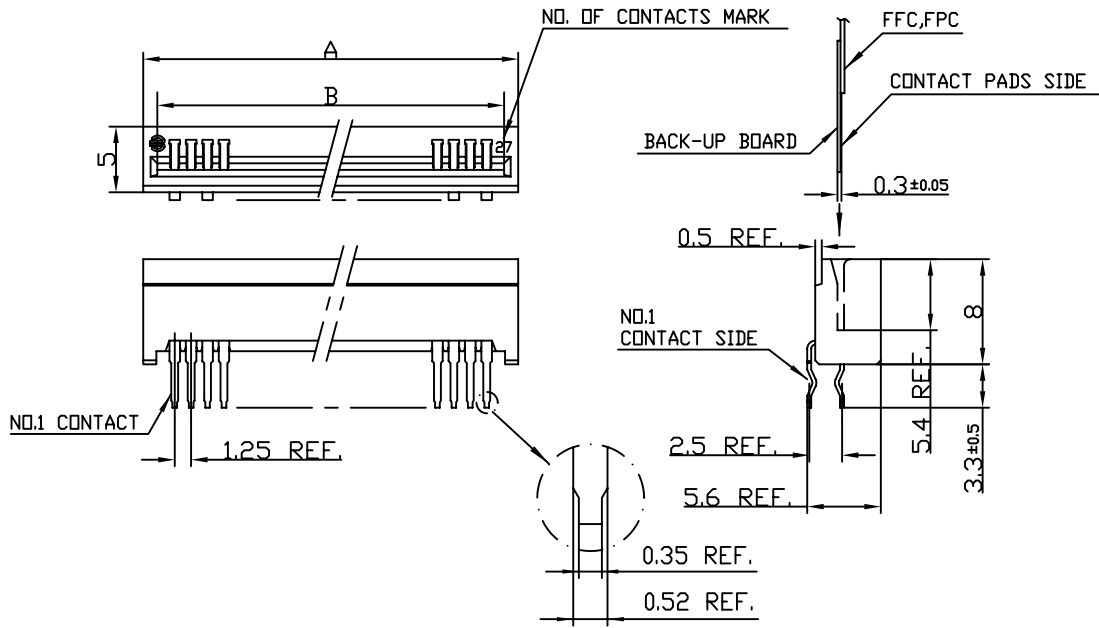
| | |
|--------------|--|
| No. | Title |
| 1 SC-HLEM 01 | 1.25mm Spacing Connector for FPC/FPC (HLEM_R-1R1LF) |
| JSA94073 | 1.25mm Spacing Connector for FPC/FPC (HLEM_S-1R1LF) |
| JSA94074 | Recommended cable and P.C. board (HLEM_R/S-) |
| JSA28789 | |
| BJM-HLEM101 | |

| | |
|--------------|--|
| No. | Title |
| 1 SC-HLEM 01 | 1.25mm Spacing Connector for FPC/FPC (HLEM_R-2R1LF) |
| JSA96132 | 1.25mm Spacing Connector for FPC/FPC (HLEM_S-2R1LF) |
| JSA96133 | Recommended cable and P.C. board (HLEM_R/S-) |
| JSA28789 | |
| BJM-HLEM101 | |

| | |
|--------------|--|
| No. | Title |
| 1 SC-HLEM 01 | 1.25mm Spacing Connector for FPC/FPC (HLEM_R-2R1LF) |
| JSA96134 | 1.25mm Spacing Connector for FPC/FPC (HLEM_S-2R1LF) |
| JSA96135 | Recommended cable and P.C. board (HLEM_R/S-) |
| JSA28789 | |
| BJM-HLEM101 | |

| mat'l. code | | surface | | tolerance | | projection | | product family | |
|-------------|----------|----------|------------|-----------------------------|------------|------------|------------|---|------|
| ltr | ecn no | dt | date | ASME Y14.5 | ASME Y14.5 | ASME Y14.5 | ASME Y14.5 | title | 58KF |
| A | J04-0253 | H/T | 2004-08-03 | tolerances unless specified | | mm | | 1.25mm Spacing Connector (Customer documents list) | |
| B | J05-0014 | H/T | 2005-01-13 | | .0±.3 | | | | |
| C | S05-0145 | D/T | 2005-08-15 | 0±.2 | .00±.10 | | | | |
| D | S05-0290 | D/T | 2005-10-14 | | .000±.050 | scale - | | | |
| E | S06-0252 | P/C | 2006-07-28 | | | | | | |
| sheet | | revision | E | Tono | | 2004-08-03 | | FCI | |
| index | | sheet | 1 | Hidokkura | | 2004-08-03 | | Product Customer Drawing | |
| | | | | Patrick Chua | | 2006-07-28 | | sheet 1 of 1 size | |
| | | | | Joey Ng | | 2006-07-28 | | A4 | |
| | | | | APPD | | | | | |

TOLERANCES
UNLESS OTHERWISE SPECIFIED : ±0.2



MATERIAL: INSULATOR : PBT RESIN GLASS REINFORCED (UL94V-0)
COLOR : BLACK
CONTACT : PHOSPHOR BRONZE (TIN PLATED ; THICKNESS: 1 micron)

| NO. OF CONTACTS | (See Note 3) CAT. NO. | DIMENSIONS | | 21 | HLEM21S-1RLF | 29.80 | 27.66 |
|-----------------|--------------------------|------------|--------|----|--------------|-------|-------|
| | | A ±0.3 | B ±0.1 | | | | |
| 3 | HLEM 3S-1RLF | 7.30 | 5.16 | 22 | HLEM22S-1RLF | 31.05 | 28.91 |
| 4 | HLEM 4S-1RLF | 8.55 | 6.41 | 23 | HLEM23S-1RLF | 32.30 | 30.16 |
| 5 | HLEM 5S-1RLF | 9.80 | 7.66 | 24 | HLEM24S-1RLF | 33.55 | 31.41 |
| 6 | HLEM 6S-1RLF | 11.05 | 8.91 | 25 | HLEM25S-1RLF | 34.80 | 32.66 |
| 7 | HLEM 7S-1RLF | 12.30 | 10.16 | 26 | HLEM26S-1RLF | 36.05 | 33.91 |
| 8 | HLEM 8S-1RLF | 13.55 | 11.41 | 27 | HLEM27S-1RLF | 37.30 | 35.16 |
| 9 | HLEM 9S-1RLF | 14.80 | 12.66 | 28 | HLEM28S-1RLF | 38.55 | 36.41 |
| 10 | HLEM10S-1RLF | 16.05 | 13.91 | 29 | HLEM29S-1RLF | 39.80 | 37.66 |
| 11 | HLEM 11S-1RLF | 17.30 | 15.16 | 30 | HLEM30S-1RLF | 41.05 | 38.91 |
| 12 | HLEM 12S-1RLF | 18.55 | 16.41 | 31 | HLEM31S-1RLF | 42.30 | 40.16 |
| 13 | HLEM13S-1RLF | 19.80 | 17.66 | 32 | HLEM32S-1RLF | 43.55 | 41.41 |
| 14 | HLEM14S-1RLF | 21.05 | 18.91 | 33 | HLEM33S-1RLF | 44.80 | 42.66 |
| 15 | HLEM15S-1RLF | 22.30 | 20.16 | 34 | HLEM34S-1RLF | 46.05 | 43.91 |
| 16 | HLEM16S-1RLF | 23.55 | 21.41 | 35 | HLEM35S-1RLF | 47.30 | 45.16 |
| 17 | HLEM17S-1RLF | 24.80 | 22.66 | 36 | HLEM36S-1RLF | 48.55 | 46.41 |
| 18 | HLEM18S-1RLF | 26.05 | 23.91 | 37 | HLEM37S-1RLF | 49.80 | 47.66 |
| 19 | HLEM19S-1RLF | 27.30 | 25.16 | 38 | HLEM38S-1RLF | 51.05 | 48.91 |
| 20 | HLEM20S-1RLF | 28.55 | 26.41 | 39 | HLEM39S-1RLF | 52.30 | 50.16 |
| | | | | 40 | HLEM40S-1RLF | 53.55 | 51.41 |

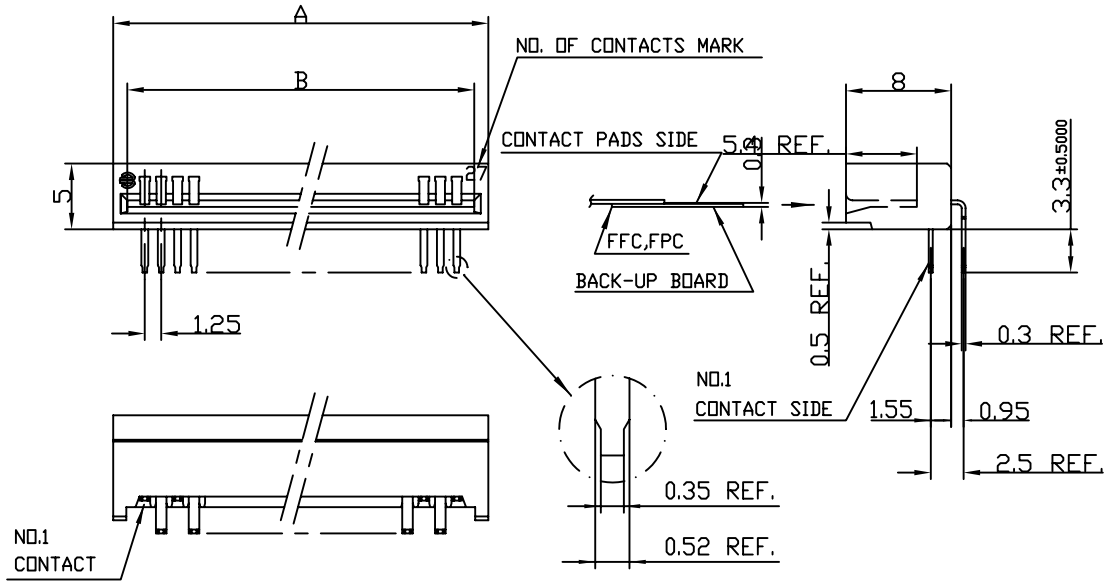
NOTES

1. THE HOUSING WILL WITHSTAND EXPOSURE TO 260 DEGREE PEAK TEMPERATURE FOR 10 SECONDS IN A WAVE SOLDER APPLICATION WITH A 1.57MM MINIMUM THICK CIRCUIT BOARD.
2. THIS PRODUCT MEETS EUROPEAN UNION DIRECTIVES AND OTHER COUNTRY REGULATIONS AS DESCRIBED IN GS-22-008.
3. PART NUMBERS ENDING IN "LF" MEANS FOR NOTE 2 LEAD FREE IDENTIFICATION.
HLEMxxR/S-1RLF IS EQUIVALENT TO PREVIOUS P/N HLEMxxR/S-1R.

HLEM_S-1RLF (See Note 3)

| | | | | | | | | | | | | | |
|-------------|--|--|--|--|--|---|--|---|--|--------------------------------------|--|--|--|
| mat'l. code | | | | surface <input checked="" type="checkbox"/> ISO 1302 | | tolerance <input checked="" type="checkbox"/> ISO 406 | | projection <input checked="" type="checkbox"/> ISO 1101 | | product family | | | |
| ltr | | | | ecn no | | dr | | date | | 58KF | | | |
| AA J04-0253 | | | | H.T. | | 2004-08-03 | | | | title | | | |
| AB S05-0145 | | | | D.T. | | 2005-06-24 | | | | 1.25mm Spacing Connector for FPC/FPC | | | |
| AC S06-0252 | | | | P.C. | | 2006-07-28 | | | | scale - | | | |
| | | | | dr | | M.Itsuka | | 1997-02-13 | | dwg no | | | |
| | | | | engr | | S.Ito | | 1997-02-13 | | sheet 1 of 1 | | | |
| | | | | chr | | Patrick Chua | | 2006-07-28 | | JSA 94072 | | | |
| | | | | app | | Joey Ng | | 2006-07-28 | | A4 | | | |
| sheet index | | | | revision sheet | | AC 1 | | | | type Product Customer Drawing | | | |

TOLERANCES
UNLESS OTHERWISE SPECIFIED : ±0.2



MATERIAL: INSULATOR : PBT RESIN GLASS REINFORCED (UL94V-0)

COLOR : BLACK

CONTACT : PHOSPHOR BRONZE (TIN PLATED); THICKNESS: 1 micron)

| NO. OF CONTACTS | CAT. NO. | DIMENSIONS | | 21 | HLEM21R-2R | 29.80 | 27.66 |
|-----------------|-------------|------------|--------|----|------------|-------|-------|
| | | A ±0.3 | B ±0.1 | | | | |
| 3 | HLEM 3R-2R | 7.30 | 5.16 | 22 | HLEM22R-2R | 31.05 | 28.91 |
| 4 | HLEM 4R-2R | 8.55 | 6.41 | 23 | HLEM23R-2R | 32.30 | 30.16 |
| 5 | HLEM 5R-2R | 9.80 | 7.66 | 24 | HLEM24R-2R | 33.55 | 31.41 |
| 6 | HLEM 6R-2R | 11.05 | 8.91 | 25 | HLEM25R-2R | 34.80 | 32.66 |
| 7 | HLEM 7R-2R | 12.30 | 10.16 | 26 | HLEM26R-2R | 36.05 | 33.91 |
| 8 | HLEM 8R-2R | 13.55 | 11.41 | 27 | HLEM27R-2R | 37.30 | 35.16 |
| 9 | HLEM 9R-2R | 14.80 | 12.66 | 28 | HLEM28R-2R | 38.55 | 36.41 |
| 10 | HLEM 10R-2R | 16.05 | 13.91 | 29 | HLEM29R-2R | 39.80 | 37.66 |
| 11 | HLEM 11R-2R | 17.30 | 15.16 | 30 | HLEM30R-2R | 41.05 | 38.91 |
| 12 | HLEM 12R-2R | 18.55 | 16.41 | 31 | HLEM31R-2R | 42.30 | 40.16 |
| 13 | HLEM 13R-2R | 19.80 | 17.66 | 32 | HLEM32R-2R | 43.55 | 41.41 |
| 14 | HLEM 14R-2R | 21.05 | 18.91 | 33 | HLEM33R-2R | 44.80 | 42.66 |
| 15 | HLEM 15R-2R | 22.30 | 20.16 | 34 | HLEM34R-2R | 46.05 | 43.91 |
| 16 | HLEM 16R-2R | 23.55 | 21.41 | 35 | HLEM35R-2R | 47.30 | 45.16 |
| 17 | HLEM 17R-2R | 24.80 | 22.66 | 36 | HLEM36R-2R | 48.55 | 46.41 |
| 18 | HLEM 18R-2R | 26.05 | 23.91 | 37 | HLEM37R-2R | 49.80 | 47.66 |
| 19 | HLEM 19R-2R | 27.30 | 25.16 | 38 | HLEM38R-2R | 51.05 | 48.91 |
| 20 | HLEM 20R-2R | 28.55 | 26.41 | 39 | HLEM39R-2R | 52.30 | 50.16 |
| | | | | 40 | HLEM40R-2R | 53.55 | 51.41 |

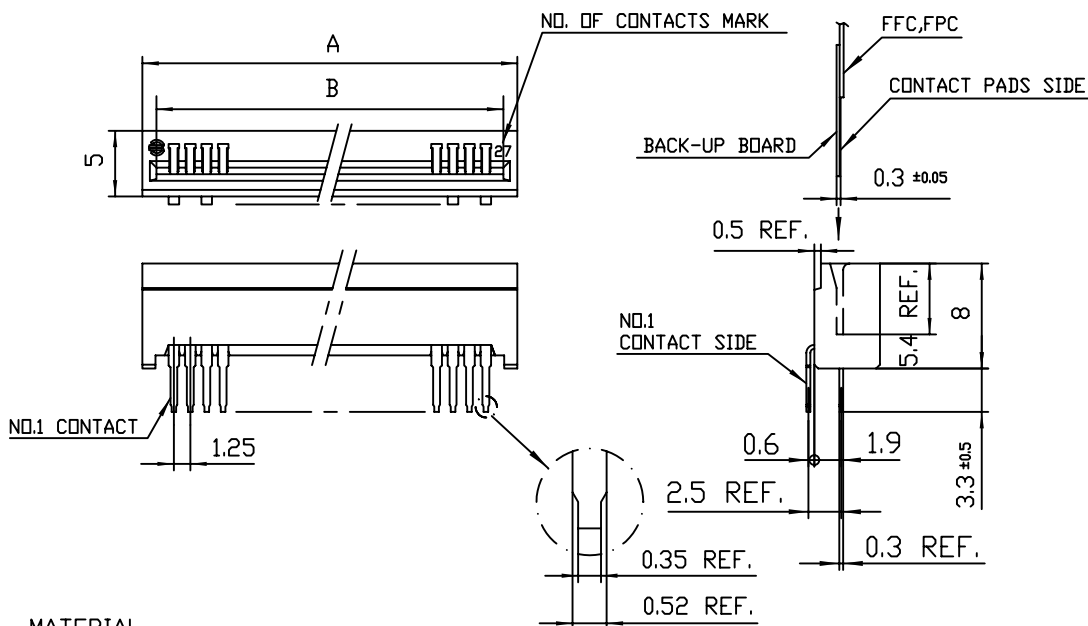
NOTES

1. THE HOUSING WILL WITHSTAND EXPOSURE TO 260 DEGREE PEAK TEMPERATURE FOR 10 SECONDS IN A WAVE SOLDERAPPLICATION WITH A 1.75MM MINIMUM THICK CIRCUIT BOARD.
2. THIS PRODUCT MEETS EUROPEAN UNION DIRECTIVES AND OTHER COUNTRY REGULATIONS AS DESCRIBED IN GS-22-008.
3. PART NUMBERS ENDING IN "LF" MEANS FOR NOTES 2 LEAD FREE IDENTIFICATION. HLEMxxR-2RLF IS EQUIVALENT TO PREVIOUS P/N HLEMxxR-2R.

(Cat. No. HLEM_R-2R) (See Note 3)

| | | | | | | | | | | | | | |
|-------------|----------|----------|------------|--|--------------|---|--|---|--|--------------------------------------|--|--------------------------|------|
| mat'l. code | | | | surface <input checked="" type="checkbox"/> ISO 1302 | | tolerance <input checked="" type="checkbox"/> ISO 406 | | projection <input checked="" type="checkbox"/> ISO 1101 | | product family | | | |
| | | | | | | | | | | 58KF | | | |
| ltr | ecn no | dr | date | tolerances unless otherwise specified | | mm | | scale - | | title | | | |
| A | J04-0439 | H.T | 2004-12-06 | angles | | linear | | | | 1.25mm Spacing Connector for FPC/FFC | | | |
| B | S05-0176 | D.T | 2005-06-24 | | | | | | | | | | |
| C | S06-0252 | P.C | 2006-07-28 | | | | | | | | | | |
| | | | | dr | H.Takakura | 2004-12-06 | | | | dwg no | | sheet 1 of 1 | size |
| | | | | enrg | H.Takakura | 2004-12-06 | | | | JSA 96132 | | A4 | |
| | | | | chr | Patrick Chua | 2006-07-28 | | | | type | | Product Customer Drawing | |
| | | | | appd | Joey Ng | 2006-07-28 | | | | | | | |
| sheet index | | revision | C | | | | | | | | | | |
| | | sheet | 1 | | | | | | | | | | |

TOLERANCES
UNLESS OTHERWISE SPECIFIED : ±0.2



MATERIAL

INSULATOR : PBT RESIN GLASS REINFORCED (UL94V-0)

COLOR : BLACK

CONTACT : PHOSPHOR BRONZE (TIN PLATED)(LEAD FREE)

| NO. OF CONTACTS | CAT. NO. | DIMENSIONS | | 21 | HLEM21S-2R | 29.80 | 27.66 |
|-----------------|-------------|------------|--------|----|------------|-------|-------|
| | | A ±0.3 | B ±0.1 | | | | |
| 3 | HLEM 3S-2R | 7.30 | 5.16 | 22 | HLEM22S-2R | 31.05 | 28.91 |
| 4 | HLEM 4S-2R | 8.55 | 6.41 | 23 | HLEM23S-2R | 32.30 | 30.16 |
| 5 | HLEM 5S-2R | 9.80 | 7.66 | 24 | HLEM24S-2R | 33.55 | 31.41 |
| 6 | HLEM 6S-2R | 11.05 | 8.91 | 25 | HLEM25S-2R | 34.80 | 32.66 |
| 7 | HLEM 7S-2R | 12.30 | 10.16 | 26 | HLEM26S-2R | 36.05 | 33.91 |
| 8 | HLEM 8S-2R | 13.55 | 11.41 | 27 | HLEM27S-2R | 37.30 | 35.16 |
| 9 | HLEM 9S-2R | 14.80 | 12.66 | 28 | HLEM28S-2R | 38.55 | 36.41 |
| 10 | HLEM 10S-2R | 16.05 | 13.91 | 29 | HLEM29S-2R | 39.80 | 37.66 |
| 11 | HLEM 11S-2R | 17.30 | 15.16 | 30 | HLEM30S-2R | 41.05 | 38.91 |
| 12 | HLEM 12S-2R | 18.55 | 16.41 | 31 | HLEM31S-2R | 42.30 | 40.16 |
| 13 | HLEM 13S-2R | 19.80 | 17.66 | 32 | HLEM32S-2R | 43.55 | 41.41 |
| 14 | HLEM 14S-2R | 21.05 | 18.91 | 33 | HLEM33S-2R | 44.80 | 42.66 |
| 15 | HLEM 15S-2R | 22.30 | 20.16 | 34 | HLEM34S-2R | 46.05 | 43.91 |
| 16 | HLEM 16S-2R | 23.55 | 21.41 | 35 | HLEM35S-2R | 47.30 | 45.16 |
| 17 | HLEM 17S-2R | 24.80 | 22.66 | 36 | HLEM36S-2R | 48.55 | 46.41 |
| 18 | HLEM 18S-2R | 26.05 | 23.91 | 37 | HLEM37S-2R | 49.80 | 47.66 |
| 19 | HLEM 19S-2R | 27.30 | 25.16 | 38 | HLEM38S-2R | 51.05 | 48.91 |
| 20 | HLEM 20S-2R | 28.55 | 26.41 | 39 | HLEM39S-2R | 52.30 | 50.16 |
| | | | | 40 | HLEM40S-2R | 53.55 | 51.41 |

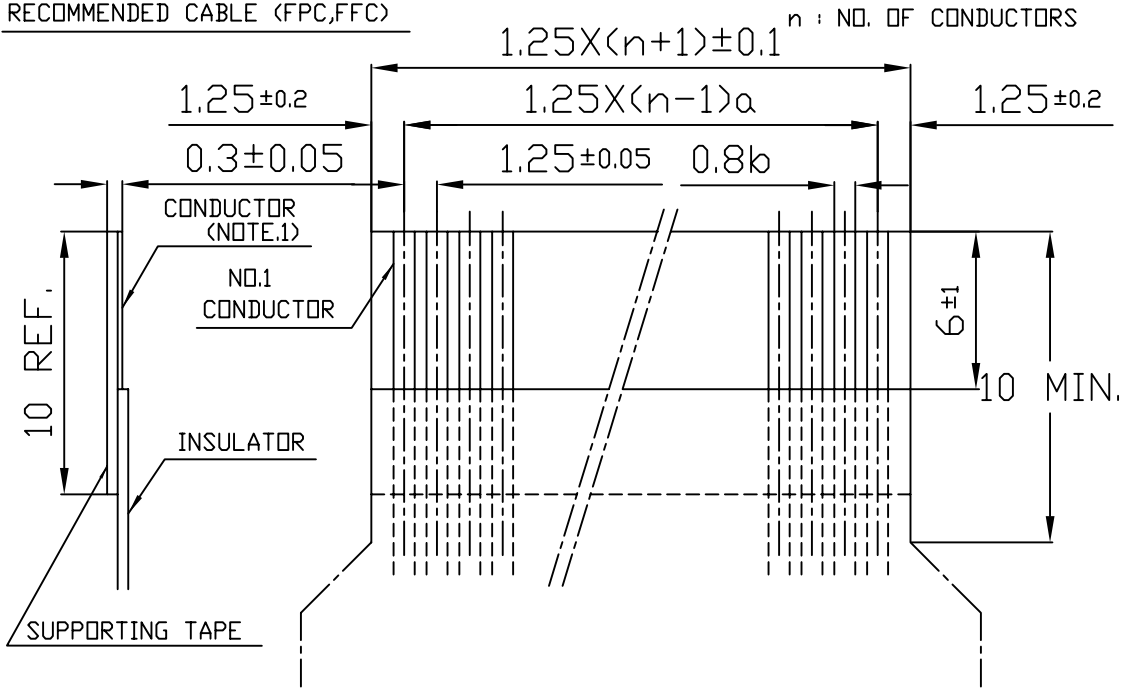
(Cat. No. HLEM_S-2R)

| | | | | | | | | | | |
|-------------|----------|-----|------------|---------------------------------------|--------------|------------|--------------------------------------|--|--------------------------|------|
| mat'l. code | | | | surface | tolerance | projection | product family | | | |
| | | | | ISO 1302 | ISO 406 | ISO 1101 | 58KF | | | |
| ltr | ecn no | dr | date | tolerances unless otherwise specified | | | title | | | |
| A | J04-0439 | H.T | 2004-12-06 | angles | linear | mm | 1.25mm Spacing Connector for FPC/FFC | | | |
| B | S05-0176 | D.T | 2005-06-24 | | | scale | | | | |
| C | S06-0252 | P.C | 2006-07-28 | dr | | | dwg no | | sheet 1 of 1 | size |
| | | | | enrg | | | JSA 96133 | | | A4 |
| | | | | chr | Patrick Chua | 2006-07-28 | type | | Product Customer Drawing | |
| | | | | appd | Joey Ng | 2006-07-28 | | | | |
| sheet index | revision | C | | | | | | | | |
| | sheet | 1 | | | | | | | | |



Copyright FCI

RECOMMENDED CABLE (FPC,FFC)



NOTE

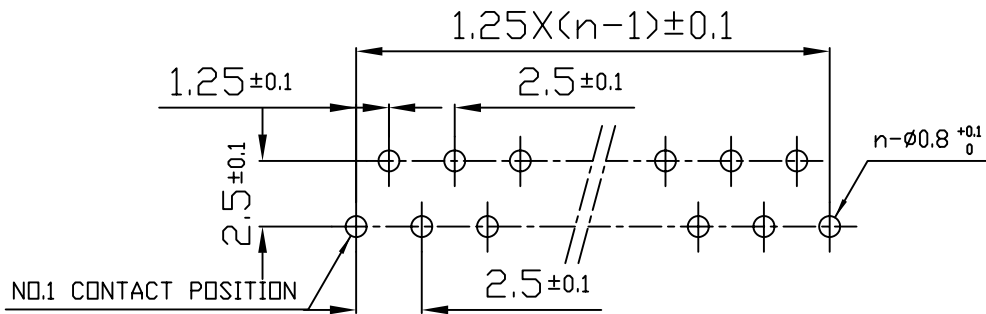
1. FINISH : SOLDER OR TIN PLATED. (1um MIN.)
2. NO BURR AT EACH POSITION.
3. NO PEELING IN COMMON USE.

| TYPE | TOLERANCES | |
|------|------------|-------|
| | a | b |
| FPC | ±0.05 | ±0.1 |
| FFC | ±0.1 | ±0.03 |

RECOMMENDED P.C. BOARD

THICKNESS : ±0.9 - 2
HOLE PATTARN (COMPONENT SIDE)

n : NO. OF CONTACTS





Cat. No. hLEM_R/S-___

| | | | | | | | | | | | | | |
|----------------------------|--|----------------|--|---------------------------------------|--|----------------------------|--|------------|--|---|--|--|--|
| mat'l. code | | | | surface ISO 1302 ✓ | | tolerance ISO 406 ISO 1101 | | projection | | product family | | | |
| ltr ecn no dr date | | | | tolerances unless otherwise specified | | .0±.3 | | mm | | 58EX | | | |
| AA J04-0253 H.T 2004-08-03 | | | | angles | | | | | | title RECOMMENDED CABLE AND P.C. BOARD | | | |
| AB S06-0252 P.C 2006-07-28 | | | | linear | | | | | | | | | |
| | | | | 0°±2° | | | | scale - | | dwg no sheet 1 of 1 size | | | |
| | | | | dr | | | | | | JSA 28789 A4 | | | |
| | | | | enrg | | | | | | type Product Customer Drawing | | | |
| | | | | chr Patrick Chua 2006-07-28 | | | | | | | | | |
| | | | | appd Joey Ng 2006-07-28 | | | | | | | | | |
| sheet index | | revision sheet | | AB 1 | | | | | | | | | |

Looking for pricing, stock, or lifecycle information?

Click below to explore more details on WIN SOURCE:

-  [View HLEM6R-1RLF on WIN SOURCE](#)
-  [Amphenol FCI Information](#)

Optimize Your Supply Chain with WIN SOURCE Solutions

-  Global Sourcing Solution
-  Obsolete Management
-  Cost Control Management
-  Shortage Management
-  Alternative Solution
-  Excess Inventory Management