



**THE DATASHEET OF
JG0-0070NL**



ELECTRICAL CHARACTERISTICS AT +25°C UNLESS OTHER SPECIFIED
(FOR REFERENCE ONLY. USED FOR CUSTOMER INFORMATION.)

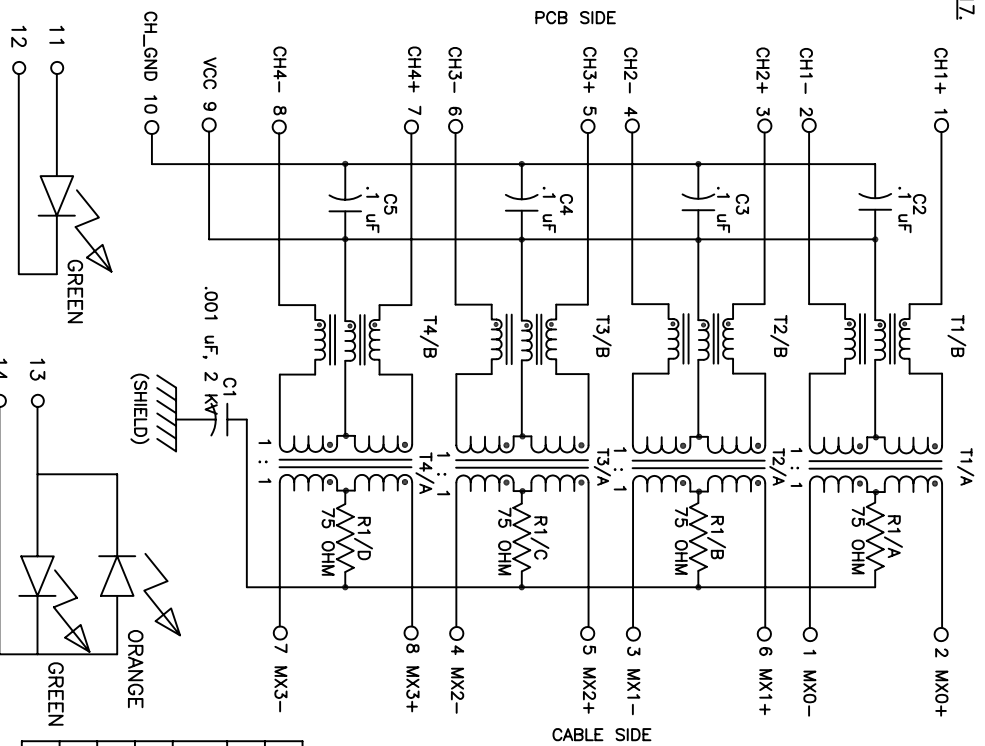
PARAMETER	SPECIFICATIONS	
	OPERATING TEMP	0°C - 70°C
TURNS RATIO	1 : 1 ±2%	
POLARITY	100 KHz	PER SCHEMATIC
		1-125 MHz
INSERTION LOSS	-1.2 DB MAX	-0.2-0.002*f ^{1.4} DB MAX
	.1-40 MHz	40-100 MHz
RETURN LOSS (Z OUT = 100 OHM ±15%)	-16 DB MIN	-10+20*LOG ₁₀ (f/80 MHz) DB MIN
INDUCTANCE (OCL) (MEDIA SIDE, 0°C-70°C)	350 uH MIN	(MEASURED AT 100 KHz, 100 mV _{RMS})
	1 MHz	10-100 MHz
CROSSTALK ADJACENT CHANNELS	-50 DB MIN	-55+22*LOG ₁₀ (f/10) DB MIN
	2 MHz	30-200 MHz
COMMON MODE REJECTION RATIO	-50 DB MIN	-15+20*LOG ₁₀ (f/200) DB MIN
INPUT - OUTPUT ISOLATION	1500 VRMS MIN @ 60 SECONDS	

NOTE: f IS FREQUENCY IN MHZ.

EMITTED COLOR	GREEN	GREEN	ORANGE
WAVELENGTH (nm)	568 nm	568 nm	610 nm
BRIGHTNESS (mCD)	12 TYP. @ 20mA	8.5 TYP. @ 20mA	6.0 TYP. @ 20mA
VIEWING ANGLE	100°	100°	100°
POWER DISSIPATION (Pd)	68 mW MAX	100 mW MAX	80 mW MAX
DC FORWARD CURRENT	150 mA MAX	150 mA MAX	150 mA MAX
FORWARD VOLTAGE (V _F)	2.2 TO 2.7 VOLTS	2.2 TO 2.6 VOLTS	2.0 TO 2.6 VOLTS

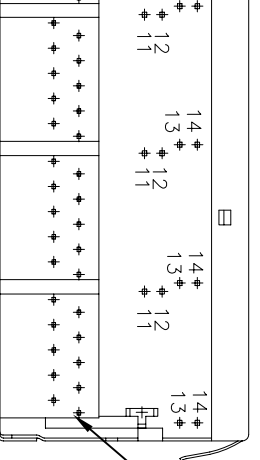
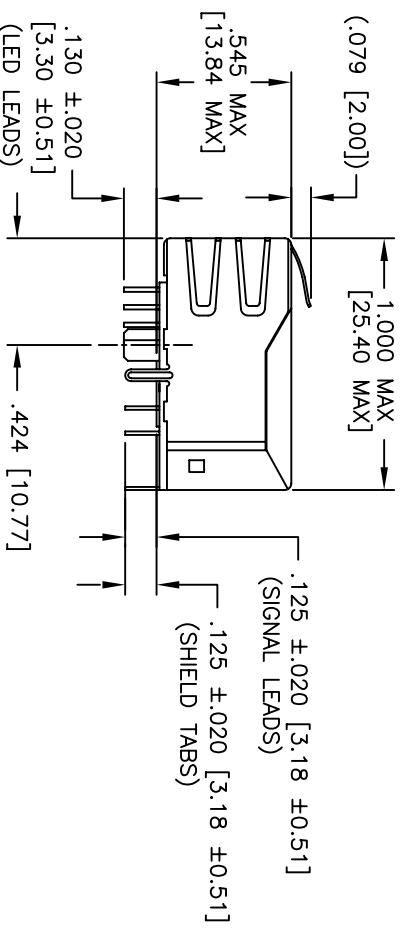
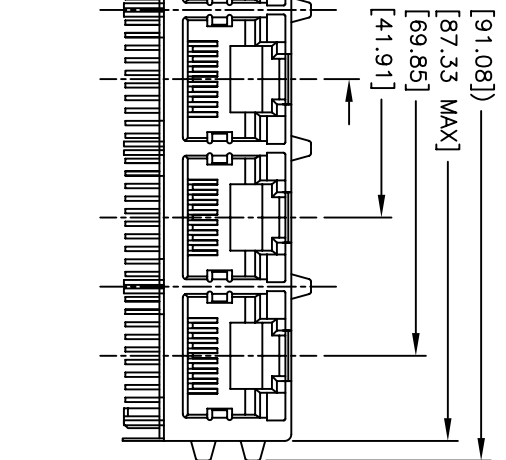
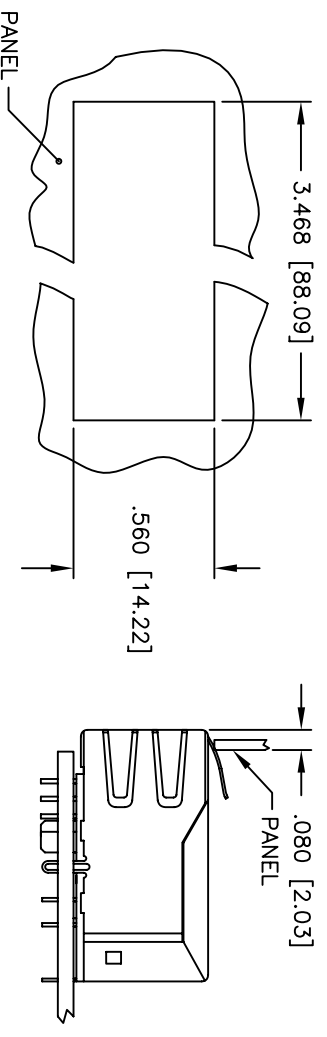
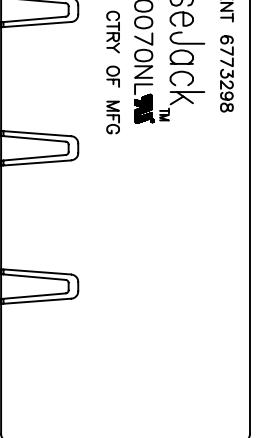
BI-COLOR

SCHEMATIC



rights reserved. Drawing specifications subject to change without notice. (06/10/11)

DESCRIPTION	PS DRAWING	SHEET:	DWG. NO./ PART NO.	REV.
5,1X6,1GD,1:1,TY	PS-2098.004-K	1	JG0-0070NL	M11



rights reserved. Drawing specifications subject to change without notice. (06/10/11)

DESCRIPTION	PS DRAWING	SHEET:	DWG. NO. / PART NO.	REV.
45,1X6,1GD,1:1,TY	PS-2098.004-K	2	JG0-0070NLT	M11

Looking for pricing, stock, or lifecycle information?

Click below to explore more details on WIN SOURCE:

 [View JG0-0070NL on WIN SOURCE](#)

 [Pulse Information](#)

Optimize Your Supply Chain with WIN SOURCE Solutions

-  Global Sourcing Solution
-  Obsolete Management
-  Cost Control Management
-  Shortage Management
-  Alternative Solution
-  Excess Inventory Management