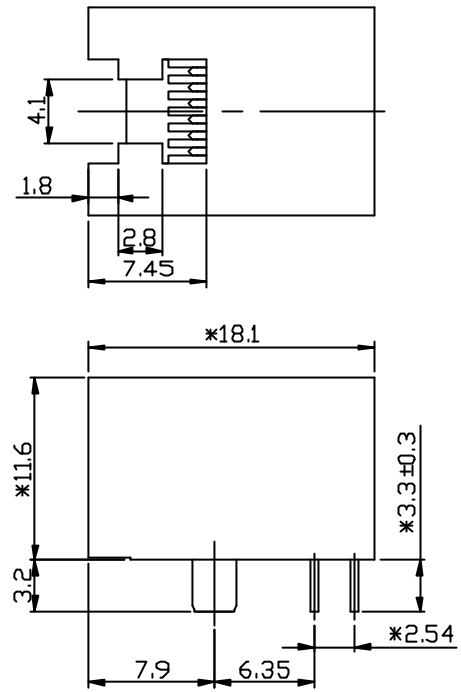
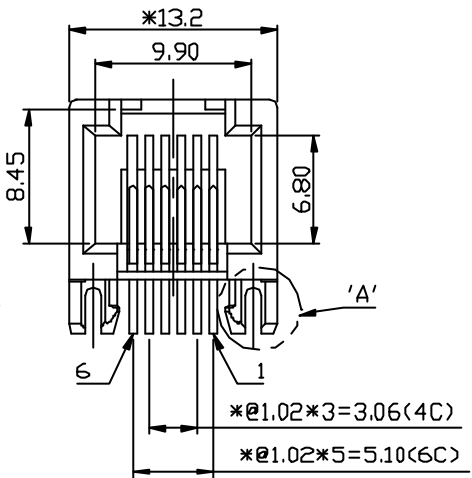
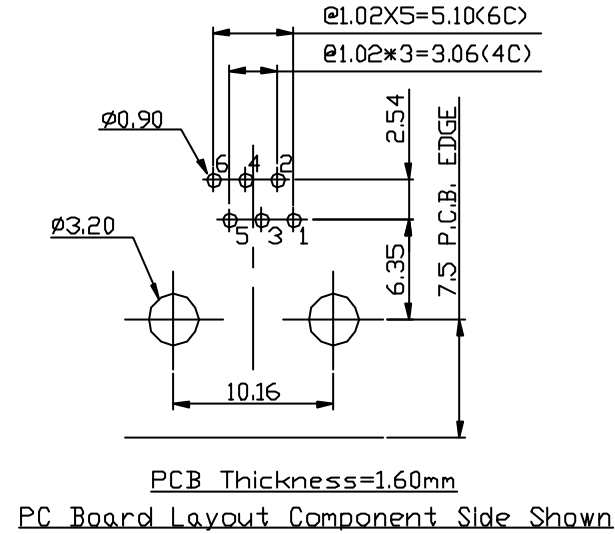




**THE DATASHEET OF  
E5366-300JG2-L**





REVISION RECORD				
REV	ECO	DESCRIPTION	DRFT	CHKD
△		MODIFY LEG DIM	CH	
△		Modify Drawing	Synge	04/02/03
△		Modify Drawing	Synge	5/22/2003
△		Modify Drawing	Synge	5/26/2003
△		Modify Drawing	Thomas	11/25/2003

NOTES:

ELECTRICAL:

- VOLTAGE RATING : 150 VAC RMS.
- CURRENT RATING : 1.5 AMP.
- CONTACT RESISTANCE: 20 MILLIOHMS MAX.
- INSULATION RESISTANCE: 1000 MEGOHMS MIN @ 500 VDC.
- DIELECTRIC STRENGTH: 1000 VAC RMS 60Hz, 1MIN.

MECHANICAL:

- HOUSING MATERIAL : GLASS FILLED POLYESTER UL94V-0.
- CONTACT MATERIAL : PHOSPHOR BRONZE  $\phi$ 0.46mm.
- PLATING : GOLD PLATING OVER NICKEL.
- OPERATING LIFE : 750 CYCLES MIN.
- PCB RETENTION PRE-SOLDER: 1 LB MIN.
- PCB RETENTION POST-SOLDER: 10 LBS MIN.

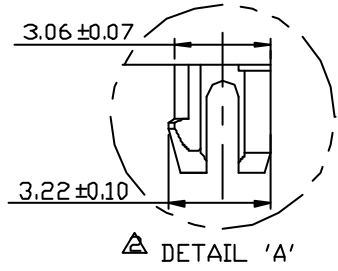
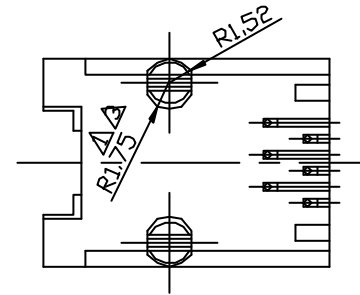
ENVIRONMENTAL:

- STORAGE : -40°C TO +85°C.
  - OPERATION: -20°C TO 85°C.
- MATES WITH MODULAR PLUG CONFORMING TO FCC PART 68, SUBPART F.

PART NUMBER: E536X-300XGX

- 4- 4C
- 6- 6C
- 1- 3u'
- 2- 6u'
- 3- 15u'
- 4- 30u'
- 5- 50u'

MATERIAL OF HS'G :  
J- PBT + G.F. WHITE.  
N- PBT + G.F. GRAY.



DETACHEE LISTS	MM CIRCLED	DFTD Thomas	DATE 11/25/2003
	TOLERANCES EXCEPT AS NOTED	CHKD MING-WO	DATE 11/25/03
		MFD LMJ	DATE 11/25/03
		APPROVUAN	DATE 11/25/03
	ANGLES ± DS	QT'Y :	
	THIRD ANGLE PROJECTION	FINISH:	
		SCALE : 3 : 1	

FULL RISE ELECTRONIC CO., LTD			
TITLE			
11.5mm SIDE PCB JACK 6P			
DRAWING NO. GE533A42	SIZE A3	REV 4	
/PART NO. SEE NOTE			
DO NOT SCALE DRAWING	SHEET 1	OF 1	

## Looking for pricing, stock, or lifecycle information?

Click below to explore more details on WIN SOURCE:

 [View E5366-300JG2-L on WIN SOURCE](#)

 [Pulse Information](#)

## Optimize Your Supply Chain with WIN SOURCE Solutions

-  Global Sourcing Solution
-  Obsolete Management
-  Cost Control Management
-  Shortage Management
-  Alternative Solution
-  Excess Inventory Management