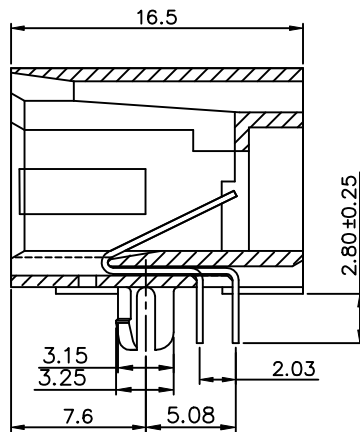
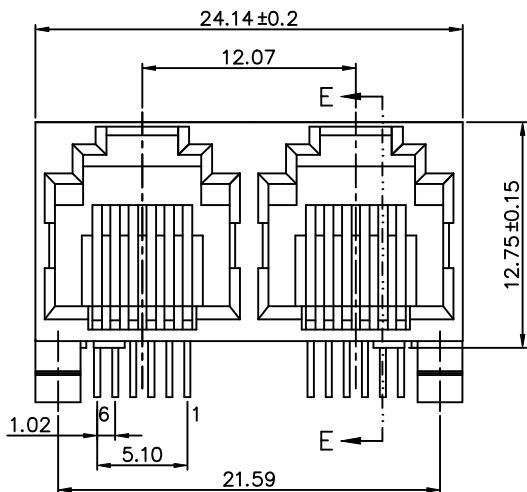




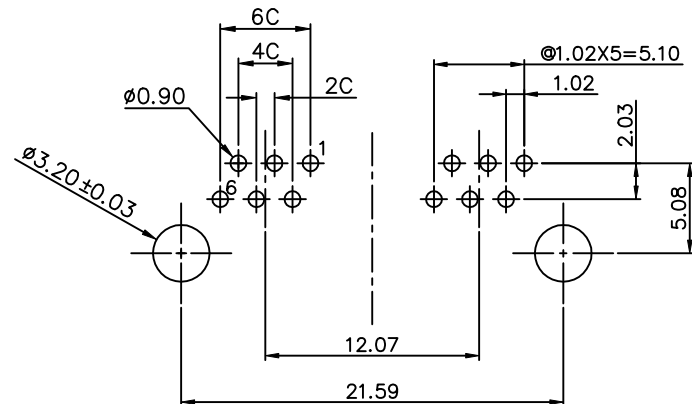
**THE DATASHEET OF
E5666-W0ALF2-L**



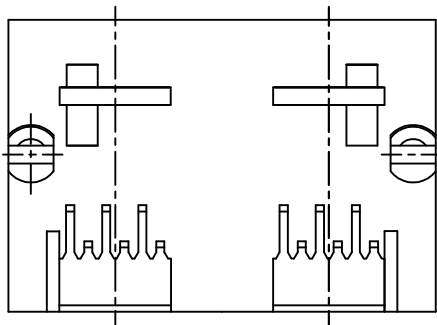
REVISION RECORD				
REV	ECO	DESCRIPTION	DRFT	CHKD
△		MODIFY DRAWING	ANKUJE	7/18/05



SETCION E-E



PC Board Layout Component Side Shown



NOTES:

ELECTRICAL:

1. VOLTAGE RATING : 125 VAC RMS.
2. CURRENT RATING : 1.5 AMP.
3. CONTACT RESISTANCE : 30 MILLIOHMS MAX.
4. INSULATION RESISTANCE: 1000 MEGOHMS MIN @ 500 VDC.
5. DIELECTRIC STRENGTH : 1000 VAC RMS 60Hz, 1MIN.

MECHANICAL:

1. HOUSING MATERIAL : HIGH TEMP. UL94V-0.
2. CONTACT MATERIAL : PHOSPHOR BRONZE t=0.35mm.
- △ 3. PLATING : 1: CONTACT AREA- SELECTIVE GOLD PLATING.
2: TAILS-TIN PLATING OVER NICKEL.
4. OPERATING LIFE : 750 CYCLES MIN.
5. PCB RETENTION PRE-SOLDER : 1 LB MIN.
6. PCB RETENTION POST-SOLDER: 10 LBS MIN.

ENVIRONMENTAL:

1. STORAGE : -40°C TO +85°C.
 2. OPERATION: 0°C TO 70°C.
 - △ 3. WAVE SOLDER TEMPERATURE: 255-265°C.(5-10 SECTION)
- MATES WITH MODULAR PLUG CONFORMING TO FCC PART 68, SUBPART F.
PART NUMBER: E566X-WOAXXX-L

- 2-6P2C
- 4-6P4C
- 6-6P6C
- 1- 3u" 2- 6u"
- 3-15u" 4-30u"
- 5-50u"

7F-FR52 BK
LF-FR52 GREY

DETACHED LISTS	MM (INCH)	DFTO SAMMY	DATE 03/14/05
	TOLERANCES EXCEPT AS NOTED	CHKDSAMMY	DATE2005/07/18
	MM	MFO	DATE
	.00 ± 0.15 ±	APPVILUSHENG	DATE2005/07/18
	.000 ± 0.075 ±	MATERIAL :	
	ANGLES ± 0.5	QT'Y :	
	THIRD ANGLE PROJECTION	FINISH :	
		SCALE :	

FULL RISE ELECTRONIC CO., LTD

TITLE
RJ11 DUAL PORT PCB JACK

DRAWING NO. GE563068-LA SIZE A3 REV 1
/PART NO. SEE NOTE

DO NOT SCALE DRAWING SHEET OF

Looking for pricing, stock, or lifecycle information?

Click below to explore more details on WIN SOURCE:

 [View E5666-W0ALF2-L on WIN SOURCE](#)

 [Pulse Information](#)

Optimize Your Supply Chain with WIN SOURCE Solutions

-  Global Sourcing Solution
-  Obsolete Management
-  Cost Control Management
-  Shortage Management
-  Alternative Solution
-  Excess Inventory Management