



**THE DATASHEET OF  
2450LP14B100T**



# High Frequency Ceramic Solutions

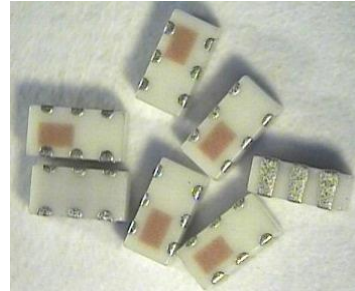
**2450 MHz Harmonic Low Pass Filter EIA 0603, SMD**

**P/N 2450LP14B100**

Detail Specification: 10/14/2019

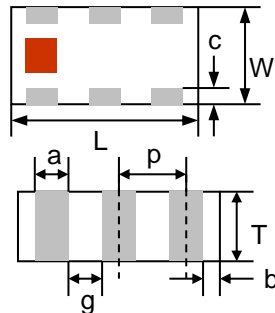
Page 1 of 3

General Specifications	
Frequency (MHz)	2400 - 2500
Insertion Loss (dB)	0.50 max.
Attenuation (min.)	35 dB @ 2 x fo
Attenuation (min.)	25 dB @ 3 x fo
Power Capacity	3W max. (CW)
Recommended Storage Conditions (unmounted/unused product on T&R)	+5 ~ +35 °C, Humidity 45~75%RH
Operating Temperature	-40 to +85°C
Storage Temperature	-40 to +85°C



Part Number Explanation				
P/N Suffix	Packing Style	Bulk	Suffix = S	2450LP14B100S
		T & R	Suffix = T	2450LP14B100T (Reel Size: 4000pcs)
	Termination style	100% Tin	Suffix = None	2450LP14B100(T/S)
	<b>50Ω SMA Connector Eval Board</b>			<b>2450LP14B100-EB-SMA (orderable p/n)</b>

Mechanical Dimensions		
	In	mm
L	0.063 ± 0.004	1.60 ± 0.10
W	0.031 ± 0.004	0.80 ± 0.10
T	0.024 ± 0.004	0.60 ± 0.10
a	0.008 ± 0.004	0.20 ± 0.10
b	0.008 +.004/-.006	0.20 +0.1/-0.15
c	0.006 ± 0.004	0.15 ± 0.10
g	0.012 ± 0.004	0.30 ± 0.10
p	0.020 ± 0.002	0.50 ± 0.05



Terminal Configuration			
No.	Function	No.	Function
1	GND	4	GND
2	IN/OUT	5	IN/OUT
3	GND	6	GND

Mounting Considerations		
	Solder Resist	<p>* Trace must be designed to a 50Ω characteristic impedance based on PCB material and thickness.</p> <p>Want the layout file or need us to revise your layout to make sure is correct? Send us a message at: <a href="https://www.johansontechnology.com/ask-a-question">https://www.johansontechnology.com/ask-a-question</a></p>
	Land	
	Through-hole (∅0.35)	
	If DC Blocking is required, use a 10-12pF capacitor in the I/Os	

Johanson Technology, Inc. reserves the right to make design changes without notice.  
All sales are subject to Johanson Technology, Inc. terms and conditions.



<https://www.johansontechnology.com>

4001 Calle Tecate • Camarillo, CA 93012 • TEL 805.389.1166 FAX 805.389.1821

Ver. 3.2

2019 Johanson Technology, Inc. All Rights Reserved

# High Frequency Ceramic Solutions

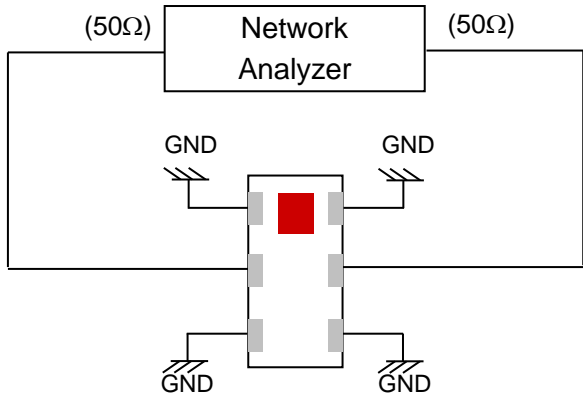
2450 MHz Harmonic Low Pass Filter EIA 0603, SMD

P/N 2450LP14B100

Detail Specification: 10/14/2019

Page 2 of 3

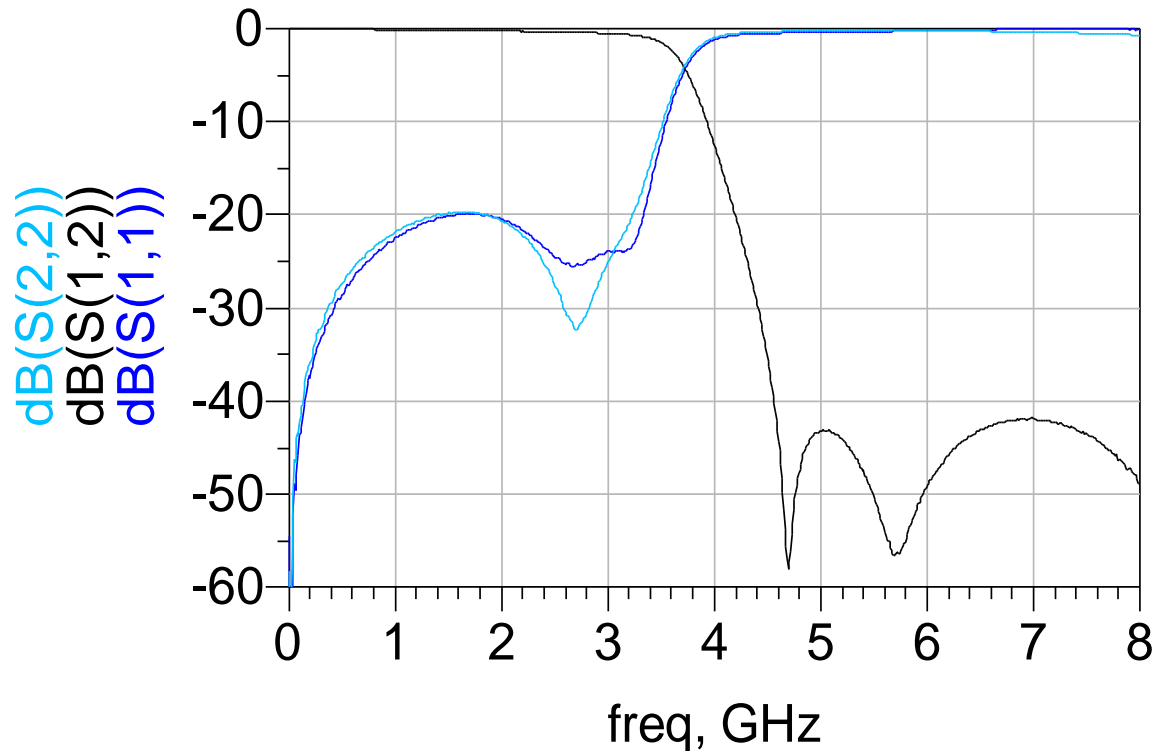
## Measuring Diagram



Click here Order the SMA-ready Evaluation Board p/n 2450LP14B100-EB-SMA:

<https://www.johansontechnology.com/request-a-sample>

## Typical Electrical Performance (T=25°C)



Johanson Technology, Inc. reserves the right to make design changes without notice.  
All sales are subject to Johanson Technology, Inc. terms and conditions.



# High Frequency Ceramic Solutions

**2450 MHz Harmonic Low Pass Filter EIA 0603, SMD**

**P/N 2450LP14B100**

Detail Specification: 10/14/2019

Page 3 of 3

<https://www.johansontechnology.com/tape-reel-packaging>

## Soldering Information

<https://www.johansontechnology.com/ipcsoldering-profile>

## RoHS Compliance

<https://www.johansontechnology.com/rohs-compliance>

## MSL Info

<https://www.johansontechnology.com/msl-rating>

## To Download Measured S-parameters for Evaluation and Simulation:

<https://www.johansontechnology.com/low-pass-filters>

## For layout review, s-params, etc., please contact our Applications Team at:

<https://www.johansontechnology.com/ask-a-question>

## Mini SMD Chip Antennas at:

<https://www.johansontechnology.com/antennas>

Johanson Technology, Inc. reserves the right to make design changes without notice.  
All sales are subject to Johanson Technology, Inc. terms and conditions.



<https://www.johansontechnology.com>

4001 Calle Tecate • Camarillo, CA 93012 • TEL 805.389.1166 FAX 805.389.1821

Ver. 3.2

2019 Johanson Technology, Inc. All Rights Reserved

## Looking for pricing, stock, or lifecycle information?

Click below to explore more details on WIN SOURCE:

 [View 2450LP14B100T on WIN SOURCE](#)

 [Johanson Technology Inc. Information](#)

## Optimize Your Supply Chain with WIN SOURCE Solutions

-  Global Sourcing Solution
-  Obsolete Management
-  Cost Control Management
-  Shortage Management
-  Alternative Solution
-  Excess Inventory Management