



**THE DATASHEET OF  
HT7530-1**



## HT73XX-A series

LDO linear regulator

### ■ Product introduction

HT73XX-A series is a positive voltage regulator circuit with low voltage difference, high precision output voltage and ultra-low power consumption current developed by practical CMOS technology. Due to the built-in low on state resistance transistor, so the output voltage difference is low, and it has high input voltage bearing capacity. The maximum working voltage can reach 12V, which is suitable for the application circuit requiring high voltage withstand.

### ■ Product features

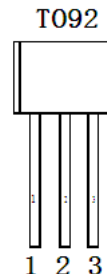
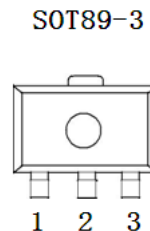
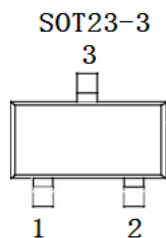
- High accuracy of output voltage: accuracy  $\pm 3\%$
- Ultra low power consumption current: typical value 3ua
- Low output voltage temperature drift: 50 ppm / °C
- High input withstand voltage: increase to 12V and keep output voltage stable
- Package form: TO-92, sot89-3, sot23-3

### ■ Product use

- Regulated power supply using battery powered equipment
- Stabilized power supply for toys
- Stabilized power supply for portable medical instruments
- Stabilized power supply of communication equipment
- Regulated power supply for mobile phone

### ■ Package form and pin function definition

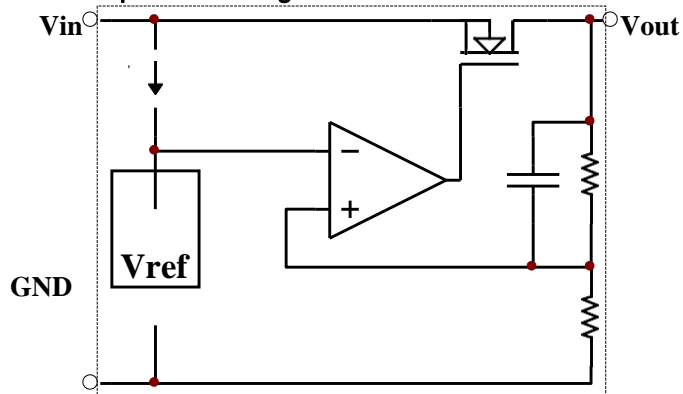
Pin No			Pin definition	Function description
TO-92	SOT89-3	SOT23-3		
1	1	1	GND	Chip ground terminal
2	2	3	VIN	Start input
3	3	2	VOUT	Chip output



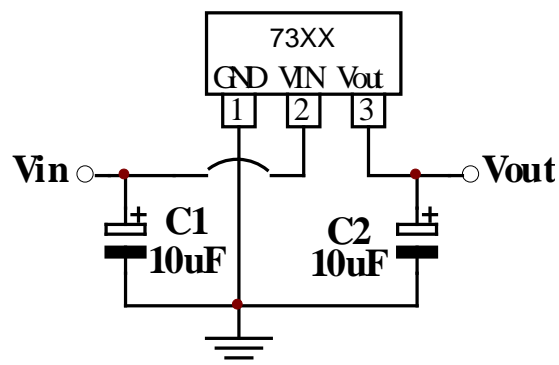
### ■ Model selection

Name	Model	Maximum input voltage (V)	Output voltage (V)	Tolerance	Packaging
HT73XX-A	HT7318-A	12	1.8	$\pm 3\%$	TO92 SOT89-3 SOT23-3
	HT7325-A	12	2.5	$\pm 3\%$	
	HT7327-A	12	2.7	$\pm 3\%$	
	HT7330-A	12	3.0	$\pm 3\%$	
	HT7333-A	12	3.3	$\pm 3\%$	
	HT7336-A	12	3.6	$\pm 3\%$	
	HT7350-A	12	5.0	$\pm 3\%$	

■ Principle block diagram



■ Application circuit



■ Limit parameter

Project	Symbol	Parameter	Limit value	Company
Voltage	VIN	Maximum input voltage	15	V
Power waste	PD	power waste	400	mW
Temperature	Tw	working temperature	-25 - 70	°C
	Tc	Storage temperature	-50 - 125	°C
	Th	welding temperature	260	°C,10s

■ electrical properties

◆ HT7318-A( T<sub>OUT</sub>=25°C)

Symbol	Parameter	Test conditions	Minimumvalue	Typical value	Maximum	Company
V <sub>OUT</sub>	output voltage	V <sub>IN</sub> =2.8V, I <sub>OUT</sub> =40mA	1.746	1.8	1.854	V
I <sub>OUT</sub>	Output current	V <sub>IN</sub> =2.8V, V <sub>OUT</sub> ≥1.62V	150	--	—	mA
ΔV <sub>OUT</sub>	Load regulation	V <sub>IN</sub> =2.8V, 1mA≤I <sub>OUT</sub> ≤60mA	—	45	90	mV
V <sub>DIF</sub>	Drop voltage	I <sub>OUT</sub> =40mA	—	170	—	mV
I <sub>SS</sub>	Quiescent current	V <sub>IN</sub> = 2.8V, no load	—	2	3	μA
ΔV <sub>OUT</sub> /(ΔV <sub>IN</sub> *V <sub>OUT</sub> )	Line Regulation	2.8V≤V <sub>IN</sub> ≤12V, I <sub>OUT</sub> =40mA	—	0.2	0.3	%/V
V <sub>IN</sub>	input voltage	—	—	—	12	V
ΔV <sub>OUT</sub> /ΔTa	temperature coefficient	V <sub>IN</sub> =2.8V, I <sub>OUT</sub> =40mA, 0°C≤Ta≤85°C	—	±0.7	—	mV/°C

◆ HT7325-A (T<sub>OPT</sub>=25°C)

Symbol	Parameter	Test conditions	Minimum value	Typical value	Maximum	Company
V <sub>OUT</sub>	output voltage	V <sub>IN</sub> =3.5V, I <sub>OUT</sub> =40mA	2.425	2.5	2.575	V
I <sub>OUT</sub>	Output current	V <sub>IN</sub> =3.5V, V <sub>OUT</sub> ≥2.25V	180	--	—	mA
ΔV <sub>OUT</sub>	Load regulation	V <sub>IN</sub> =3.5V, 1mA≤I <sub>OUT</sub> ≤60mA	—	45	90	mV
V <sub>DIF</sub>	Drop voltage	I <sub>OUT</sub> =40mA	—	110	—	mV
I <sub>SS</sub>	Quiescent current	V <sub>IN</sub> = 3.5V, no load	—	2	3	μA
ΔV <sub>OUT</sub> /(ΔV <sub>IN</sub> *V <sub>OUT</sub> )	Line Regulation	3.5V≤V <sub>IN</sub> ≤12V, I <sub>OUT</sub> =40mA	—	0.2	0.3	%/V
V <sub>IN</sub>	input voltage	—	—	—	12	V
ΔV <sub>OUT</sub> /ΔTa	temperature coefficient	V <sub>IN</sub> =3.5V, I <sub>OUT</sub> =40mA, 0°C≤Ta≤85°C	—	±0.7	—	mV/°C

◆ HT7327-A (T<sub>OPT</sub>=25°C)

Symbol	Parameter	Test conditions	Minimum value	Typical value	Maximum	Company
V <sub>OUT</sub>	output voltage	V <sub>IN</sub> =3.7V, I <sub>OUT</sub> =40mA	2.619	2.7	2.781	V
I <sub>OUT</sub>	Output current	V <sub>IN</sub> =3.7V, V <sub>OUT</sub> ≥2.43V	200	--	—	mA
ΔV <sub>OUT</sub>	Load regulation	V <sub>IN</sub> =3.7V, 1mA≤I <sub>OUT</sub> ≤60mA	—	45	90	mV
V <sub>DIF</sub>	Drop voltage	I <sub>OUT</sub> =40mA	—	100	—	mV
I <sub>SS</sub>	Quiescent current	V <sub>IN</sub> = 3.7V, no load	—	2	3	μA
ΔV <sub>OUT</sub> /(ΔV <sub>IN</sub> *V <sub>OUT</sub> )	Line Regulation	3.7V≤V <sub>IN</sub> ≤12V, I <sub>OUT</sub> =40mA	—	0.2	0.3	%/V
V <sub>IN</sub>	input voltage	—	—	—	12	V
ΔV <sub>OUT</sub> /ΔTa	temperature coefficient	V <sub>IN</sub> =3.7V, I <sub>OUT</sub> =40mA, 0°C≤Ta≤85°C	—	±0.7	—	mV/°C

◆ 7330-A (T<sub>OPT</sub>=25°C)

Symbol	Parameter	Test conditions	Minimum value	Typical value	Maximum	Company
V <sub>OUT</sub>	output voltage	V <sub>IN</sub> =4V, I <sub>OUT</sub> =40mA	2.91	3	3.09	V
I <sub>OUT</sub>	Output current	V <sub>IN</sub> =4V, V <sub>OUT</sub> ≥2.7V	250	--	—	mA
ΔV <sub>OUT</sub>	Load regulation	V <sub>IN</sub> =4V, 1mA≤I <sub>OUT</sub> ≤60mA	—	45	90	mV
V <sub>DIF</sub>	Drop voltage	I <sub>OUT</sub> =40mA	—	95	—	mV
I <sub>SS</sub>	Quiescent current	No load, V <sub>IN</sub> = 4V	—	2	3	μA
ΔV <sub>OUT</sub> /(ΔV <sub>IN</sub> *V <sub>OUT</sub> )	Line Regulation	4V≤V <sub>IN</sub> ≤12V, I <sub>OUT</sub> =40mA	—	0.2	0.3	%/V
V <sub>IN</sub>	input voltage	—	—	—	12	V
ΔV <sub>OUT</sub> /ΔTa	temperature coefficient	V <sub>IN</sub> =4V, I <sub>OUT</sub> =40mA, 0°C≤Ta≤85°C	—	±0.7	—	mV/°C

◆ HT7333-A (T<sub>OPT</sub>=25°C)

Symbol	Parameter	Test conditions	Minimum value	Typical value	Maximum	Company
V <sub>OUT</sub>	output voltage	V <sub>IN</sub> =4.3V, I <sub>OUT</sub> =40mA	3.201	3.3	3.399	V
I <sub>OUT</sub>	Output current	V <sub>IN</sub> =4.3V, V <sub>OUT</sub> ≥2.97V	250	--	—	mA
ΔV <sub>OUT</sub>	Load regulation	V <sub>IN</sub> =4.3V, 1mA≤I <sub>OUT</sub> ≤60mA	—	45	90	mV
V <sub>DIF</sub>	Drop voltage	I <sub>OUT</sub> =40mA	—	90	—	mV
I <sub>SS</sub>	Quiescent current	V <sub>IN</sub> = 4.3v, no load	—	2	3	μA
ΔV <sub>OUT</sub> /(ΔV <sub>IN</sub> *V <sub>OUT</sub> )	Line Regulation	4.3V≤V <sub>IN</sub> ≤12V, I <sub>OUT</sub> =40mA	—	0.2	0.3	%/V
V <sub>IN</sub>	input voltage	—	—	—	12	V
ΔV <sub>OUT</sub> /ΔTa	temperature coefficient	V <sub>IN</sub> =4.3V, I <sub>OUT</sub> =40mA, 0°C≤Ta≤85°C	—	±0.7	—	mV/°C

◆ HT7336-A (T<sub>OPT</sub>=25°C)

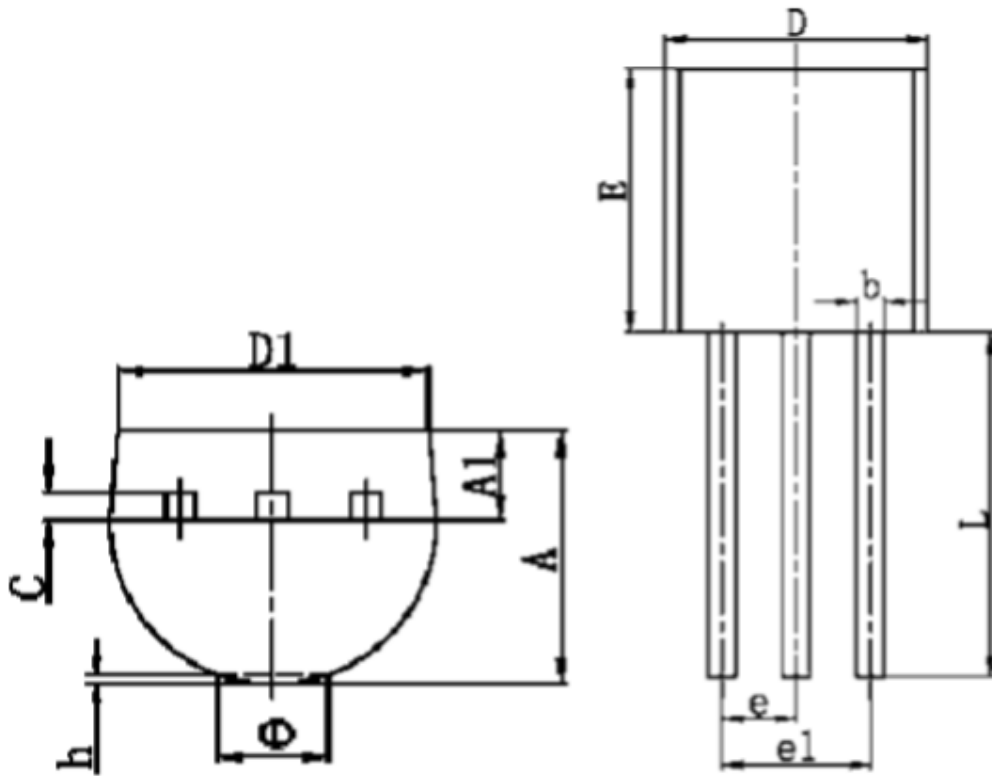
Symbol	Parameter	Test conditions	Minimum value	Typical value	Maximum	Company
V <sub>OUT</sub>	output voltage	V <sub>IN</sub> =4.5V, I <sub>OUT</sub> =40mA	3.492	3.6	3.708	V
I <sub>OUT</sub>	Output current	V <sub>IN</sub> =4.5V, V <sub>OUT</sub> ≥3.15V	250	--	—	mA
ΔV <sub>OUT</sub>	Load regulation	V <sub>IN</sub> =4.5V, 1mA≤I <sub>OUT</sub> ≤60mA	—	45	90	mV
V <sub>DIF</sub>	Drop voltage	I <sub>OUT</sub> =40mA	—	80	—	mV
I <sub>SS</sub>	Quiescent current	V <sub>IN</sub> = 4.5V, no load	—	2	3	μA
ΔV <sub>OUT</sub> /(ΔV <sub>IN</sub> *V <sub>OUT</sub> )	Line Regulation	4.5V≤V <sub>IN</sub> ≤12V, I <sub>OUT</sub> =40mA	—	0.2	0.3	%/V
V <sub>IN</sub>	input voltage	—	—	—	12	V
ΔV <sub>OUT</sub> /ΔTa	temperature coefficient	V <sub>IN</sub> =4.5V, I <sub>OUT</sub> =40mA, 0°C≤Ta≤85°C	—	±0.7	—	mV/°C

◆ HT7350-A (T<sub>OPT</sub>=25°C)

Symbol	Parameter	Test conditions	Minimum value	Typical value	Maximum	Company
V <sub>OUT</sub>	output voltage	V <sub>IN</sub> =6V, I <sub>OUT</sub> =40mA	4.85	5	5.15	V
I <sub>OUT</sub>	Output current	V <sub>IN</sub> =6V, V <sub>OUT</sub> ≥4.5V	250	--	—	mA
ΔV <sub>OUT</sub>	Load regulation	V <sub>IN</sub> =6V, 1mA≤I <sub>OUT</sub> ≤60mA	—	45	90	mV
V <sub>DIF</sub>	Drop voltage	I <sub>OUT</sub> =40mA	—	60	—	mV
I <sub>SS</sub>	Quiescent current	V <sub>IN</sub> = 6V, no load	—	2	3	μA
ΔV <sub>OUT</sub> /(ΔV <sub>IN</sub> *V <sub>OUT</sub> )	Line Regulation	6V≤V <sub>IN</sub> ≤12V, I <sub>OUT</sub> =40mA	—	0.2	0.3	%/V
V <sub>IN</sub>	input voltage	—	—	—	12	V
ΔV <sub>OUT</sub> /ΔTa	temperature coefficient	V <sub>IN</sub> =6V, I <sub>OUT</sub> =40mA, 0°C≤Ta≤85°C	—	±0.7	—	mV/°C

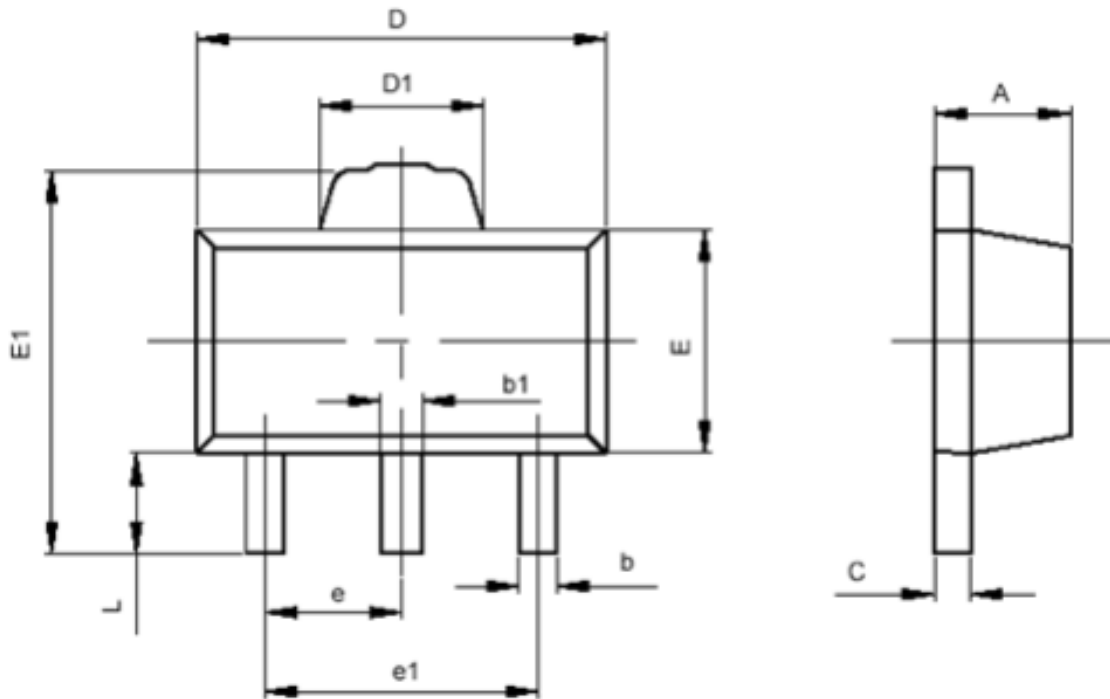
■ Encapsulation information

T0-92



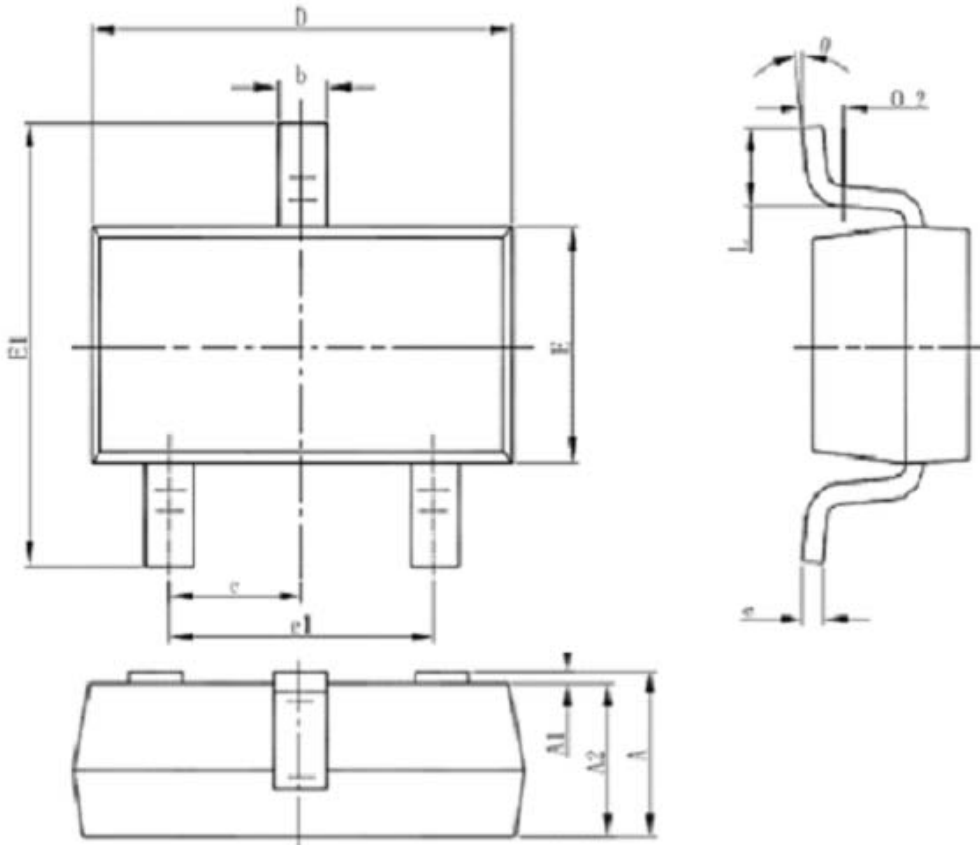
symbol	minimum ( mm ) value	maximum ( mm ) value
A	3.300	3.700
A1	1.100	1.400
b	0.380	0.550
c	0.360	0.510
D	4.400	4.700
D1	3.430	
E	4.300	4.700
e	1.270 TYP	
e1	2.440	2.640
L	14.100	14.500
Φ		1.600
h	0.000	0.380

SOT-89-3



symbol	minimum value ( mm )	maximum value ( mm )
A	1.400	1.600
b	0.320	0.520
b1	0.360	0.560
c	0.350	0.440
D	4.400	4.600
D1	1.400	1.800
E	2.300	2.600
E1	3.940	4.250
e	1.500TYP	
e1	2.900	3.100
L	0.900	1.100



SOT-23-3









Symbol	Dimensions In Millimeters		Dimensions In Inches	
	Min	Max	Min	Max
A	1.050	1.250	0.041	0.049
A1	0.000	0.100	0.000	0.004
A2	1.050	1.150	0.041	0.045
b	0.300	0.500	0.012	0.020
c	0.100	0.200	0.004	0.008
D	2.820	3.020	0.111	0.119
E	1.500	1.700	0.059	0.067
E1	2.650	2.950	0.104	0.116
e	0.950(BSC)		0.037(BSC)	
e1	1.800	2.000	0.071	0.079
L	0.300	0.600	0.012	0.024
$\theta$	0°	8°	0°	8°

## Looking for pricing, stock, or lifecycle information?

Click below to explore more details on WIN SOURCE:

-  [View HT7530-1 on WIN SOURCE](#)
-  [NXP / Nexperia Information](#)

## Optimize Your Supply Chain with WIN SOURCE Solutions

-  Global Sourcing Solution
-  Obsolete Management
-  Cost Control Management
-  Shortage Management
-  Alternative Solution
-  Excess Inventory Management