



THE DATASHEET OF ICS2402MLFT



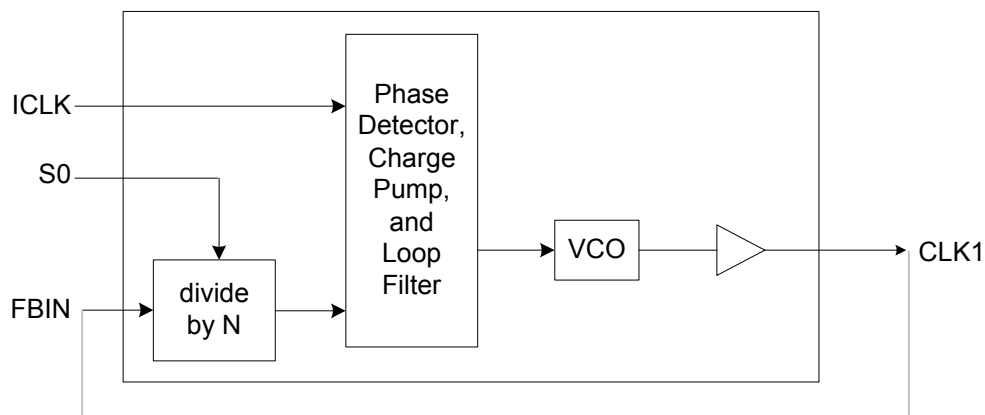
MULTIPLIER AND ZERO DELAY BUFFER
ICS2402
Description

The ICS2402 is a high-performance Zero Delay Buffer (ZDB) which integrates IDT's proprietary analog/digital Phase-Locked Loop (PLL) techniques. The chip is part of IDT's ClockBlocks™ family and was designed as a performance upgrade to meet today's higher speed and lower voltage requirements. The zero delay feature means that the rising edge of the input clock aligns with the rising edges of both output clocks, giving the appearance of no delay through the device.

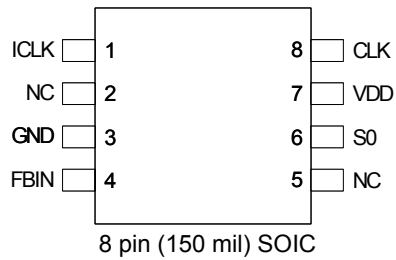
The ICS2402 is ideal for synchronizing outputs in a large variety of systems, from personal computers to data communications to graphics/video. By allowing off-chip feedback paths, the device can eliminate the delay through other devices.

Features

- 8-pin SOIC package – Pb-free, RoHS compliant
- Absolute jitter ± 100 ps
- Propagation Delay of ± 600 ps
- Output multiplier of 2X
- Output clock frequency up to 80 MHz
- Can recover degraded input clock duty cycle
- Output clock duty cycle of 45/55
- Full CMOS clock swings with 25 mA drive capability at TTL levels
- Advanced, low power CMOS process
- Operating voltage of 3.3 V or 5 V

Block Diagram


Pin Assignment



Clock Multiplier Decoding Table 1

(Multiplies Input clock by shown amount)

S0	CLK
0	2 X ICLK
1	ICLK

Pin Descriptions

Pin Number	Pin Name	Pin Type	Pin Description
1	ICLK	Input	Reference clock input.
2	NC	—	No connect. Do not connect to anything.
3	GND	Power	Connect to ground.
4	FBIN	Input	Feedback clock input.
5	NC	—	No connect. Do not connect to anything.
6	S0	Input	Select pin for Clock Multiplier Decoding Table above.
7	VDD	Power	Connect to +3.3 V or +5.0 V.
8	CLK	Output	Clock output per table above.

External Components

The ICS2402 requires a 0.01 μ F decoupling capacitor to be connected between VDD and GND. It must be connected close to the part to minimize lead inductance. No external power supply filtering is required for this device. A 33 Ω series terminating resistor can be used next to each output pin.

Absolute Maximum Ratings

Stresses above the ratings listed below can cause permanent damage to the ICS2402. These ratings, which are standard values for IDT commercially rated parts, are stress ratings only. Functional operation of the device at these or any other conditions above those indicated in the operational sections of the specifications is not implied. Exposure to absolute maximum rating conditions for extended periods can affect product reliability. Electrical parameters are guaranteed only over the recommended operating temperature range.

Item	Rating
Supply Voltage, VDD	7 V
All Inputs and Outputs	-0.5 V to VDD+0.5 V
Ambient Temperature under Bias	-55 to 125° C
Storage Temperature	-65 to +150° C
Junction Temperature	125° C
Power Dissipation	0.5 W

Recommended Operation Conditions

Parameter	Min.	Typ.	Max.	Units
Ambient Operating Temperature	0		+70	°C
Power Supply Voltage (measured in respect to GND)	+4.5	+5.0	+5.5	V
Power Supply Voltage (measured in respect to GND)	+3.15	+3.3	+3.45	V

DC Electrical Characteristics

VDD = 3.3 V \pm 5%, Ambient Temperature 0 to +70° C

Parameter	Symbol	Conditions	Min.	Typ.	Max.	Units
Operating Voltage	VDD		3.15		3.45	V
Operating Current	IDD			20		mA
Input High Voltage	V _{IH}	ICLK, FBIN, S0	2			V
Input Low Voltage	V _{IL}	ICLK, FBIN, S0			0.8	V
Output High Voltage	V _{OH}	I _{OH} = -12 mA	2.4			V
Output Low Voltage	V _{OL}	I _{OL} = 12 mA			0.4	V
Short Circuit Current	I _{OS}	CLK		\pm 50		mA
Input Capacitance	C _{IN}	S0		5		pF

VDD = 5 V \pm 10%, Ambient Temperature 0 to +70° C

Parameter	Symbol	Conditions	Min.	Typ.	Max.	Units
Operating Voltage	VDD	5 V	4.5		5.5	V
Operating Current	IDD			30		mA
Input High Voltage	V _{IH}	ICLK, FBIN, S0	0.7xVDD			V
Input Low Voltage	V _{IL}	ICLK, FBIN, S0			0.2xVDD	V
Output High Voltage	V _{OH}	I _{OH} = -12 mA	4.5			V
Output Low Voltage	V _{OL}	I _{OL} = 12 mA			0.5	V
Short Circuit Current	I _{SC}	Each output		\pm 80		mA
Input Capacitance	C _{IN}	S0		5		pF

AC Electrical Characteristics

VDD = 3.3 V \pm 5%, or 5 V \pm 10%, Ambient Temperature 0 to +70° C

Parameter	Symbol	Conditions	Min.	Typ.	Max.	Units
Input Frequency, ICLK		S0=1	10		80	MHz
		S0=0	10		40	MHz
Output Frequency, CLK			10		80	MHz
Input to Output Jitter		CLK>20 MHz, Note 2		200		ps
Absolute Short-term Jitter, peak-to-peak		Note 2		\pm 100		ps
Input to Output Skew		Note 1	-600		600	ps
Output Clock Rise Time		20% to 80%, Note 2		1.5		ns
Output Clock Fall Time		80% to 20%, Note 2		1.5		ns
Output Clock Duty Cycle		At VDD/2, Note 2	45	50	55	%

Note 1: Assumes clocks with same rise time, measured from rising edges at VDD/2

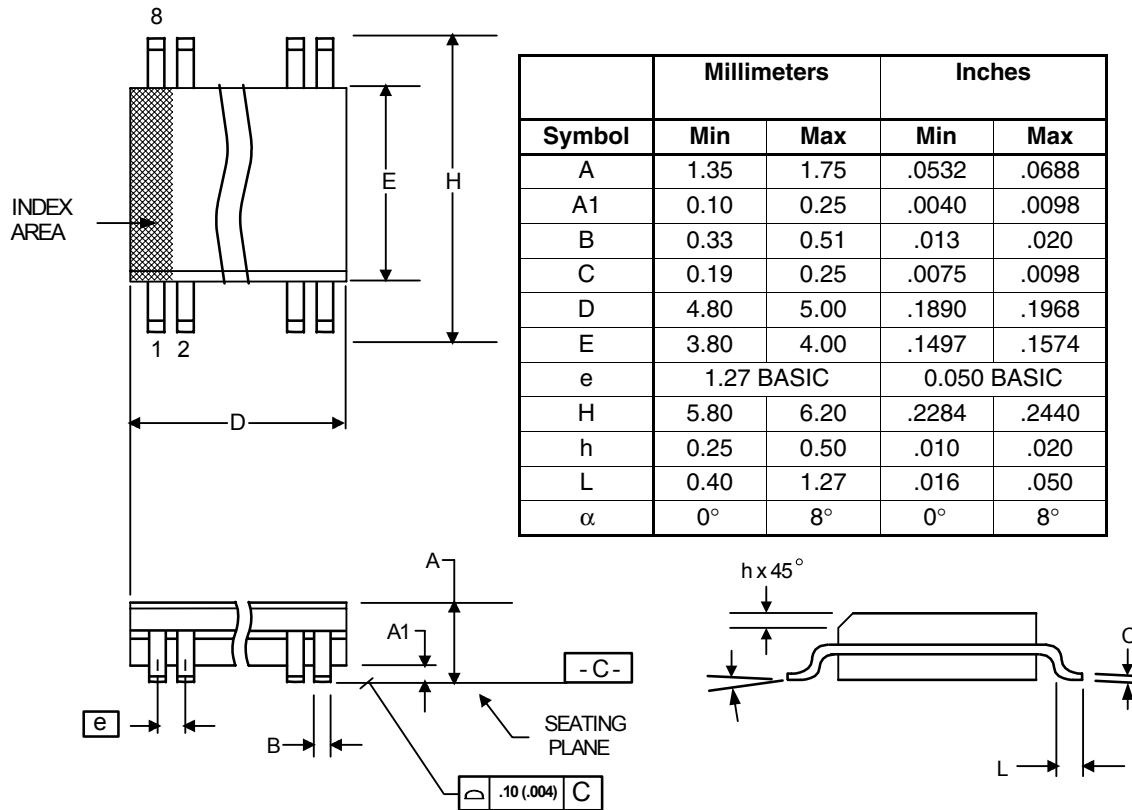
Note 2: Measured with a 15 pF load.

Thermal Characteristics

Parameter	Symbol	Conditions	Min.	Typ.	Max.	Units
Thermal Resistance Junction to Ambient	θ_{JA}	Still air		150		°C/W
	θ_{JA}	1 m/s air flow		140		°C/W
	θ_{JA}	3 m/s air flow		120		°C/W
Thermal Resistance Junction to Case	θ_{JC}			40		°C/W

Package Outline and Package Dimensions (8-pin SOIC, 150 Mil. Body)

Package dimensions are kept current with JEDEC Publication No. 95



Ordering Information

Part / Order Number	Marking	Shipping Packaging	Package	Temperature
2402MLF	2402MLF	Tubes	8-pin SOIC	0 to +70° C
2402MLFT	2402MLF	Tape and Reel	8-pin SOIC	0 to +70° C

“LF” denotes Pb (lead) free package, RoHS compliant.

While the information presented herein has been checked for both accuracy and reliability, IDT assumes no responsibility for either its use or for the infringement of any patents or other rights of third parties, which would result from its use. No other circuits, patents, or licenses are implied. This product is intended for use in normal commercial applications. Any other applications such as those requiring extended temperature range, high reliability, or other extraordinary environmental requirements are not recommended without additional processing by IDT. IDT reserves the right to change any circuitry or specifications without notice. IDT does not authorize or warrant any IDT product for use in life support devices or critical medical instruments.

Revision History

Rev.	Originator	Date	Description of Change
B	P.Griffith	10/05/04	New device/datasheet for HP.
C	S. Gardner	11/04/04	Changed values for Abs. Jitter, Prop. Delay, and Output Clock Freq. in "Features" section; removed secondary Input High/Low and Output High (CMOS) voltage specs in DC chars; multiple updates to AC chars and added 5 V +/-10% rating; move from Preliminary to Release.
D	P.Griffith	12/21/04	Added LF packaging and ordering information. Released from custom to standard device.
E	—	08/18/09	Added EOL note per PDN U-09-01.
F	—	05/13/10	Removed EOL note and non-green orderables.

Innovate with IDT and accelerate your future networks. Contact:

www.IDT.com

For Sales

800-345-7015
408-284-8200
Fax: 408-284-2775

For Tech Support

www.idt.com/go/clockhelp

Corporate Headquarters

Integrated Device Technology, Inc.
www.idt.com



www.IDT.com

Looking for pricing, stock, or lifecycle information?

Click below to explore more details on WIN SOURCE:

-  [View ICS2402MLFT on WIN SOURCE](#)
-  [IDT, Integrated Device Technology Inc Information](#)

Optimize Your Supply Chain with WIN SOURCE Solutions

-  Global Sourcing Solution
-  Obsolete Management
-  Cost Control Management
-  Shortage Management
-  Alternative Solution
-  Excess Inventory Management