



**THE DATASHEET OF
2000-0001-XX**

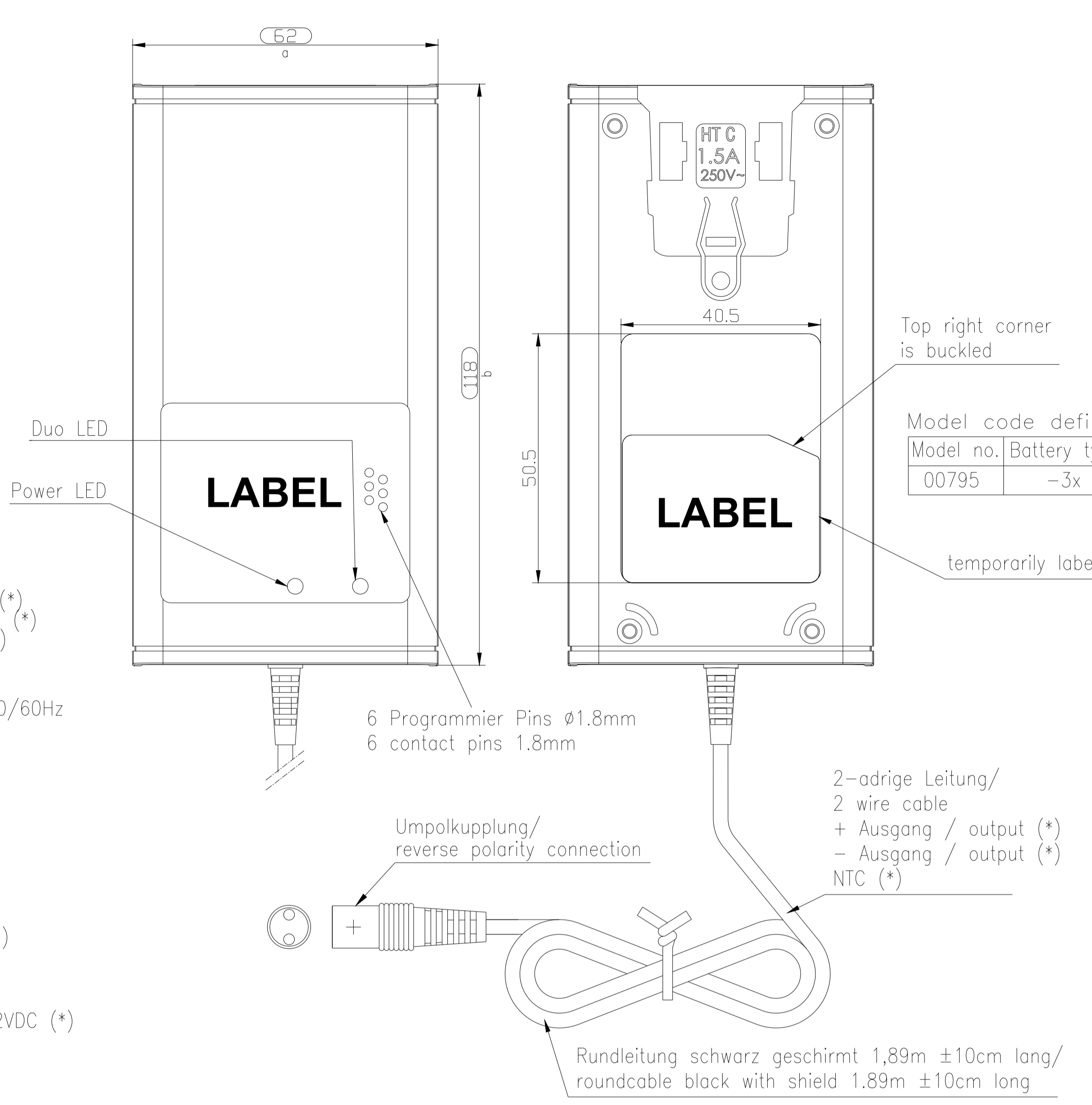


The supplier acknowledges that, with the acceptance of the drawing, he is in a position to manufacture the illustrated part in accordance with the drawing in reproducible form. The drawing is a technical drawing and must be signed by the purchaser. Verbal agreements over and above that are not valid. Deviations from this rule must be written and must be signed by the purchaser.

Technische Daten/
technical data
Chemie/
chemistry
Zellenzahl/
no. of cells
ladbare Kapazität/
loadable capacity
Eingangsspannung/
input voltage
Eingangs-Schutz/
primary electrical protection
Leistungsaufnahme im Leerlauf/
stand-by power consumption
Nenn-Leistungsaufnahme/
nominal power consumption
Ableitstrom/
Leakage current
Ausgangsspannung im Leerlauf/
no load output voltage
Nennausgangsspannung/
nominal output voltage
Vorladestrom/
pre-charge current
Nennladestrom/
nominal charge current
Ladeschlußspannung/
charge end voltage
Ladeschlußstrom/
charge end current
Wiedereinschaltspannung/
restart voltage
Rückstrom ohne Netzspannung/
reverse current without AC
Ausgangs-Schutz/
secondary electrical protection
Akku-Vollerkennung/
battery full detection
Sicherheitstimer/
safety timer
Spannungsfestigkeit/
electric strength
Schutzklasse/
protection class
Betriebstemperatur/
operating temperature
Transport & Lagerung/
transport & storage
Luftfeuchtigkeit im Betrieb/
humidity: operation
Transport & Lagerung/
transport & storage
Einsatzhöhe/
altitude
Transport & Lagerung/
transport & storage
Luftdruck im Betrieb/
Air pressure: operation
Transport & Lagerung/
transport & storage

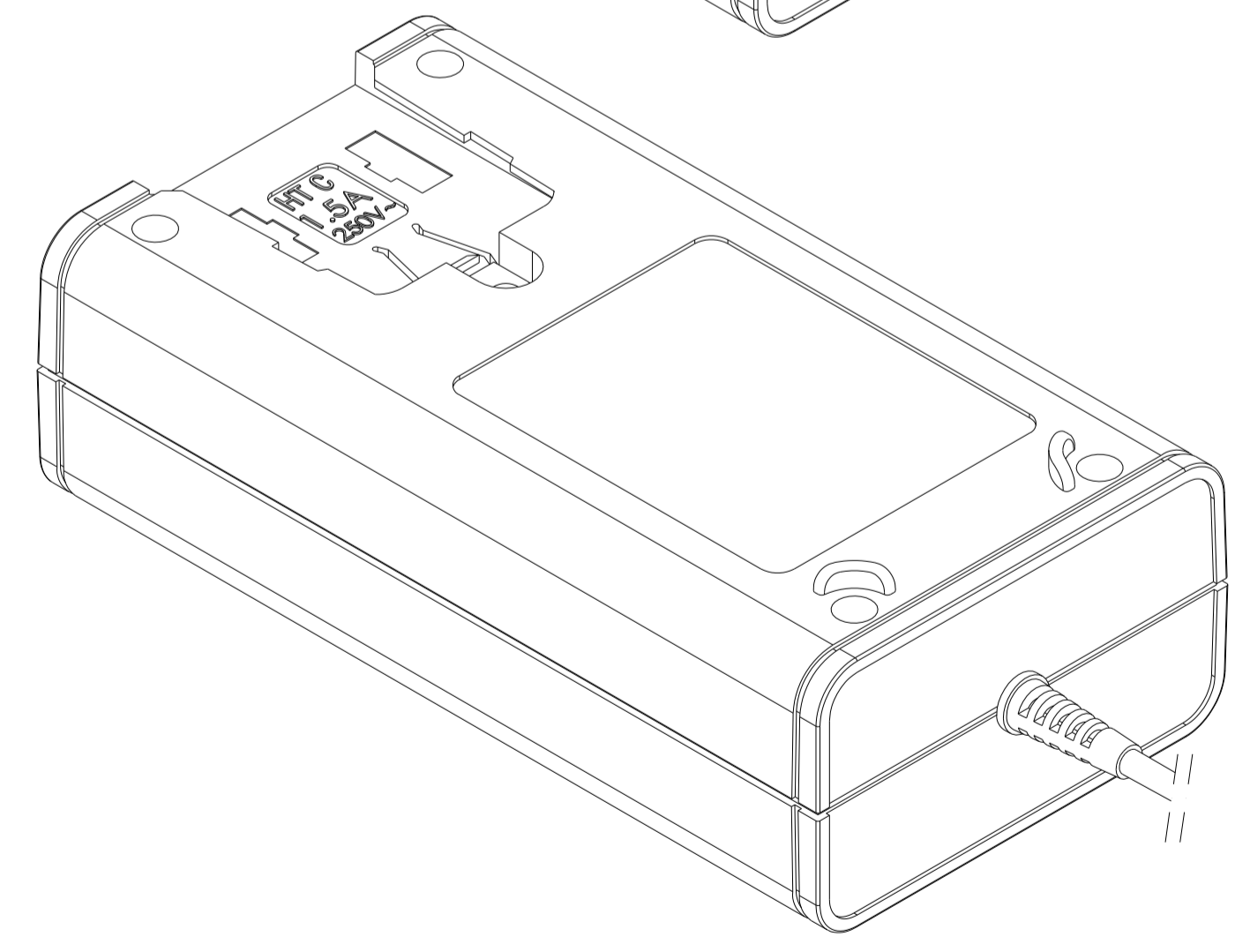
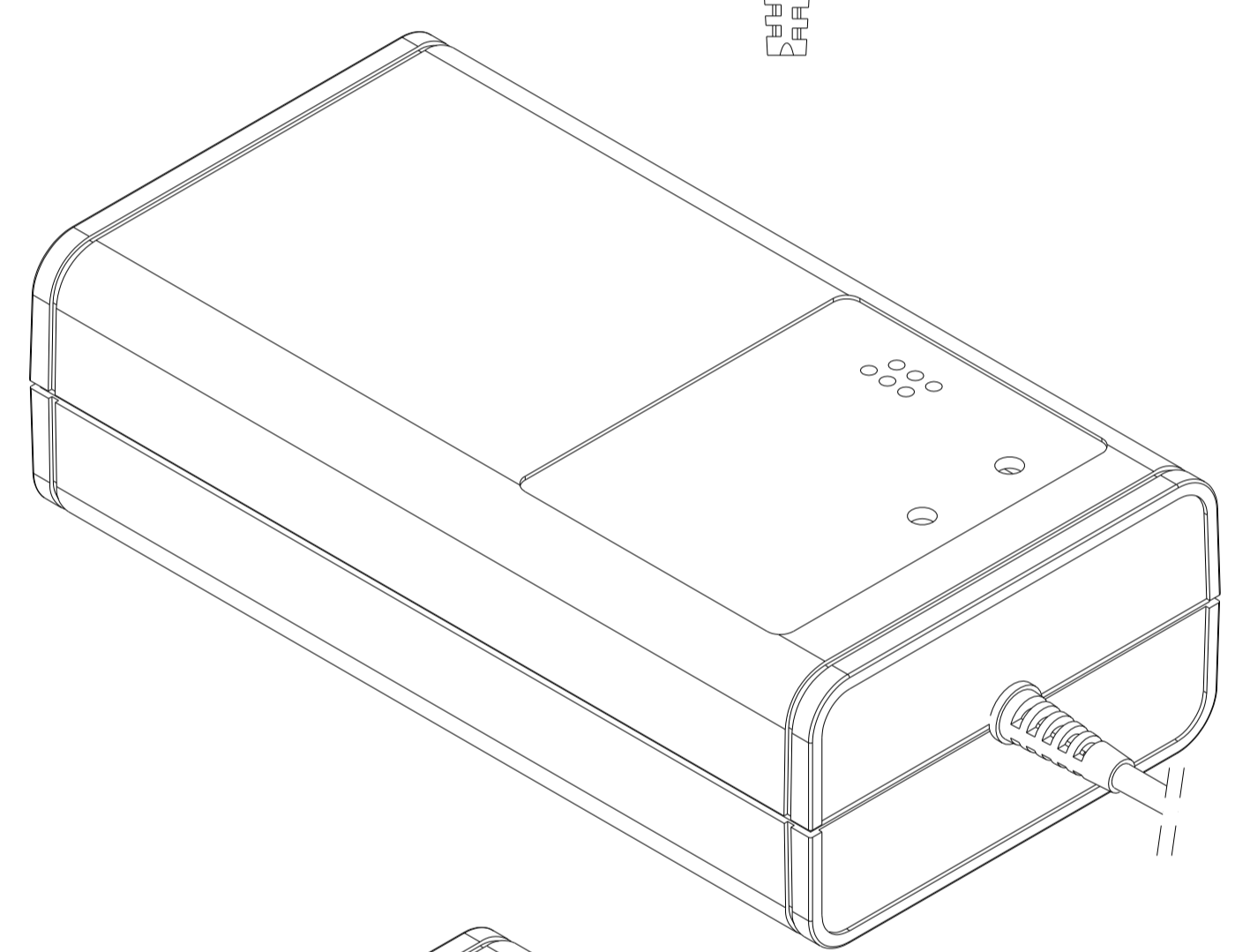
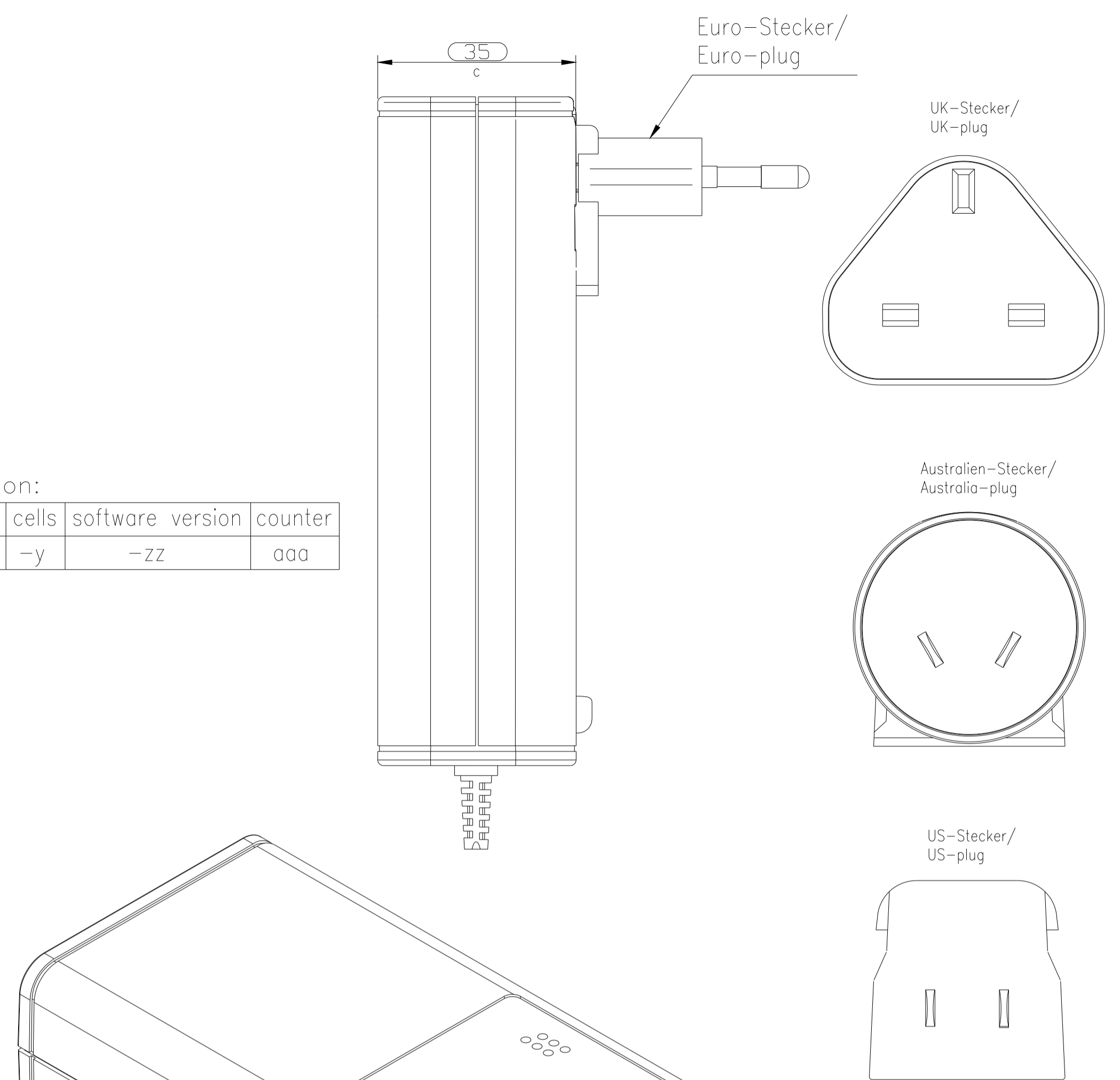
: Steckerladegerät/
plug-in charger
: Li-Ion, NiMH, PB
: 1-4 Zellen/ cells Lilon (*)
1-12 Zellen/ cells NiMH (*)
1-6 Zellen/ cells PB (*)
: min. ----mAh (*)
max. ----mAh (*)
: 100-240VAC ±10% / 50/60Hz
: Sicherung T1.6A
fuse
: < 0.8W (*)
: ca./ approx. 36W (*)
: < 250uA
: ca./ approx. 16.8VDC (*)
: 14.8VDC (*)
: 300mA ±20% / 10V...12VDC (*)
: max. 2000mA ±10% (*)
: 16.8VDC ±1% (*)
: 400mA ±10% (*)
: 15.6V...16VDC (*)
: < 500uA bei/ at 16.8VDC (*)
: elektronisch gegen Kurzschluss und Verpolung/ (*)
electronical against short circuit and wrong polarity (*)
: CC-CV Ladung/ (*)
CC-CV charge mode (*)
: --- (*)
: 4 kV Eingang/Ausgang
electric strength
: II primary/secondary
: 0°C...+40°C
: -25°C...+70°C
: 10%-90% (non-condensing)
: 10%-95% (non-condensing)
: max. 2000m
: max. 12000m
: 795-1060hPa
: 500-1060hPa

(*) - depends on software



Model code definition:

Model no.	Battery type	cells	software version	counter
00795	-3x	-y	-zz	aaa



Nettogewicht/
net weight : 250g
Gehäuse/
case : Steckergehäuse, schwarz, Typ/ AH30WNS
plug-in housing, black, type
Gehäusematerial/
case material : PC plastic UL94V-0
Leiterplattenmaterial/
pcb material : FR4
Schutzart/
case protection : IP 20
Typenschild Vorderseite/
ratingplate front : ---
Typenschild Rückseite/
ratingplate back : draft label: silver label with black printing
Anleitungen/
instructions : deutsch, englisch/
german, english
Approbationen/
approvals : CE, UKCA, SAA, FCC
Normen/
standards : IEC/EN60335-2-29
Power LED indicator
AC on : lights green (*)
Duo LED indicator
charging inactive : off (*)
charging (CC/CV) : flash green 1Hz (*)
charging finished : lights green (*)
error (battery/charger/muting) : flash red (*)
(Unter-, Überspannung, Kurzschluß)/ (*)
(under-voltage, over-voltage, short circuit) (*)

Version	Change	Date	Name	DS	Allowable deviation general tolerances	Surface:	Material:	Weight
V13	DE-25-4002 desktop adapter removed	24.02.2025	DS	DS	DIN ISO 2768-m	SK	Scale (DIN A2): 1:1	1
V12	cable length modified to 1.89m	18.09.2023	DS	DS				
V11	Approvals updated, label changed	09.06.2021	DS	DS	Product name: IPC-30-Uni-charger	Part number 2000-0001	Project: IS-00795	Sheet 1/1
V10	LEDs modified	20.05.2021	DS	DS				
V9	label modified	20.01.2020	DS	DS	Application range for inquiry IS-2014-00795/4C	Application range for inquiry IS-2014-00795/4C	Application range for inquiry IS-2014-00795/4C	Application range for inquiry IS-2014-00795/4C
V8	model code diffition added	12.07.2019	DS	DS				
V7	technical data updated	09.07.2019	DS	DS	Application range for inquiry IS-2014-00795/4C	Application range for inquiry IS-2014-00795/4C	Application range for inquiry IS-2014-00795/4C	Application range for inquiry IS-2014-00795/4C
V6	technical data updated	07.05.2019	DS	DS				
V5	label added	11.03.2019	DS	DS	Application range for inquiry IS-2014-00795/4C	Application range for inquiry IS-2014-00795/4C	Application range for inquiry IS-2014-00795/4C	Application range for inquiry IS-2014-00795/4C
V4	technical data updated	24.01.2019	DS	DS				
V4	label cover information corrected	06.11.2018	HM	HM	Application range for inquiry IS-2014-00795/4C	Application range for inquiry IS-2014-00795/4C	Application range for inquiry IS-2014-00795/4C	Application range for inquiry IS-2014-00795/4C
V4	case material & case protection updated	22.05.2018	CB	CB				



Looking for pricing, stock, or lifecycle information?

Click below to explore more details on WIN SOURCE:

- ⊖ [View 2000-0001-XX on WIN SOURCE](#)
- ⊖ [ANSMANN \(Huizhou\) Trading CO., LTD Information](#)

Optimize Your Supply Chain with WIN SOURCE Solutions

- ✓ Global Sourcing Solution
- ✓ Obsolete Management
- ✓ Cost Control Management
- ✓ Shortage Management
- ✓ Alternative Solution
- ✓ Excess Inventory Management