



THE DATASHEET OF VS308U/GREEN





5 YEAR
WARRANTY



- Power relay used for switching larger load output, strengthen or „multiplying“ contacts of the existing device.
- In the design 1-MODULE , DIN rail mounting, output status indicated by high intensity LED with choice of LED color (red, green, blue or white LED*).

Technical parameters	VS116U	VS308U
Supply terminals:	A1 - A2	
Voltage range:	AC/DC 12-240 V (50-60 Hz)	AC/DC 12-240 V (50-60 Hz)
Burden (max.):	AC 0.7 - 3 VA/DC 0.5 - 1.7 W	AC 0.7 - 3 VA/DC 0.5 - 1.7 W
Supply terminals:	x	x
Voltage range:	x	x
Burden:	x	x
Supply voltage tolerance:	-15%; +10%	
Max. dissipated power (Un + terminals):	4 W	3 W
Output		
Number of contacts:	1 x changeover/SPDT (AgSnO ₂)	3 x changeover/TPDT (AgNi/Silver Alloy)
Current rating:	16 A/AC1; 1 HP 240Vac, 1/2 HP 120Vac; PD. B300	8 A/AC1; 1/2 HP 240Vac; PD. B300
Breaking capacity:	4000VA/AC1, 384W/ DC	2000VA/AC1, 192W/ DC
Inrush current:	30 A/<3 s	10 A/<3 s
Switching voltage:	250V AC/24V DC	
Output indication:	high intensity LED	
Mechanical life:	30.000.000 ops.	
Electrical life (AC1):	100.000 ops.	60.000 ops.
Time between switching:	min. 2s	
Other information		
Operating temperature:	-20 .. +55 °C (-4 .. 131 °F)	
Storage temperature:	-30 .. +70 °C (-22 .. 158 °F)	
Dielectric strength:	4 kV (supply-output)	
Operating position:	any	
Mounting:	DIN rail EN 60715	
Protection degree:	IP40 from front panel/IP20 terminals	
Overvoltage category:	III.	
Pollution degree:	2	
Max. cable size (mm ²):	max. 1x 2.5 or 2x 1.5 max. 1x 2.5 (AWG 12)	
Dimensions:	90 x 17.6 x 64 mm (3.5" x 0.7" x 2.5")	
Weight:	59 g (2.1 oz.)	80 g (2.8 oz.)
Standards:	EN 60669-1, EN 60669-2-1	

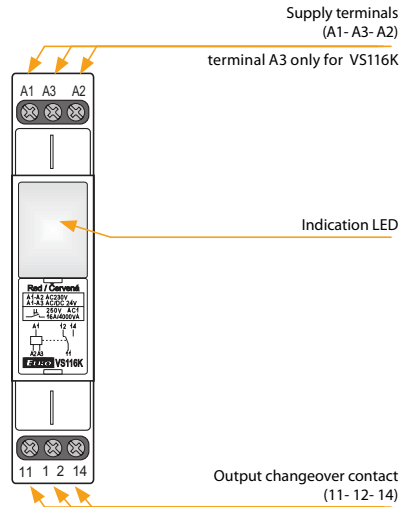
Notes

Max. time of changeover of contact is 10 ms.

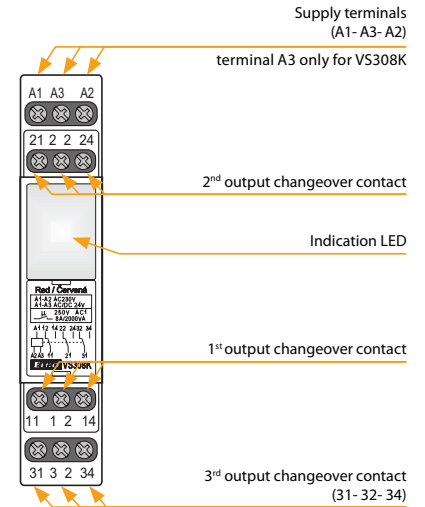
* possibility to choose blue and white color of LED for power relays line VS in case of minimal order quantity 100 pcs.

Description

VS116U

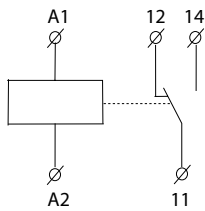


VS308U

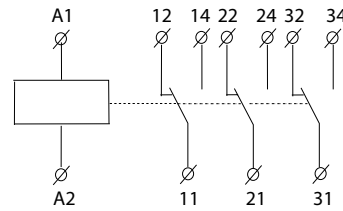


Symbol

VS116U



VS308U



EAN codes

VS116U/red	8595188124607
VS116U/green	8595188136433
VS116U/white	8595188138482
VS116U/blue	8595188138475
VS308U/red	8595188130103
VS308U/green	8595188136440
VS308U/white	8595188138512
VS308U/blue	8595188138505

Order code

	VS116U/red: 2460	VS308U/red: 3010
	VS116U/green: 3643	VS308U/green: 3644
	VS116U/white: 3848	VS308U/white: 3851
	VS116U/blue: 3847	VS308U/blue: 3850

Installation contactors

Installation contactors VS



VS120

Number of contacts:
1x20 A. Configuration
of switching and
breaking contacts:
10, 01.
page 56



VS220

Number of contacts:
2x20 A. Configuration
of switching and
breaking contacts: 20,
11, 02.
page 56



VS425

Number of contacts:
4x25 A. Configuration
of switching and
breaking contacts:
40, 31, 22, 04.
page 56



VS440

Number of contacts:
4x40 A. Configuration
of switching and
breaking contacts:
40, 31, 22, 04.
page 56



VS463

Number of contacts:
4x63 A. Configuration
of switching and
breaking contacts:
40, 31, 22.
page 56

Looking for pricing, stock, or lifecycle information?

Click below to explore more details on WIN SOURCE:

- ⊖ [View VS308U/green](#) on WIN SOURCE
- ⊖ [ELKO EP North America LLC](#) Information

Optimize Your Supply Chain with WIN SOURCE Solutions

- ✓ Global Sourcing Solution
- ✓ Obsolete Management
- ✓ Cost Control Management
- ✓ Shortage Management
- ✓ Alternative Solution
- ✓ Excess Inventory Management