

Linear Type (Exclusively Used to Detect the Angle of Vehicle Head Lights)

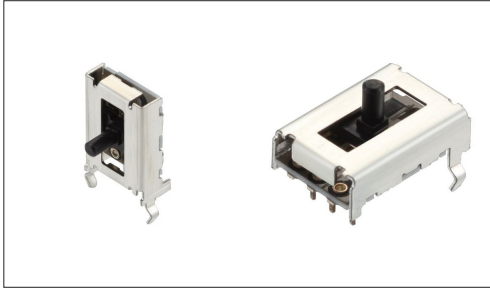
RD7 Series

High-precision, space-saving design dedicated to headlight angle detection.

 Automotive

■ Type: Linear

Applications: Automotive: Headlights



■ Product List

Products No.	Control part orientation	Travel (mm)	Linearity guarantee range	Linearity	Total resistance	Operating life (cycles)	Dimensions (mm)	Automotive	Drawing No.
RD708A029A	Horizontal	8	6mm	±1%	4.7kΩ	100,000	10.0×5.0×15	●	1
RD7081015A	Vertical	8	7mm	±1%	5kΩ	100,000	10.0×15.0×4.5	●	2
RD7091008A	Vertical	9	7mm	±1%	5kΩ	100,000	9.0×15.8×3.7	●	3
RD712A028A	Horizontal	12	9mm	±1%	2.2kΩ	100,000	10.0×5.0×19.0	●	4
RD7121008A	Vertical	12	9mm	±1%	10kΩ	100,000	10.0×18.0×5.0	●	5

 Note

1. This catalog shows only outline specifications. When using the products, please obtain formal specifications for supply.
2. For Linearity, various specifications will be available, depending on the applications. Please consult with us when placing your orders.
3. Please place purchase orders per minimum order unit (integer).

■ Packing Specifications

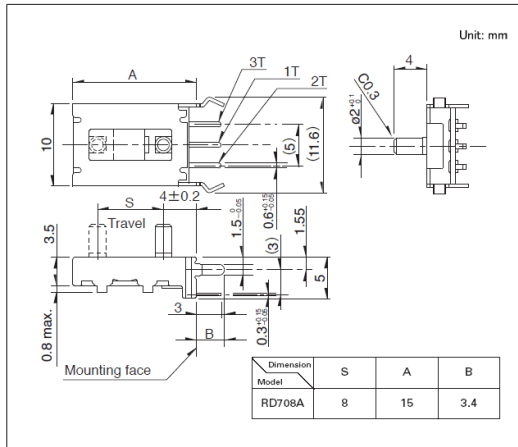
Tray

Products No.	Number of packages(pcs.)		Export package measurements (mm)
	1 case / Japan	1 case / export packing	
RD708A029A RD712A028A	2,000	4,000	527×363×215
RD7081015A	1,500	3,000	507×363×216
RD7091008A	1,800	3,600	508×364×192
RD7121008A	1,800	3,600	507×363×216

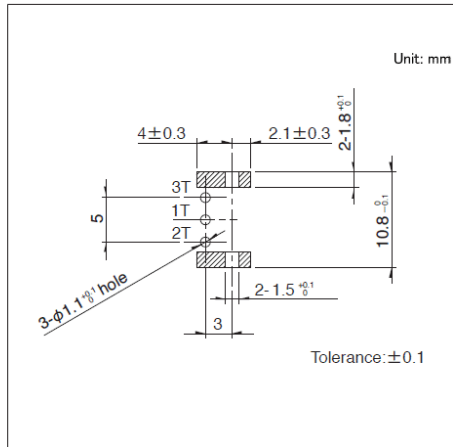
Linear Type (Exclusively Used to Detect the Angle of Vehicle Head Lights)
RD7 Series

Drawing No.1

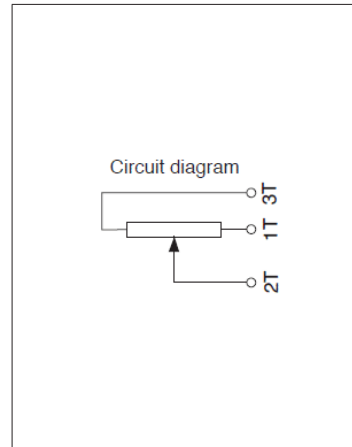
■ Dimensions



■ Mounting Hole Dimensions



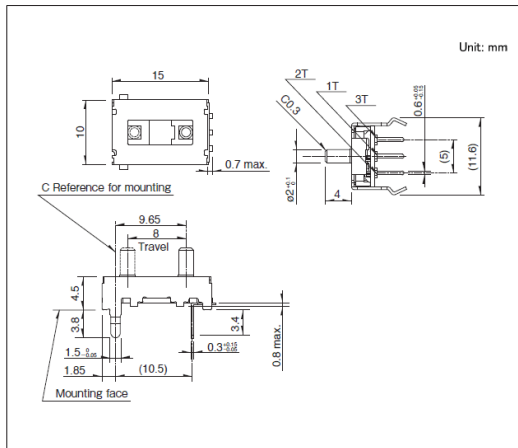
■ Circuit Diagram



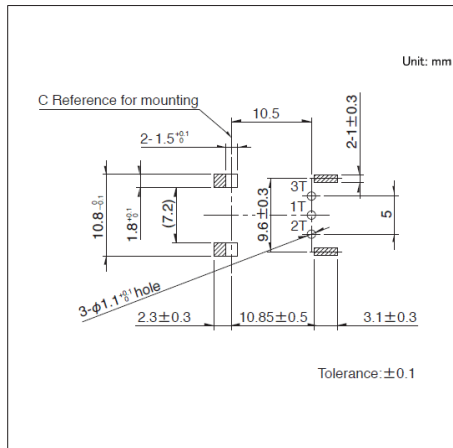
Viewed from mounting side
 Do not wire the shaded area

Drawing No.2

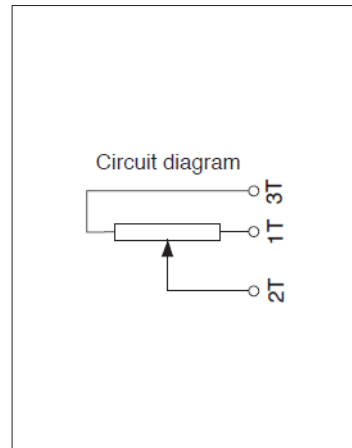
■ Dimensions



■ Mounting Hole Dimensions



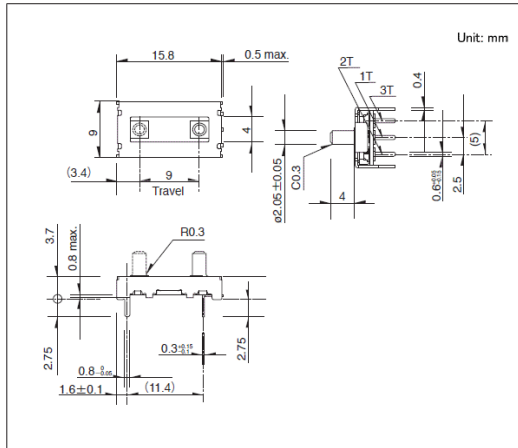
■ Circuit Diagram



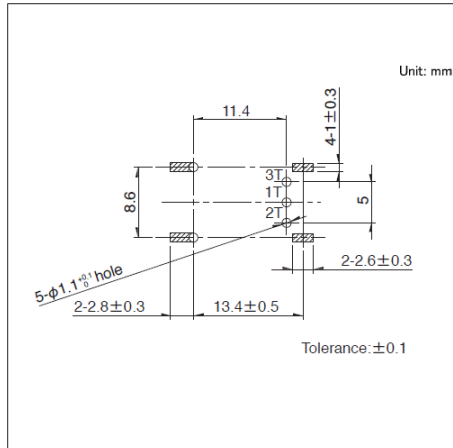
Viewed from mounting side
 Do not wire the shaded area

Drawing No.3

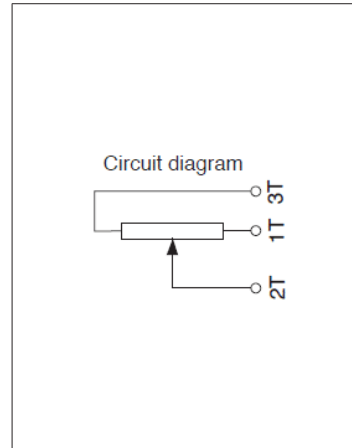
■ Dimensions



■ Mounting Hole Dimensions



■ Circuit Diagram

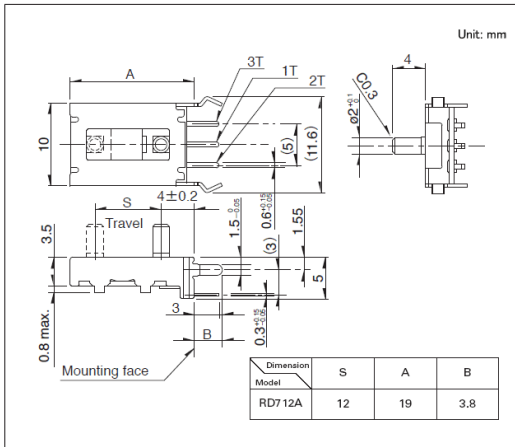


Viewed from mounting side
 Do not wire the shaded area

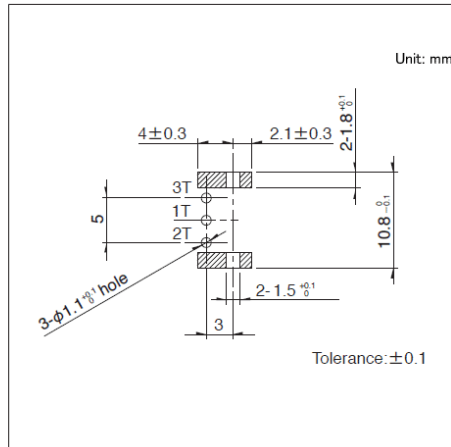
Linear Type (Exclusively Used to Detect the Angle of Vehicle Head Lights)
RD7 Series

Drawing No.4

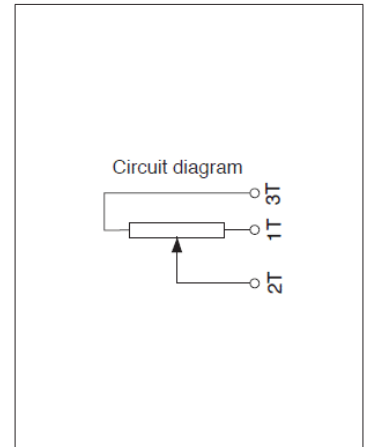
■ Dimensions



■ Mounting Hole Dimensions



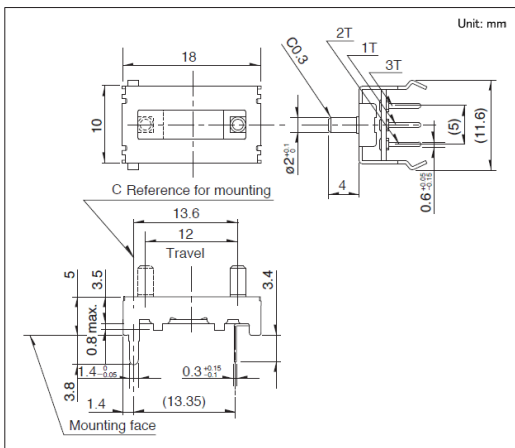
■ Circuit Diagram



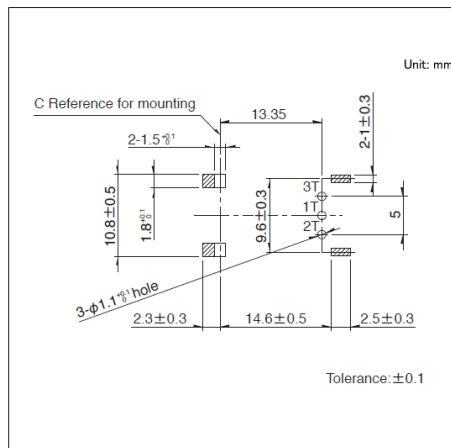
Viewed from mounting side
 Do not wire the shaded area

Drawing No.5

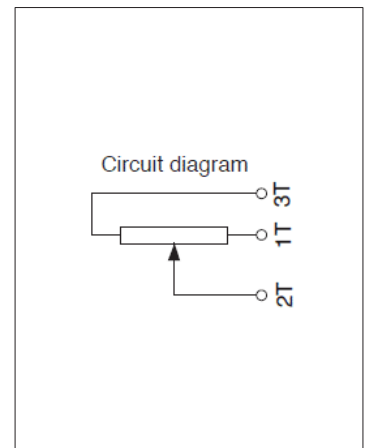
■ Dimensions



■ Mounting Hole Dimensions



■ Circuit Diagram



Viewed from mounting side
 Do not wire the shaded area

Looking for pricing, stock, or lifecycle information?

Click below to explore more details on WIN SOURCE:

 [View RD7081015A on WIN SOURCE](#)

 [Alps Alpine Information](#)

Optimize Your Supply Chain with WIN SOURCE Solutions

-  Global Sourcing Solution
-  Obsolete Management
-  Cost Control Management
-  Shortage Management
-  Alternative Solution
-  Excess Inventory Management