

### Device Features

- Typical Isolation = 25.0 dB
- Typical Insertion Loss = 0.6 dB
- MSL 3 moisture rating
- Small Size and Low Profile
- RoHS2-compliant SOT-26 Plastic Package



BD26XX(XX=Wafer number)

### Product Description

BeRex's Divider BD2626 is designed for WCDMA WiBro & LTE band with low Insertion Loss and Isolation. This chip is fully passivated for enhanced performance and reliability and packaged in RoHS2-compliant with SOT-26 surface mount package.

### Typical Performance<sup>1</sup>

Parameter	Min	Typical	Max	Unit
Frequency Range	2400		2900	MHz
Insertion Loss		0.6	0.8	dB
Isolation	22	28		dB
IRL(S11)		-26	-21	dB
ORL(S22/S33)		-23	-21	dB
Amplitude Balance		0.1	0.15	dB
Phase Balance		0.75	1.5	deg

\*All specifications apply to the following test conditions,

1. Device performance \_ measured on BeRex E/B at 25°C, 50ohm system.
2. Insertion Loss: Above 3.0dB.

### Applications

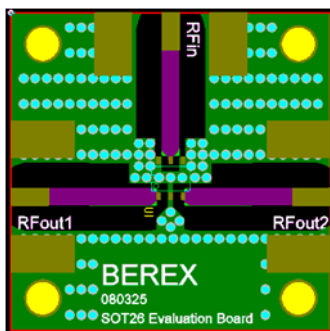
- Base station Infrastructure
- Commercial/Industrial/Military wireless system

### Absolute Maximum Ratings

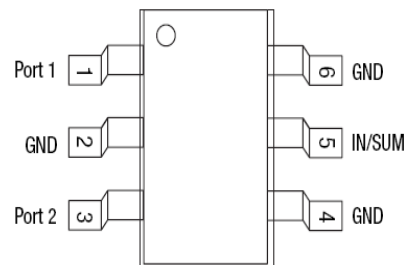
Parameter	Rating
Input Power	1.5W CW dBm
Storage Temperature	-55 to +155°C
Operating Temperature	-40 to +85°C

Operation of this device above any of these parameters may result in permanent damage.

### Evaluation Board Drawing



### Function Block Diagram

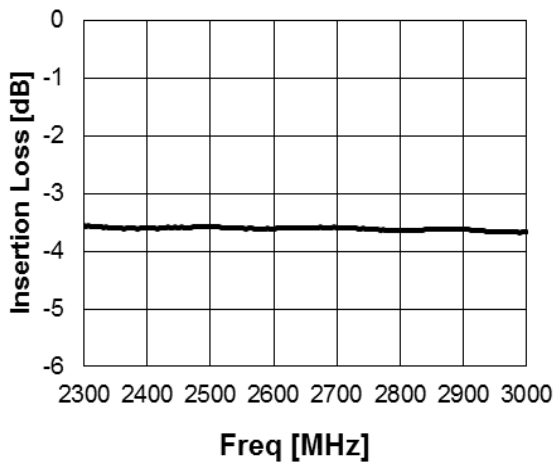


Pins 2,4 and 6 must be DC and RF grounded.

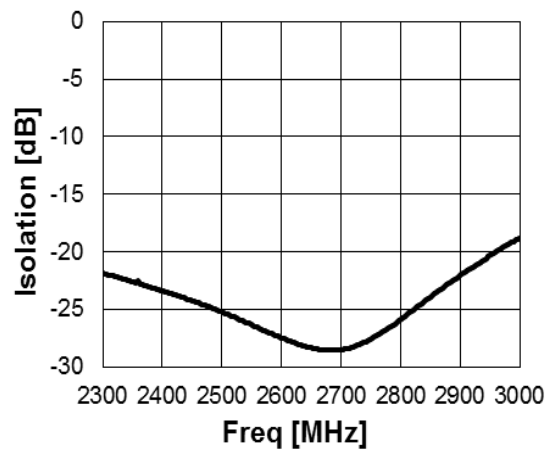
### Typical Test Data

Parameters	Unit	WCDMA, WiBro & LTE				
Frequency Range	MHz	2400	2500	2650	2800	2900
Insertion Loss	dB	0.61	0.59	0.61	0.66	0.64
Isolation	dB	23.3	25.1	28.2	25.8	22.0
IRL(S11)	dB	-21.8	-23.6	-26.4	-29.0	-27.7
ORL(S22,S33)	dB	-22.6	-23.1	-23.0	-22.2	-21.3
Phase Diff.	deg	0.75	0.75	0.75	0.75	0.75
Amplitude Balance	dB	0.07	0.07	0.07	0.09	0.09

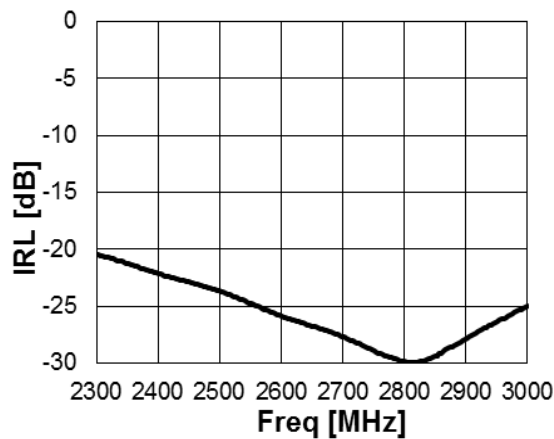
**Insertion Loss vs. Frequency**



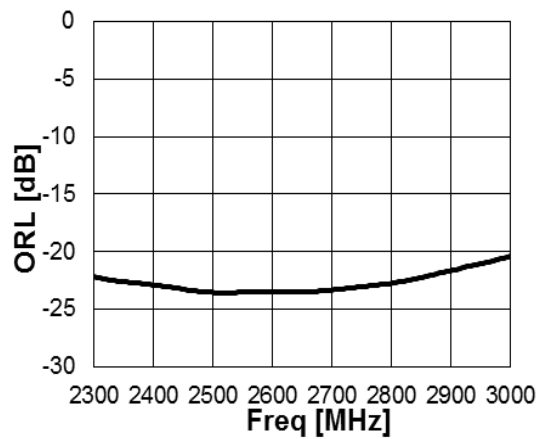
**Isolation vs. Frequency**



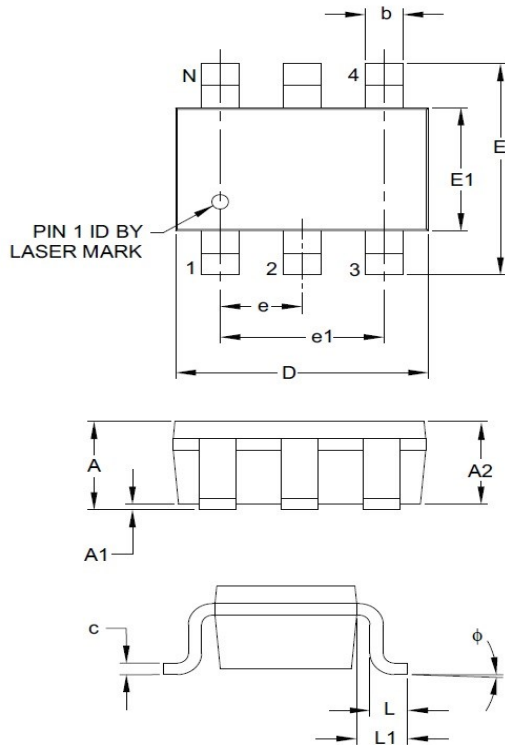
**IRL vs. Frequency**



**ORL vs. Frequency**



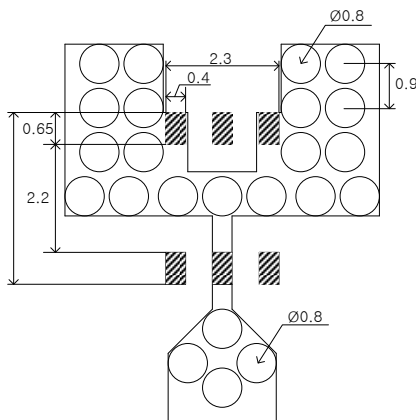
### Package Outline Drawing



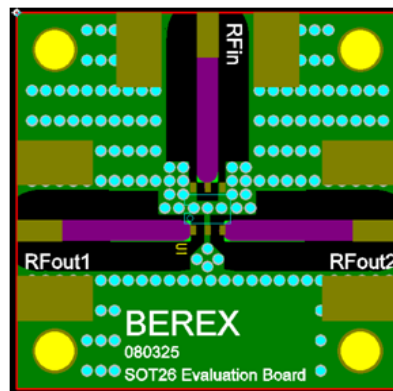
Dimension	Units	MILLIMETERS		
		MIN	NOM	MAX
Number of Pins	N	6		
Pitch	e	0.95 BSC		
Outside Lead Pitch	e1	1.90 BSC		
Overall Height	A	0.90	—	1.45
Molded Package Thickness	A2	0.89	—	1.30
Standoff	A1	0.00	—	0.15
Overall Width	E	2.20	—	3.20
Molded Package Width	E1	1.30	—	1.80
Overall Length	D	2.70	—	3.10
Foot Length	L	0.10	—	0.60
Footprint	L1	0.35	—	0.80
Foot Angle	$\phi$	0°	—	30°
Lead Thickness	c	0.08	—	0.26
Lead Width	b	0.20	—	0.51

### Suggested PCB Land Pattern and PAD Layout

#### PCB Land Pattern



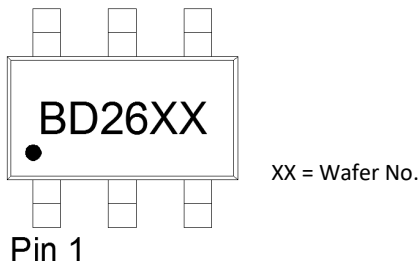
#### PCB Mounting



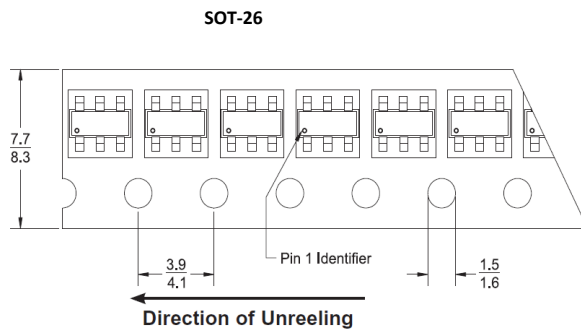
Note : All dimension \_ millimeters

PCB lay out \_ on BeRex website

### Package Marking



### Tape & Reel



Packaging information:

Tape Width (mm): 8

Reel Size (inches): 7

Device Cavity Pitch (mm): 4

Devices Per Reel: 2000

### Lead plating finish

#### 100% Tin Matte finish

(All BeRex products undergoes a 1 hour, 150 degree C, Anneal bake to eliminate thin whisker growth concerns.)

**MSL / ESD Rating****MSL Rating:** Level 3 at +260°C convection reflow**Standard:** JEDEC Standard J-STD-020

Proper ESD procedures should be followed when handling this device.

**RoHS Compliance**

This part is compliant with Restrictions on the Use of Certain Hazardous Substances in Electrical and Electronic Equipment (RoHS) Directive 2011/65/EU as amended by Directive 2015/863/EU.


This product also is compliant with a concentration of the Substances of Very High Concern (SVHC) candidate list which are contained in a quantity of less than 0.1%(w/w) in each components of a product and/or its packaging placed on the European Community market by the BeRex and Suppliers.

**NATO CAGE code:**

2	N	9	6	F
---	---	---	---	---

## Looking for pricing, stock, or lifecycle information?

Click below to explore more details on WIN SOURCE:

 [View BD2626 on WIN SOURCE](#)

 [BeRex Corporation](#) Information

## Optimize Your Supply Chain with WIN SOURCE Solutions

-  Global Sourcing Solution
-  Obsolete Management
-  Cost Control Management
-  Shortage Management
-  Alternative Solution
-  Excess Inventory Management