

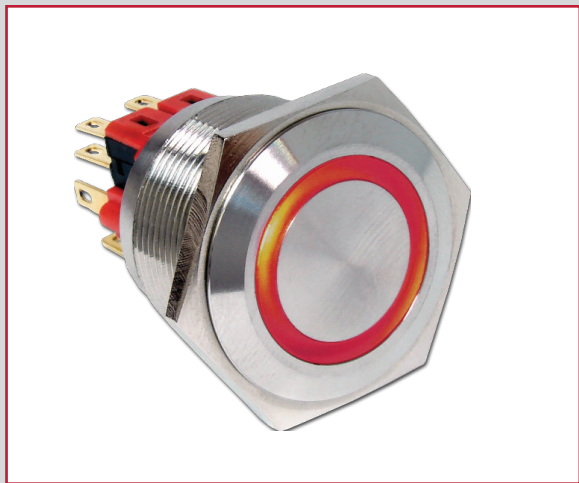


**THE DATASHEET OF
PV8F2V0SS-341**

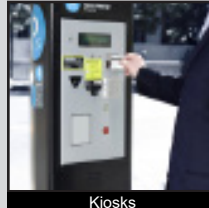


PV8 SERIES ANTI-VANDAL SWITCH

ANTI-VANDAL SWITCHES
DETECTOR SWITCHES
DIP SWITCHES
KEYLOCK SWITCHES
NAVIGATION SWITCHES
PUSHBUTTON SWITCHES
ROCKER SWITCHES
ROTARY SWITCHES
SLIDE SWITCHES
SNAP ACTION SWITCHES
TACTILE SWITCHES
TOGGLE SWITCHES
CAP OPTIONS



APPLICATIONS / MARKETS



SPECIFICATIONS

Electrical Rating: 2A, 48VDC
Electrical Life: 50,000 Cycles
Contact Resistance: 50mΩ Max.
Insulation Resistance: 1000 MΩ Min. @ 500VDC
Dielectric Strength: 2,000VAC
Operating/Storage Temperature: -35°C to 85°C
Travel: 2.80mm
Moisture Protection: IP65
Contact Arrangement: DPST-NO/NC or 4PST-2NO/2NC
Actuation Force: 6.5 N
Panel Thickness: 1-10mm for Momentary
 1-12mm for Maintained
Mounting Nut Torque: 5-14Nm

FEATURES & BENEFITS

- 25mm diameter panel cutout
- LED color options
- Dot, ring or power symbol illumination available
- Multiple function options
- IP65 rated
- DPST-NO/NC or 4PST-2NO/2NC
- Soldered wire leads (300mm long) optional

PART NUMBER CONFIGURATOR

Series	Actuator Options	Terminal Options	Function Options	Rating Options	Body Finish Options	Actuator Finish Options	Lens Style Options	LED Color Options	Illumination Voltage Options	Graphic (Optional)
PV8	F - Flat	2 - Solder W - Wire Leads 300mm long	Y - 1P Off-(On) + 1P On-(Off) T - 1P Off-On + 1P On-Off V - 2P Off-(On) + 2P On-(Off) U - 2P Off-On + 2P On-Off	0 - 2A, 48VDC	S - Stainless Steel 1 - Black Anodized	S - Stainless Steel 1 - Black Anodized	NONE - Non-Illuminated 2 - Dot Illumination 3 - Ring Illumination	NONE - Non-Illuminated 0 - White 1 - Red 2 - Orange 3 - Green 4 - Blue 5 - Yellow F - Red/Orange G - Red/Green H - Red/Blue J - Red/Yellow K - Orange/Green L - Orange/Blue M - Orange/Yellow N - Green/Blue P - Green/Yellow R - RGB	NONE - Non-Illuminated 1 - Base Voltage [‡] 3 - 6V 4 - 12V 5 - 24V 6 - 125V 7 - 250V	M11 - Power symbol laser etched M14 - Power symbol illum. (with Ring illumination)

NOTES:

() denotes function is momentary
[‡]Base voltage for LED colors red, yellow, and orange is 1.8V @ 20mA
[‡]Base voltage for LED colors blue, green and white is 2.8V @ 20mA

Specifications subject to change without notice 8.25.2025



E-SWITCH®

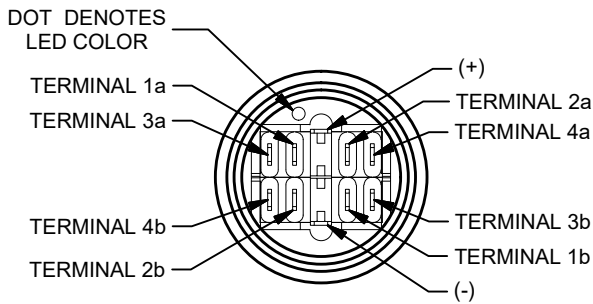
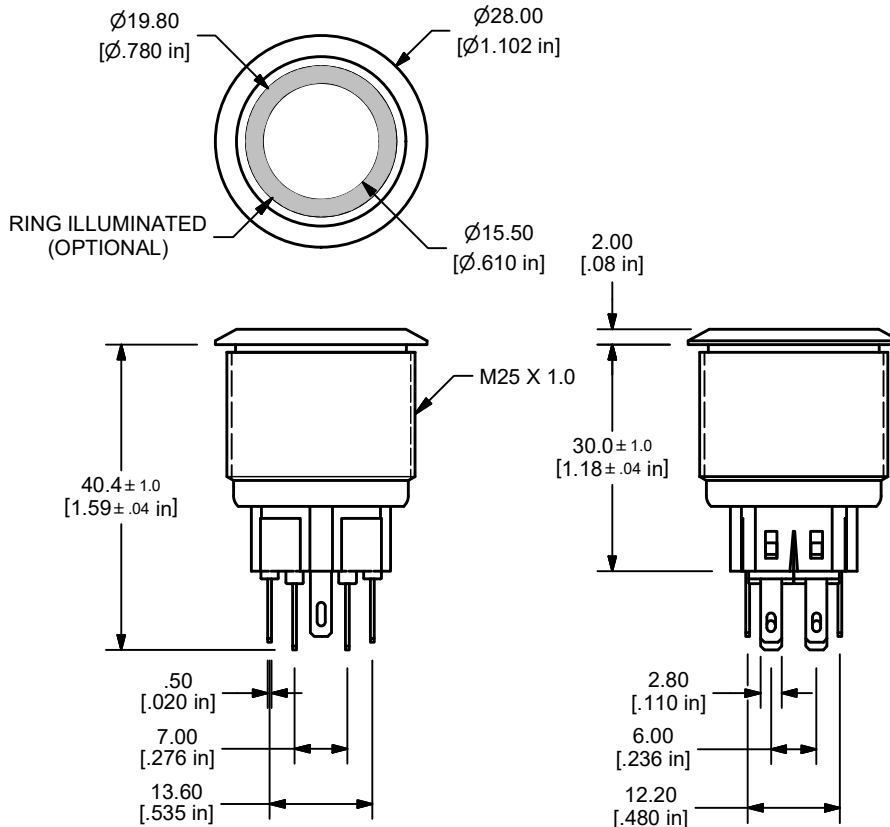
www.e-switch.com

800.867.2717

1

PV8 SERIES ANTI-VANDAL SWITCH

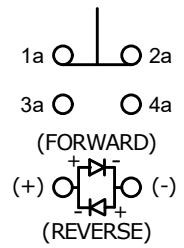
STANDARD LED FUNCTIONS T & U



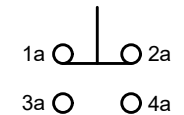
SPDT - FUNCTION T
TERMINALS 1a - 4a

DPDT - FUNCTION U
TERMINALS 1a - 4a AND
1b - 4b (AS SHOWN)

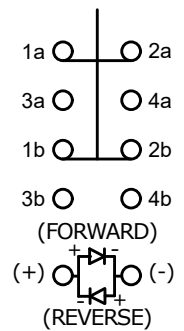
TERMINALS (-) AND (+)
USED WITH ILLUMINATED
OPTION ONLY



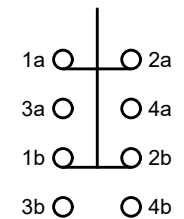
SPDT LED SCHEMATIC



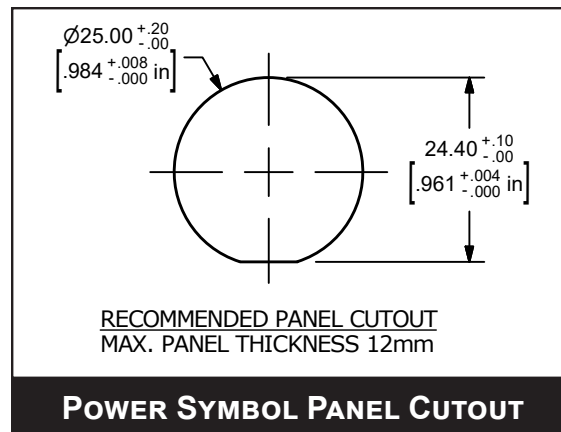
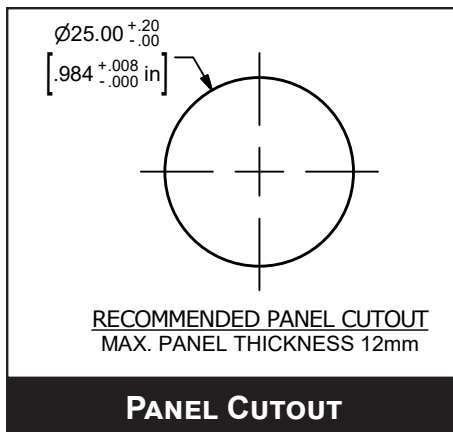
SPDT Non ILL SCHEMATIC



DPDT LED SCHEMATIC



DPDT Non ILL SCHEMATIC

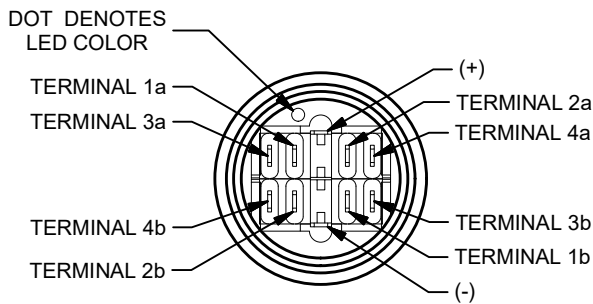
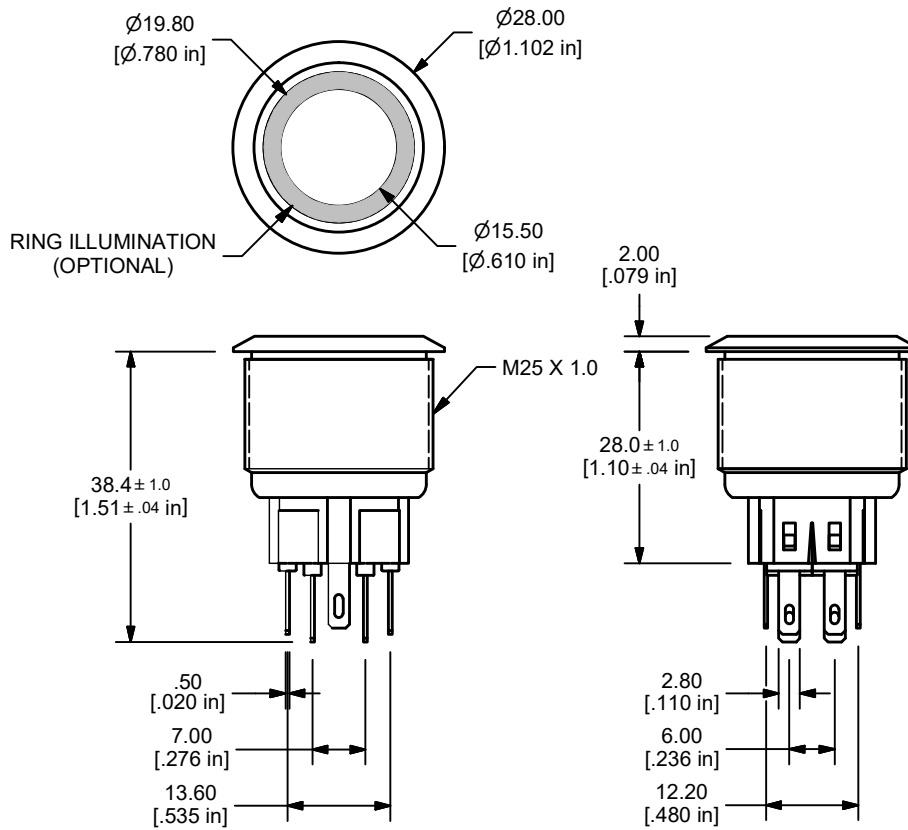


ANTI-VANDAL SWITCHES
DETECTOR SWITCHES
DIP SWITCHES
KEYLOCK SWITCHES
NAVIGATION SWITCHES
PUSHBUTTON SWITCHES
ROCKER SWITCHES
ROTARY SWITCHES
SLIDE SWITCHES
SNAP ACTION SWITCHES
TACTILE SWITCHES
TOGGLE SWITCHES
CAP OPTIONS



PV8 SERIES ANTI-VANDAL SWITCH

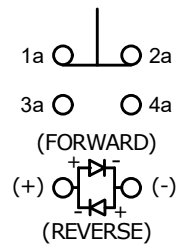
STANDARD LED FUNCTIONS Y & V



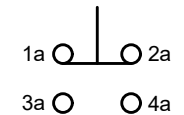
SPDT - FUNCTION Y
TERMINALS 1a - 4a

DPDT - FUNCTION V
TERMINALS 1a - 4a AND
1b - 4b (AS SHOWN)

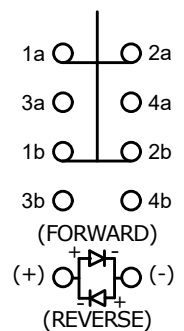
TERMINALS (-) AND (+)
USED WITH ILLUMINATED
OPTION ONLY



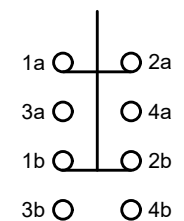
SPDT LED SCHEMATIC



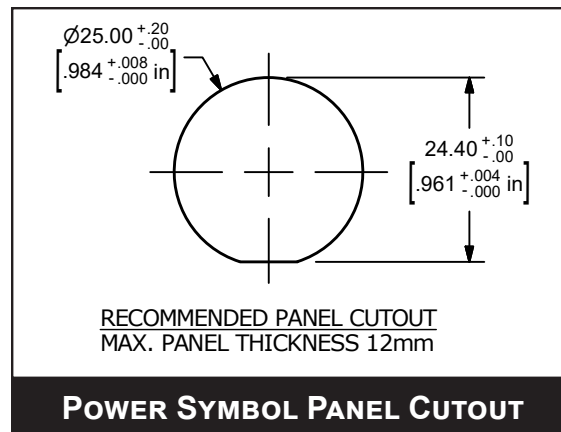
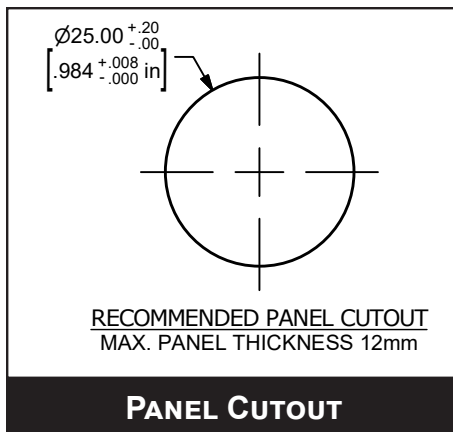
SPDT Non ILL SCHEMATIC



DPDT LED SCHEMATIC

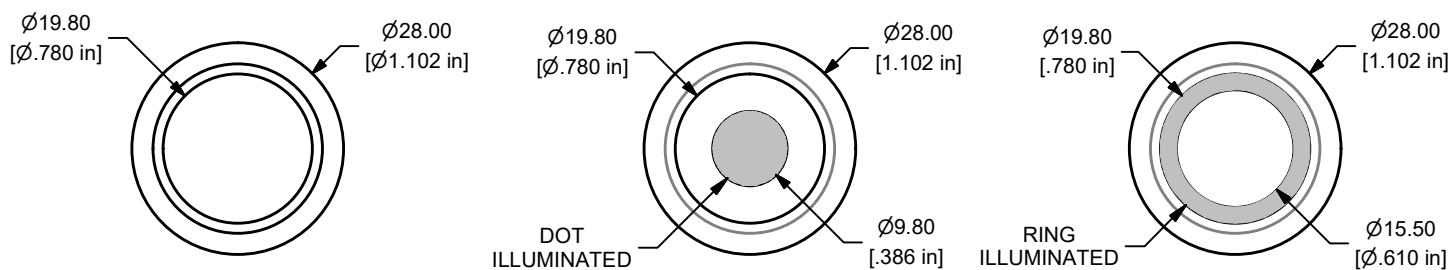


DPDT Non ILL SCHEMATIC



PV8 SERIES ANTI-VANDAL SWITCH

LENS STYLE OPTIONS

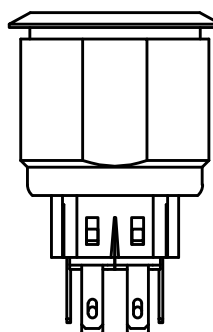
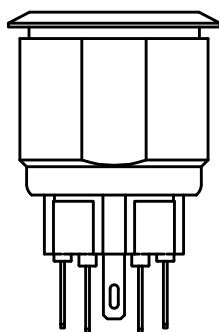
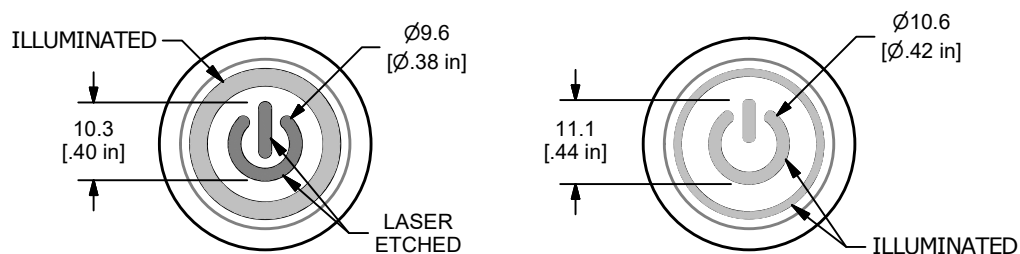


NON-ILLUMINATED

DOT ILLUMINATION

RING ILLUMINATION

GRAPHIC OPTIONS



**M11
POWER SYMBOL
LASER ETCHED**

**M14
POWER SYMBOL ILLUMINATION
(WITH RING ILLUMINATION)**

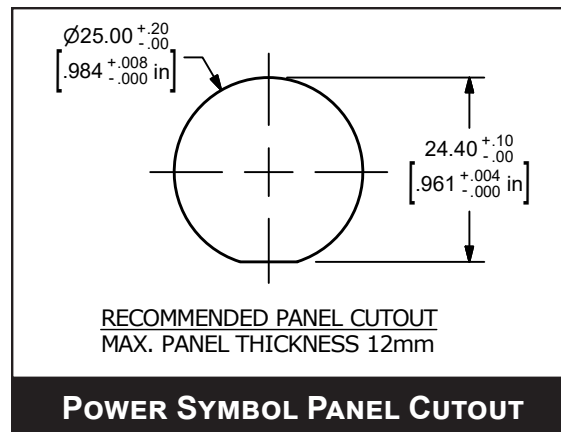
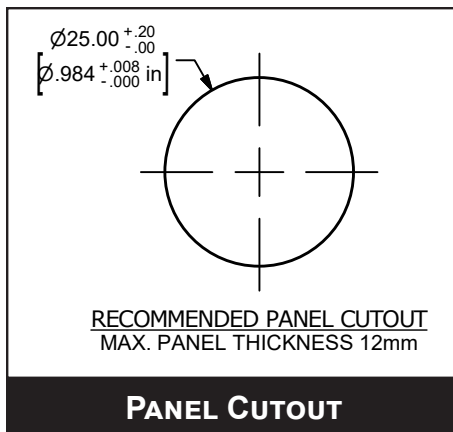
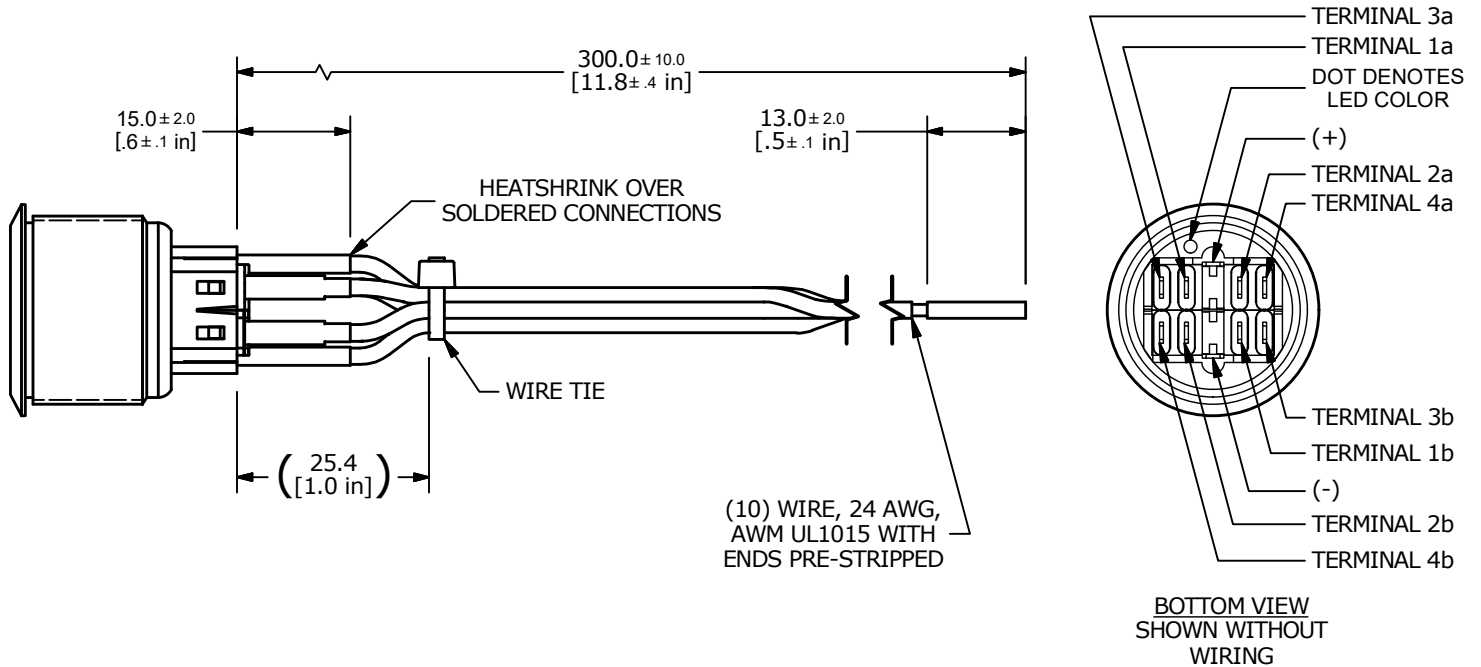


PV8 SERIES ANTI-VANDAL SWITCH

STANDARD LED WIRE LEAD

SWITCH	WIRE	LENGTH
SW1-1a	WIRE, 24AWG AWM UL1015, WHITE	300.0 [11.8 in]
SW1-2a	WIRE, 24AWG AWM UL1015, WHITE	300.0 [11.8 in]
SW1-3a	WIRE, 24AWG AWM UL1015, BLUE	300.0 [11.8 in]
SW1-4a	WIRE, 24AWG AWM UL1015, BLUE	300.0 [11.8 in]
SW1-1b	WIRE, 24AWG AWM UL1015, WHITE	300.0 [11.8 in]
SW1-2b	WIRE, 24AWG AWM UL1015, WHITE	300.0 [11.8 in]
SW1-3b	WIRE, 24AWG AWM UL1015, BLUE	300.0 [11.8 in]
SW1-4b	WIRE, 24AWG AWM UL1015, BLUE	300.0 [11.8 in]
SW1- (+)	WIRE, 24AWG AWM UL1015, RED	300.0 [11.8 in]
SW1- (-)	WIRE, 24AWG AWM UL1015, BLACK	300.0 [11.8 in]

** WIRE LEADS PROVIDED ARE DEPENDANT ON THE FUNCTION AND/OR ILLUMINATION SELECTED **



Looking for pricing, stock, or lifecycle information?

Click below to explore more details on WIN SOURCE:

 [View PV8F2V0SS-341](#) on WIN SOURCE

 [E-SWITCH](#) Information

Optimize Your Supply Chain with WIN SOURCE Solutions

-  Global Sourcing Solution
-  Obsolete Management
-  Cost Control Management
-  Shortage Management
-  Alternative Solution
-  Excess Inventory Management