



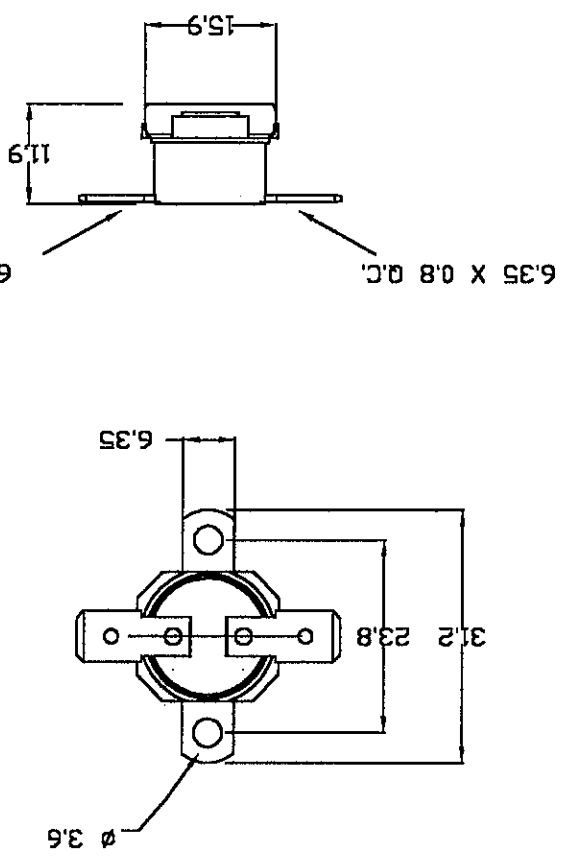
THE DATASHEET OF
2455RP-91000438



ALL DIMENSIONS ARE FOR REFERENCE ONLY

DO NOT SCALE DRAWING

ALL DIMENSIONS IN MM UNLESS STATED.



NOTE- ORIENTATION OF BRACKET IS NOT FIXED

DRAWN BY,

G.D.

CODING REQUIREMENTS
 COLOUR, WHITE
 L100C
 9100-438-UXX
 7100-438-ZXX
 (XXX = DATE CODING)

CAP, MAT'L)
 BRK'T), B203S MAT'L) STEEL
 PLATING) NICKEL
 TERMINAL) T146
 MATERIAL) BRASS
 PLATING) -



ELMWOOD DRG No. 965206

ISSUE C

DATE OF ISSUE STAMP
~~18 JAN 2003~~

ELMWOOD DEVICE & UNIQUE PART NUMBER
 2455RP-9100-438(UK)
 2455RP-7100-438(CHINA)

ISSUE	MDD No.	MTH/YR	A	3052	03/97
			B	3358	07/98
			C	3640	01/01

OPERATING CRITERIA		VOLTS, 240VAC	AMPS, 10A
OPERATING CRITERIA		OPEN, 100±4°C	CLOSE, 85±5°C

SPECIAL ARRANGEMENTS
 PURPLE SPOT
 NOTE-
 CODING TO SUIT MANUFACTURING SITE

Looking for pricing, stock, or lifecycle information?

Click below to explore more details on WIN SOURCE:

 [View 2455RP-91000438 on WIN SOURCE](#)

 [Honeywell Information](#)

Optimize Your Supply Chain with WIN SOURCE Solutions

-  Global Sourcing Solution
-  Obsolete Management
-  Cost Control Management
-  Shortage Management
-  Alternative Solution
-  Excess Inventory Management