



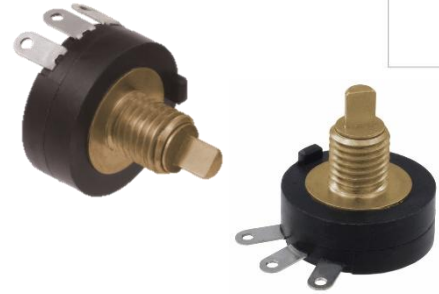
**THE DATASHEET OF
284TBBK103A26A1**



Series 284

16mm Precision Rotary Potentiometer

- Conductive Plastic Element
- 16mm x 6mm Compact Size
- Up to 3 Million Life Cycles
- 2% Precision Linearity Option
- Ingression Protection Rating Options
- Wide Operating Temperature Range
- Solder Lug Terminal
- Variety of Shaft and Bushing Lengths



Description

Series 284 Rotary Potentiometer provides the user with a robust, long life, highly reliable product in a sealed housing which complies ingress protection rating of up to IP67. Options include various shaft and bushing lengths, shaft styles, resistance values and tolerances, and rotational angle options to meet application requirements.

Ordering Information

Series	Terminal Style	Bushing Length "A"	Shaft Length "L"		Metal Shaft Trim		Resistance Code Examples				
284	T	A	A	R	103	A	2	4	B	1	
Code		Terminal Style		Code		Spec.		Code		Spec.	
T		Solder lug		R		Round		A		±10%	
				F		Flatted		B		±20%	
				K		Split Knurl (Available on M7 bushing only)		4		IP40	
				S		Slotted		5		IP54	
								6		IP67	
Code		Bushing Length		Code		Spec.		Code		Spec.	
		2.5mm or .125" Increments		1		.625"(15.9mm)		2		±2%	
2		.250" (6.35mm)		2		.750"(19.1mm)		4		±4%	
3		.375" (9.53mm)		3		.875"(22.2mm)		1		Left Side (7.3mm)	
4		.500" (12.7mm)		4		1.000"(25.4mm)					
				5		1.125"(28.6mm)					
Diameter: 1/4" - 32UNEF-2A		Length increment: 1/8"		Code		Spec		Code		Resistance	
A		5.0mm(.196")		102		1K					
B		7.5mm(.295")		103		10K					
C		10.0mm(.393")		503		50K					
Diameter: M7 x .75P Length increment: 2.5mm				104		100K					
				504		500K					
				Code		Spec		Code		Spec.	
				A		220°		A		220°	
				B		60°		B		60°	
				E		30 mm(1.181")					
				Diameter: 1/8"		Length increment: 1/8"					
				A		10 mm(.394")					
				B		15 mm(.591")					
				C		20 mm(.787")					
				D		25 mm(.984")					
				E		30 mm(1.181")					
				Diameter: 6mm		Length increment: 5mm					

Electrical Specifications

Parameter	Conditions & Remarks	Min	Max	Unit
Resistance Range	Linear	1K	500K	Ω
Resistance Tolerance	Standard	-20	+20	%
	Special	-10	+10	%
Dielectric Strength	1 minute		500	VDC
Power Rating	55°C		0.25	watts
Operating Voltage			350	VDC
Insulation Resistance	100 VDC	100		MΩ
Linearity		-2	+2	%
Effective Electrical Angle	See ordering information			

Mechanical and Environmental

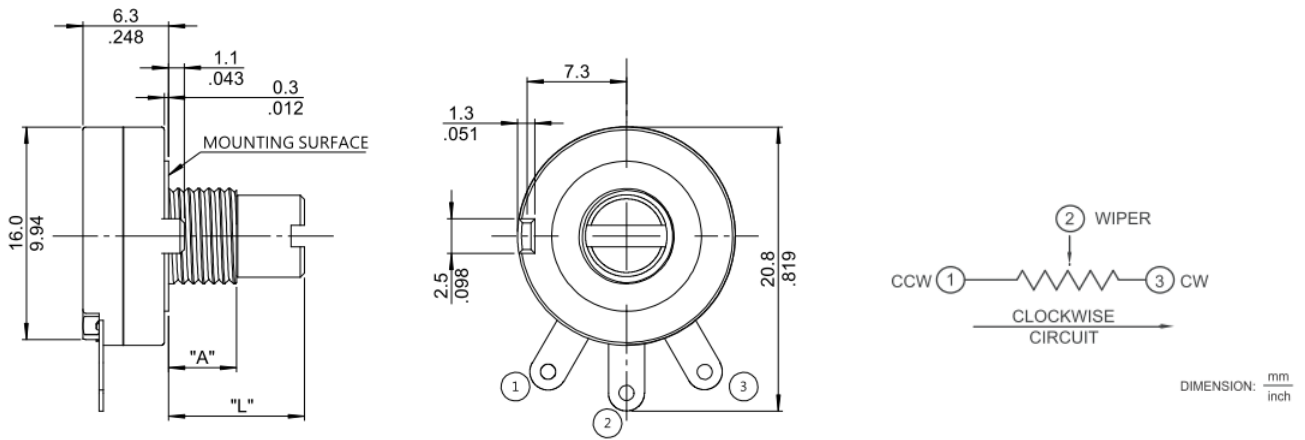
Parameter	Conditions & Remarks	Min	Max	Unit
Operating Temperature Range		-40	+125	°C
Storage Temperature:		-55	+150	°C
Rotational Torque	IP40	3	30	gf-cm
	IP54 & IP67	20	120	gf-cm
Rotational Life	220° EEA	2,000,000		Cycles
	60° EEA	3,000,000		Cycles
Vibration	15G, 10 to 2000 Hz			
Mechanical Angle			250	°
Stop Strength		9		kgf-cm
Vibration	15G, 10 to 2000 Hz			
Push-Pull Strength of Shaft	13.6 kg for 10 seconds			
Ingress Protection Rating	IP40, IP54 & IP67			
Soldering Condition:	Maximum temperature of 260° for 5 seconds			
Packaging:	Standard tray packaging			

All testing is performed at room ambient conditions except as noted. Users should verify device actual performance in their specific applications. This product is compliant to RoHS3 Directive 2015/863 Amendments of Annex II, and REACH SVHC Directive EC 1907/2006 Amendments of Annex XIV & Annex XVII on 15 January 2018.

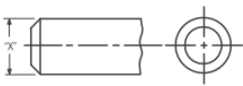
Custom and value-added options available on request. Please contact your sales representative for additional information

Mechanical Specifications

Figure 1 – 284T – Metal Shaft, Bushing Mount, Solder Lug Terminal

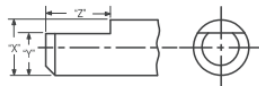


Shaft Trim



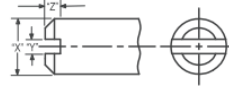
R - ROUND

	X
Imperial Shaft	.125"
Metric Shaft	6.00



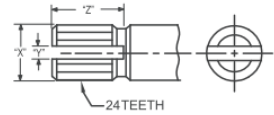
F - FLATTED

	X	Y	Z
Imperial Shaft	.125"	.076"	.156"
Metric Shaft	6.00	4.00	5.00



S - SLOTTED

	X	Y	Z
Imperial Shaft	.125"	.039"	.047"
Metric Shaft	6.00	1.57	1.00



K - SLOT & KNURLED

	X	Y	Z
Imperial Shaft	.236"	.062"	.157"
Metric Shaft	6.00	1.57	4.00

*Slot and knurled shafts available with M7 thread size only

Looking for pricing, stock, or lifecycle information?

Click below to explore more details on WIN SOURCE:

 [View 284TBBK103A26A1](#) on WIN SOURCE

 [CTS Electrocomponents](#) Information

Optimize Your Supply Chain with WIN SOURCE Solutions

-  Global Sourcing Solution
-  Obsolete Management
-  Cost Control Management
-  Shortage Management
-  Alternative Solution
-  Excess Inventory Management