



THE DATASHEET OF
170-101-170L001

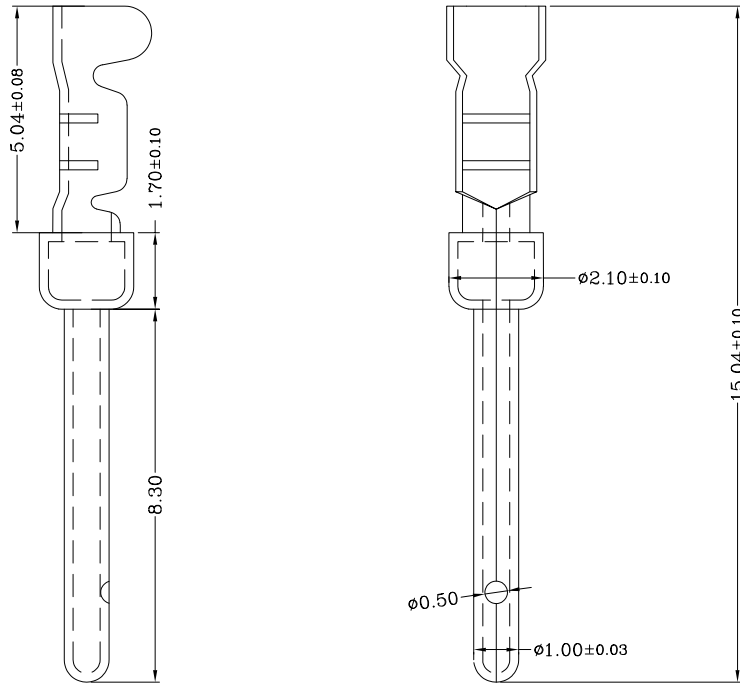


DESCRIPTION: MALE // D-SUB CRIMP CONTACT // LOOSE

SPECIFICATIONS:

MATERIALS:

CONTACT: BRASS
 PLATING: SEE P/N TABLE BELOW
 AMPERAGE: 5A MAX



PART NUMBER	PLATING	WIRE AWG RANGE
170-101-170L001	GOLD FLASH ON MATING AREA // NICKEL ON WIRE CRIMP AREA	20-28 AWG
170-101-170L002	10µ" GOLD OVER 50µ" NICKEL ENTIRE CONTACT	20-28 AWG
170-101-170L003	30µ" GOLD OVER 100µ" NICKEL ENTIRE CONTACT	20-28 AWG

NOTE: CONTACTS SUPPLIED IN BAGS OF 500/pcs

NORCOMP CRIMP TOOL PART NUMBER => 170-701-170-000

RoHS COMPLIANT

UNITS = mm DO NOT SCALE FROM DRAWING



THESE DRAWINGS AND SPECIFICATIONS ARE THE PROPERTY OF NorComp AND SHALL NOT BE REPRODUCED, COPIED OR USED AS THE BASIS FOR THE MANUFACTURE OR SALE OF APPARATUS WITHOUT WRITTEN PERMISSION.

DRAWN: P. JENKINS
 DATE: 05/23/2002

NorComp

SCALE: NTS SHEET 1 OF 1 REV 5
 DWG NO. 170-101-170L00Y

Looking for pricing, stock, or lifecycle information?

Click below to explore more details on WIN SOURCE:

 [View 170-101-170L001 on WIN SOURCE](#)

 [NorComp Inc. Information](#)

Optimize Your Supply Chain with WIN SOURCE Solutions

-  Global Sourcing Solution
-  Obsolete Management
-  Cost Control Management
-  Shortage Management
-  Alternative Solution
-  Excess Inventory Management