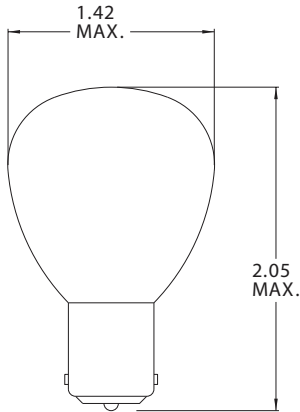




THE DATASHEET OF
1096

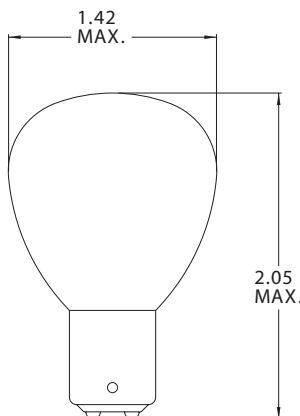


RP-11 Single Contact Bayonet Base



Part Number	Design Voltage	Amps	MSCP	Life Hours	Filament Type
CM1183	5.5	6.25	50.0	100	C-2V
CM1105	6.2	5.72	50.0	125	C-2V
CM1133	6.2	3.91	32.0	200	C-2R
CM1143	12.5	1.98	32.0	400	C-2R
CM1195	12.5	3.00	50.0	300	C-2V
CM1293	12.5	3.00	50.0	300	C-2R
CM1139	12.8	1.04	15.0	700	C-6
CM1041	22.0	1.50	50.0	100	C-2V
CM1145	22.0	.96	27.0	100	C-2V
CM1047	26.0	2.70	105.0	25	2CC-6

RP-11 Double Contact Bayonet Base





Part Number	Design Voltage	Amps	MSCP	Life Hours	Filament Type
CM1184	5.5	6.25	50.0	100	C-2V
CM1000	6.2	3.90	32.0	125	C-2V
	6.2	3.98	32.0	125	C-2V*
CM1134	6.2	3.91	32.0	200	C-2R
CM1096	12.5	3.00	50.0	300	C-2V
CM1124	12.5	1.92	32.0	300	2C-2R*
	12.5	1.92	32.0	300	
CM1144	12.5	1.98	32.0	400	C-2R
CM1054	32.0	.74	32.0	100	C-2V
CM1056	32.0	1.15	50.0	100	C-7A
CM1230	32.0	.55	21.0	100	C-2V
CM1062	40.0	.92	50.0	100	C-5
CM1150	44.0	.47	21.0	150	C-13

* Dual Filament Lamp

Looking for pricing, stock, or lifecycle information?

Click below to explore more details on WIN SOURCE:

-  [View 1096](#) on WIN SOURCE
-  [Pololu Corporation](#) Information

Optimize Your Supply Chain with WIN SOURCE Solutions

-  Global Sourcing Solution
-  Obsolete Management
-  Cost Control Management
-  Shortage Management
-  Alternative Solution
-  Excess Inventory Management