



**THE DATASHEET OF
PV3WF2B011-333**

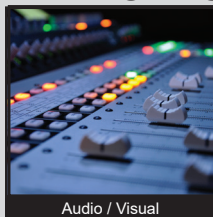


PV3 SERIES ANTI-VANDAL SWITCH

ANTI-VANDAL SWITCHES
DETECTOR SWITCHES
DIP SWITCHES
KEYLOCK SWITCHES
NAVIGATION SWITCHES
PUSHBUTTON SWITCHES
ROCKER SWITCHES
ROTARY SWITCHES
SLIDE SWITCHES
SNAP ACTION SWITCHES
TACTILE SWITCHES
TOGGLE SWITCHES
CAP OPTIONS



APPLICATIONS / MARKETS



SPECIFICATIONS

Electrical Rating: 2A, 48VDC
Mechanical Life: 200,000 Cycles
Electrical Life: 50,000 Cycles
Contact Resistance: 50mΩ Max.
Insulation Resistance: 1000MΩ Max.
Operating/Storage Temperature: -40°C to 85°C
Travel: 2.80mm
Moisture Protection: IP40 (PV3,PV3S) & IP67 (PV3W, PV3SW)
Contact Arrangement: SPDT & DPDT
Actuation Force: 4 N
Panel Thickness: 1-8mm
Mounting Nut Torque: 0.6Nm

FEATURES & BENEFITS

- 16mm diameter panel cutout
- Dot and ring illumination options
- Multiple actuator options
- Non-sealed and seal option configurable
- SPDT & DPDT
- Soldered wire leads (300mm long) optional

PART NUMBER CONFIGURATOR

Series	Actuator Options	Terminal Options	Function Options	Rating Options	Body Finish Options	Actuator Finish Options	Contact Material Options	Lens Style Options	Lens Color Options	Illumination Voltage Options
<input type="checkbox"/> PV3 - Non Water-Resistant Version: Long Body <input type="checkbox"/> PV3S - Non Water-Resistant Version: Short Body Non-Illuminated only <input type="checkbox"/> PV3W - Water-Resistant Version: Long Body <input type="checkbox"/> PV3SW - Water-Resistant Version: Short Body Non-Illuminated only	<input type="checkbox"/> F - Flat <input type="checkbox"/> H - High <input type="checkbox"/> G - Guarded Concave	<input type="checkbox"/> 2 - Solder Leads <input type="checkbox"/> W - Wire 300mm	<input type="checkbox"/> B - 1 Pole On - (On)* <input type="checkbox"/> H - 2 Pole On - (On)*	<input type="checkbox"/> 0 - 2A, 48VDC	<input type="checkbox"/> 1 - Black Anodized <input type="checkbox"/> N - Nickel <input type="checkbox"/> B - Brushed Stainless <input type="checkbox"/> S - Polished Stainless	<input type="checkbox"/> 0 - Clear/Aluminum <input type="checkbox"/> 1 - Black Anodized <input type="checkbox"/> 7 - Blue <input type="checkbox"/> 8 - Green <input type="checkbox"/> 9 - Red <input type="checkbox"/> N - Nickel <input type="checkbox"/> B - Brushed Stainless <input type="checkbox"/> S - Polished Stainless	<input type="checkbox"/> NONE - Silver <input type="checkbox"/> G - Gold	<input type="checkbox"/> NONE - Non-Illuminated <input type="checkbox"/> 2 - Dot Illumination <input type="checkbox"/> 3 - Ring Illumination	<input type="checkbox"/> NONE - Non-Illuminated <input type="checkbox"/> 0 - White <input type="checkbox"/> 1 - Red <input type="checkbox"/> 2 - Orange <input type="checkbox"/> 3 - Green <input type="checkbox"/> 4 - Blue <input type="checkbox"/> 5 - Yellow	<input type="checkbox"/> NONE - Non-Illuminated <input type="checkbox"/> 1 - Base Voltage [†] <input type="checkbox"/> 3 - 6V <input type="checkbox"/> 4 - 12V <input type="checkbox"/> 5 - 24V <input type="checkbox"/> 6 - 125V

NOTES:

* () denotes function is momentary
[†] Base voltage for LED colors red, yellow, and orange is 1.8V @ 20mA
[‡] Base voltage for LED colors blue, green and white is 2.8V @ 20mA

Specifications subject to change without notice 8.28.2025



E-SWITCH®

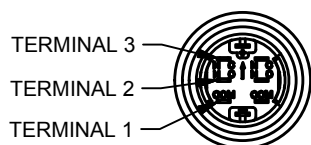
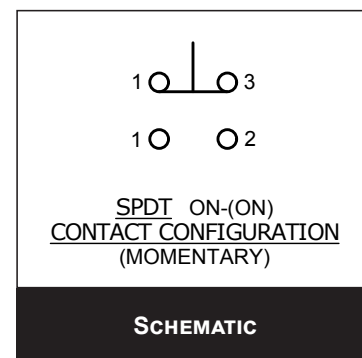
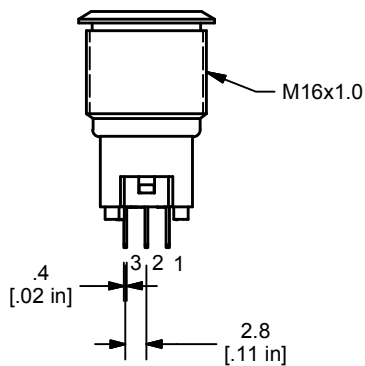
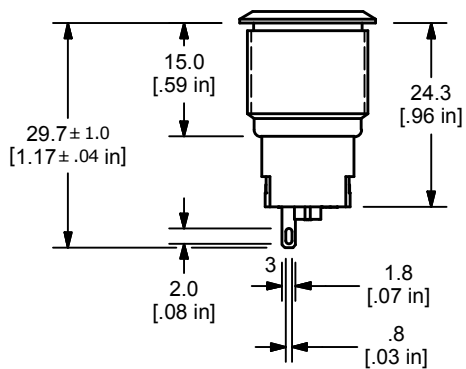
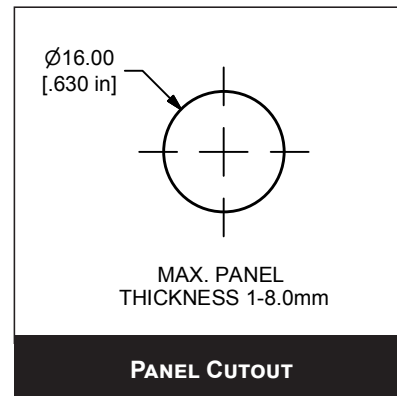
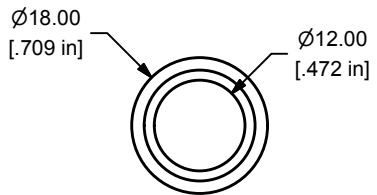
www.e-switch.com

800.867.2717

1

PV3 SERIES ANTI-VANDAL SWITCH

BODY DIMENSIONS



SHORT BODY



E-SWITCH®

www.e-switch.com

800.867.2717

2

ANTI-VANDAL SWITCHES

DETECTOR SWITCHES

DIP SWITCHES

KEYLOCK SWITCHES

NAVIGATION SWITCHES

PUSHBUTTON SWITCHES

ROCKER SWITCHES

ROTARY SWITCHES

SLIDE SWITCHES

SNAP ACTION SWITCHES

TACTILE SWITCHES

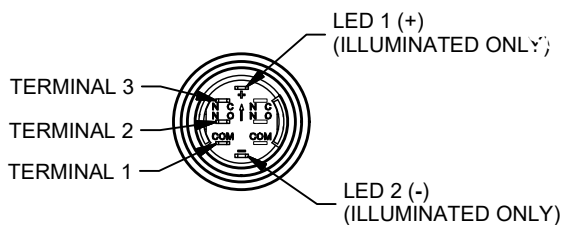
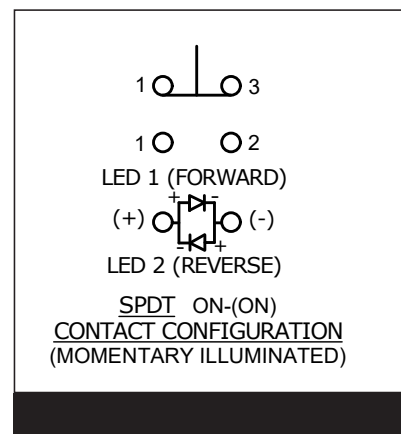
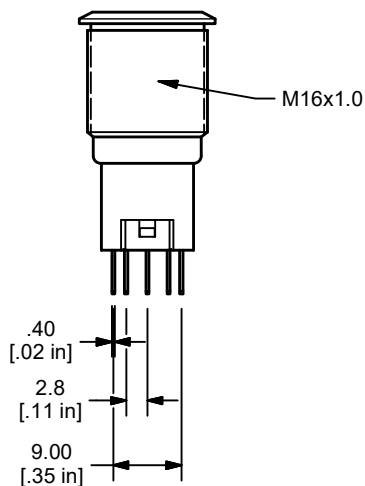
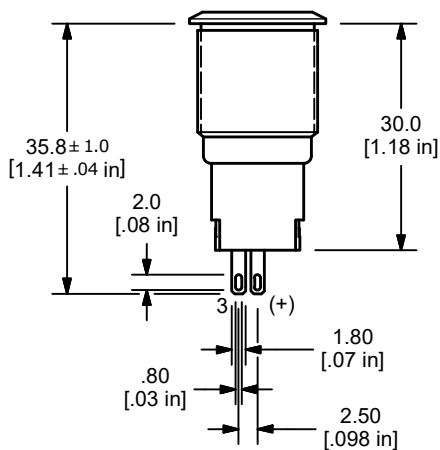
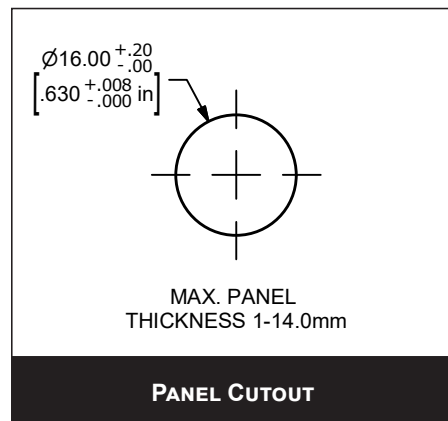
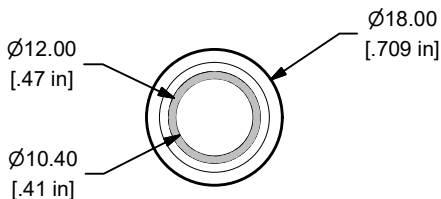
TOGGLE SWITCHES

CAP OPTIONS

PV3 SERIES ANTI-VANDAL SWITCH

BODY DIMENSIONS

- ANTI-VANDAL SWITCHES
- DETECTOR SWITCHES
- DIP SWITCHES
- KEYLOCK SWITCHES
- NAVIGATION SWITCHES
- PUSHBUTTON SWITCHES
- ROCKER SWITCHES
- ROTARY SWITCHES
- SLIDE SWITCHES
- SNAP ACTION SWITCHES
- TACTILE SWITCHES
- TOGGLE SWITCHES
- CAP OPTIONS

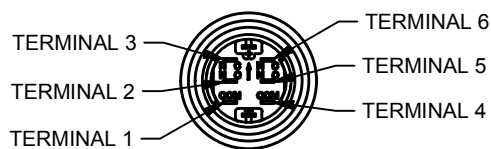
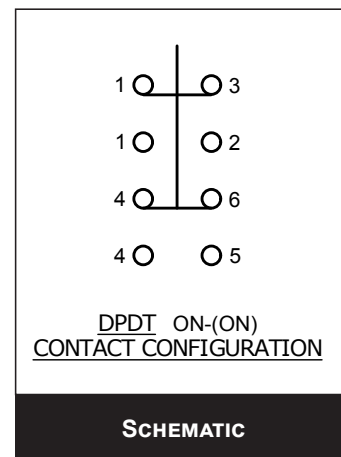
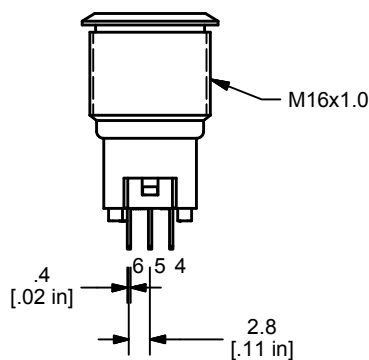
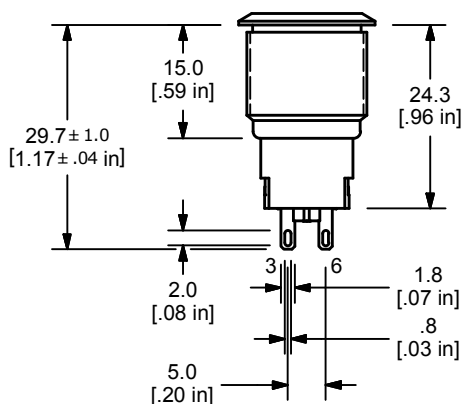
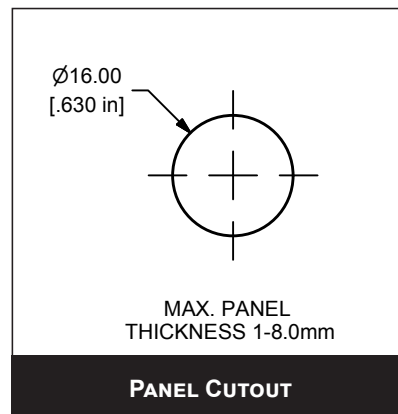
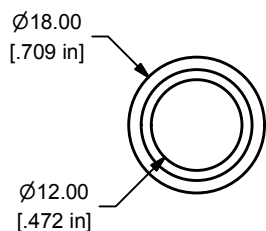


LONG BODY



PV3 SERIES ANTI-VANDAL SWITCH

BODY DIMENSIONS



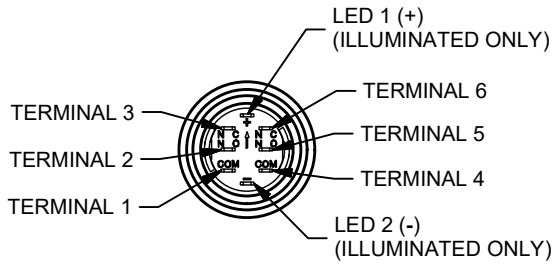
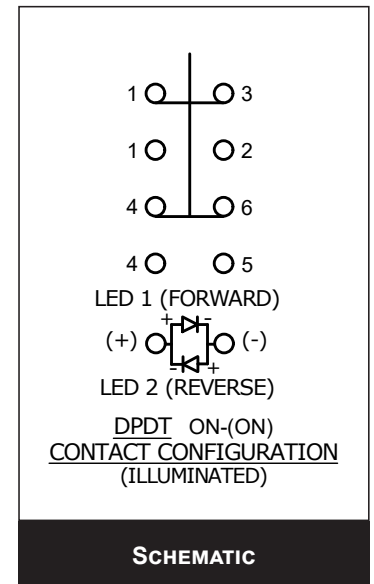
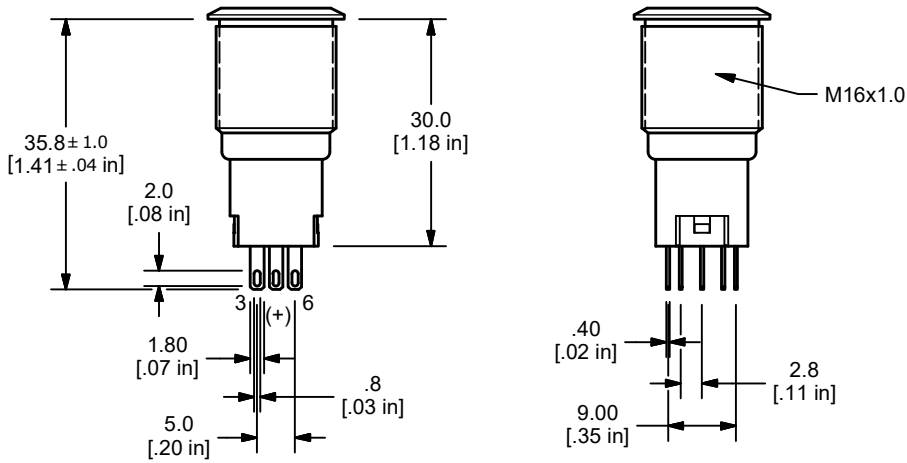
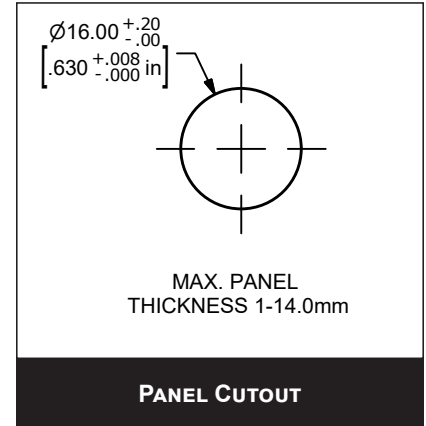
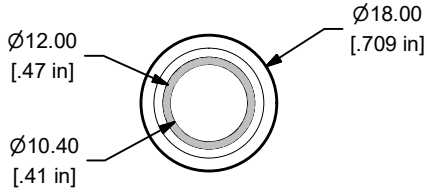
SHORT BODY

- ANTI-VANDAL SWITCHES
- DETECTOR SWITCHES
- DIP SWITCHES
- KEYLOCK SWITCHES
- NAVIGATION SWITCHES
- PUSHBUTTON SWITCHES
- ROCKER SWITCHES
- ROTARY SWITCHES
- SLIDE SWITCHES
- SNAP ACTION SWITCHES
- TACTILE SWITCHES
- TOGGLE SWITCHES
- CAP OPTIONS



PV3 SERIES ANTI-VANDAL SWITCH

BODY DIMENSIONS

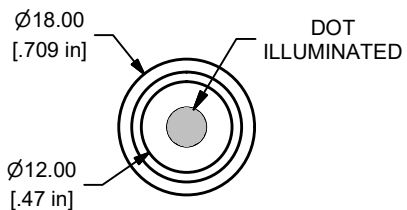


LONG BODY

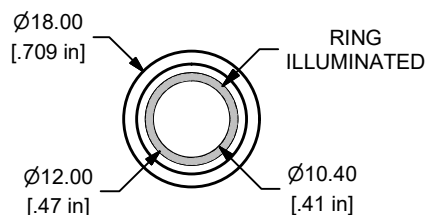


PV3 SERIES ANTI-VANDAL SWITCH

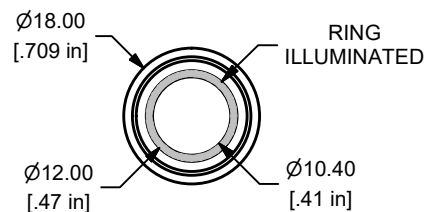
ILLUMINATION OPTIONS



DOT ILLUMINATED

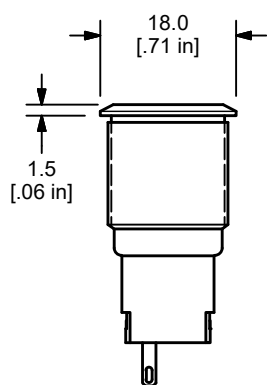
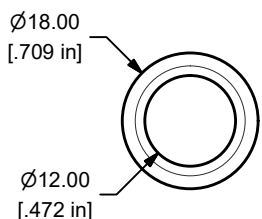


RING ILLUMINATED

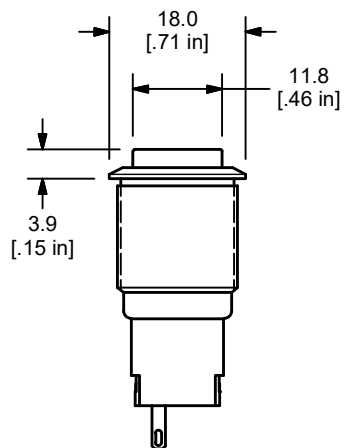
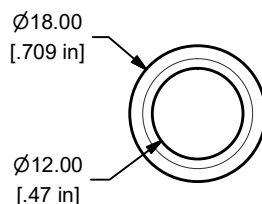


**RING ILLUMINATED
WITH GUARDED CONCAVE ACTUATOR**

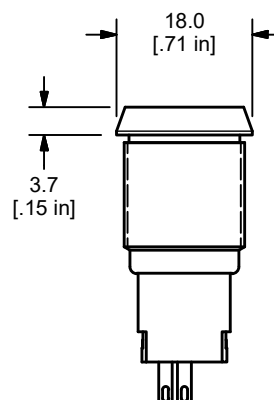
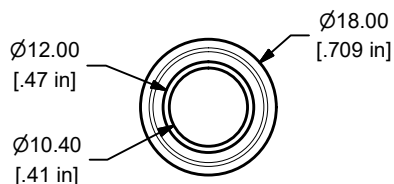
ACTUATOR OPTIONS



FLAT ACTUATOR



HIGH ACTUATOR



GUARDED CONCAVE

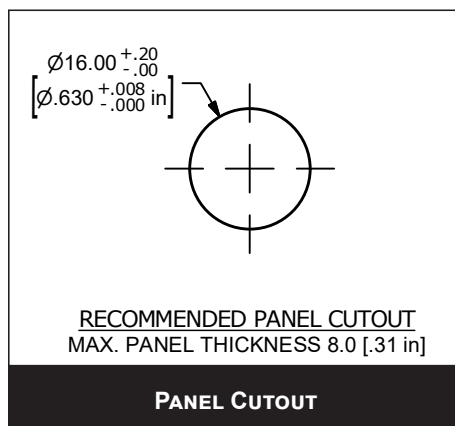
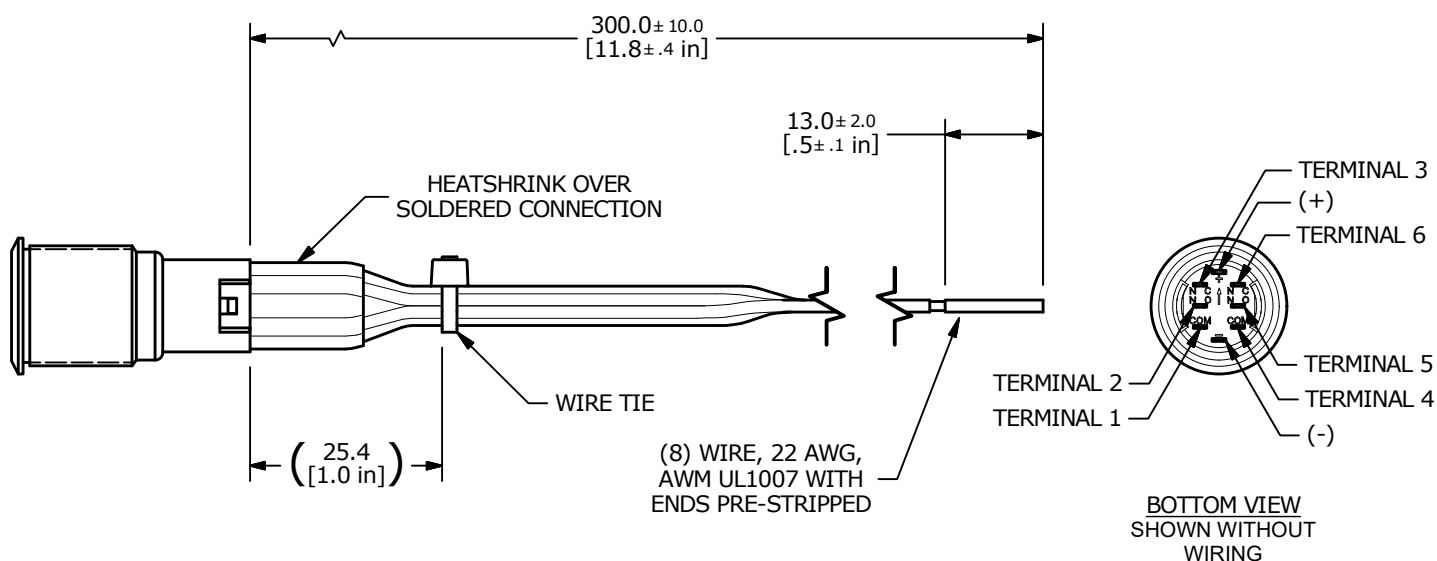


PV3 SERIES ANTI-VANDAL SWITCH

STANDARD LED WIRE LEAD


SWITCH	WIRE	LENGTH
SW1-1	WIRE, 22AWG AWM UL1007, YELLOW	300.0 [11.8 in]
SW1-2	WIRE, 22AWG AWM UL1007, BLUE	300.0 [11.8 in]
SW1-3	WIRE, 22AWG AWM UL1007, GREEN	300.0 [11.8 in]
SW1-4	WIRE, 22AWG AWM UL1007, PURPLE	300.0 [11.8 in]
SW1-5	WIRE, 22AWG AWM UL1007, ORANGE	300.0 [11.8 in]
SW1-6	WIRE, 22AWG AWM UL1007, WHITE	300.0 [11.8 in]
SW1- (+)	WIRE, 22AWG AWM UL1007, RED	300.0 [11.8 in]
SW1- (-)	WIRE, 22AWG AWM UL1007, BLACK	300.0 [11.8 in]

** WIRE LEADS PROVIDED ARE DEPENDANT ON THE FUNCTION AND/OR ILLUMINATION SELECTED **



Looking for pricing, stock, or lifecycle information?

Click below to explore more details on WIN SOURCE:

 [View PV3WF2B011-333 on WIN SOURCE](#)

 [E-SWITCH](#) Information

Optimize Your Supply Chain with WIN SOURCE Solutions

-  Global Sourcing Solution
-  Obsolete Management
-  Cost Control Management
-  Shortage Management
-  Alternative Solution
-  Excess Inventory Management