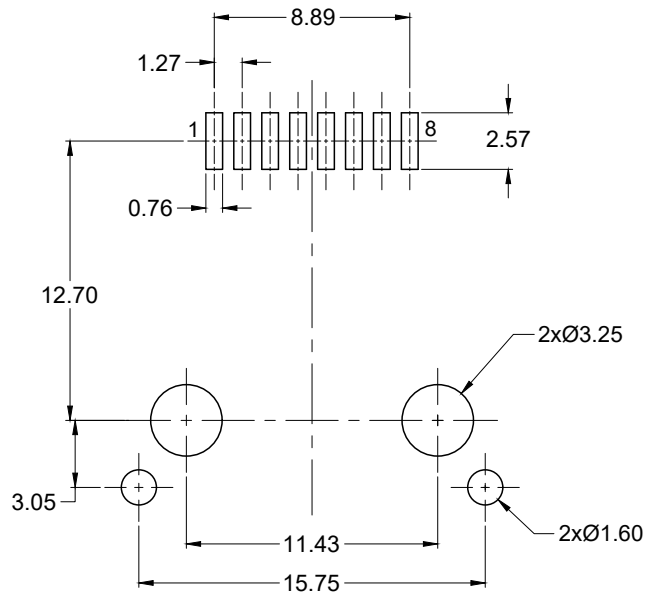
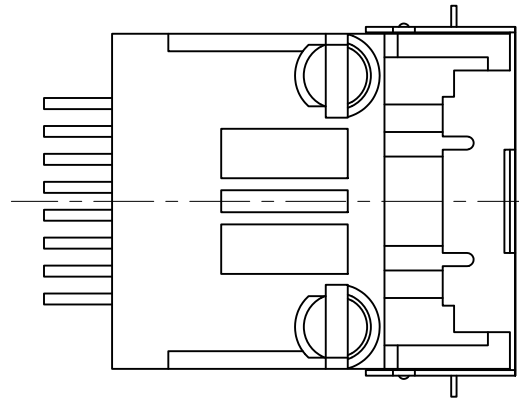
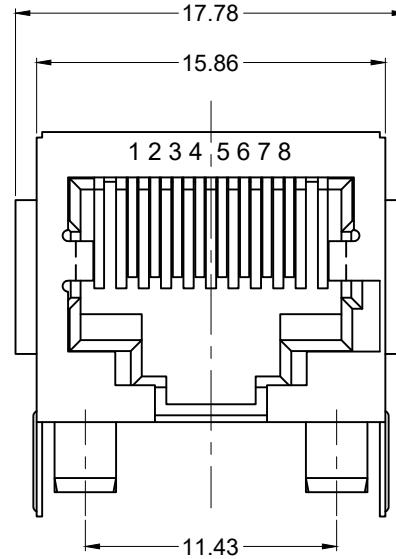
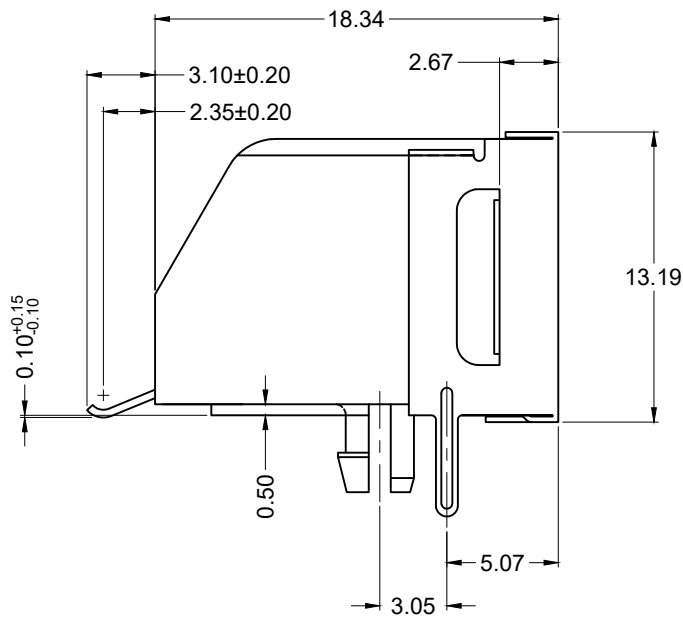




**THE DATASHEET OF
GDLX-SMT-S-88-50**





Recommended PCB Layout
(Top View)

Materials and Finish

Housing Material-
High Temp material
UL 94V-0 Rated
Color: Black

Reflow Process Compatible

Contact Material-
Phosphor Bronze

Contact Plating Options-
Standard: 0.0001" Nickel
Plating, Selective Plating
Gold Flash on Contact
Area tin on termination end

50: 0.0001" Nickel Plating,
Selective Plating 0.000050"
Gold on Contact Area to
Comply with FCC Requirements
Under No. 47 C.F.R. Part 68,
Subpart F tin on termination end

Electrical Characteristics

Current Rating-
1.0 Amps

Voltage Rating-
125V DC

Insulation Resistance-
500 Megohms Min.

Dielectric Withstanding Voltage-
1000V rms, 60Hz

Contact Resistance-
20 milliohms Max.

Operating Temperature-
-40°C to +85°C

Durability Rating-
500 mating cycles min.

Part Number	Contact Area Plating Finish
GDLX-SMT-S-88	Gold Flash (standard)
GDLX-SMT-S-88-50	50u" Gold (50 option)

Tolerances

X.X ± 0.25
X.XX ± 0.15
Unless Stated
Otherwise



REV.	DATE	DESCRIPTION	REV. BY	CHK. BY	DRAWN BY	DATE
A2	05/03/10	ECO #10-020	S. Vien	H. MA	R. Aguirre	05/19/05
A3	11/06/13	ECO #13-084	W. Cook	H. MA		
A4	04/16/15	ECO #15-001	H. MA	C. Furumasa	UNITS	mm
A5	05/23/17	ECO #17-014	H. MA	C. Furumasa		
B1	04/02/19	ECO #19-024	G. Serrato	D. Shehan	mm	
B2	06/29/21	ECO #21-007	C. Kelleher	N/A		

GDLX-SMT-S-88

Shielded Right Ang. Mod. Jack

RoHS Compliant, Surface Mount, 8 pos. 8 contact



Looking for pricing, stock, or lifecycle information?

Click below to explore more details on WIN SOURCE:

- ⊖ [View GDLX-SMT-S-88-50 on WIN SOURCE](#)
- ⊖ [Kycon, Inc. Information](#)

Optimize Your Supply Chain with WIN SOURCE Solutions

- ✓ Global Sourcing Solution
- ✓ Obsolete Management
- ✓ Cost Control Management
- ✓ Shortage Management
- ✓ Alternative Solution
- ✓ Excess Inventory Management