

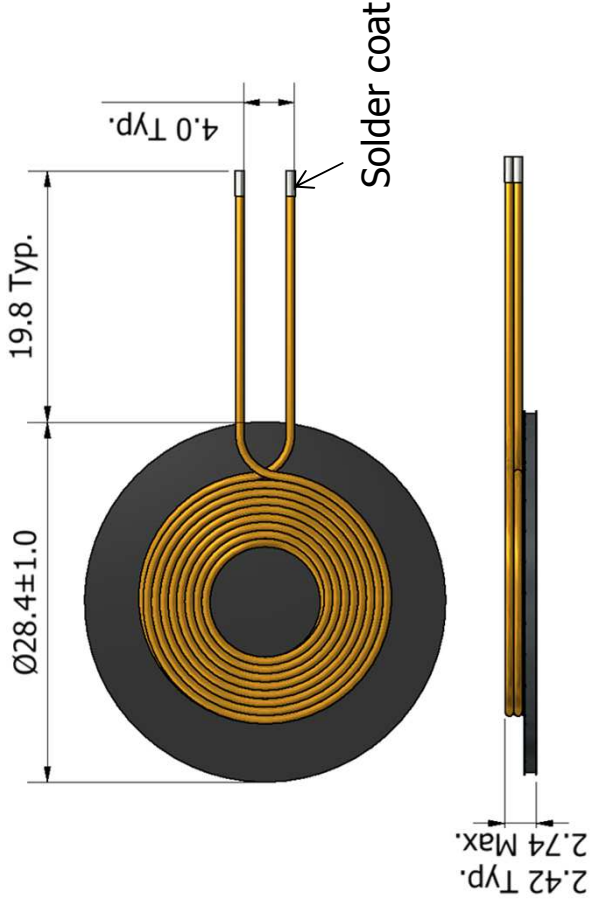


**THE DATASHEET OF
WT282890-16F2-G**



TDK Stacking Proposal (Tx) : WT282890-16F2-G

= Dimension of coil unit =



= Coil un



= Thickness information for stacking =

Unit : mm

Stack	TDK Item	Typ.	Max.
1	Coil+Resin	1.280	1.500
2	Adhesive Tape	0.135	0.142
3	PET Tape	0.050	0.053
4	Ferrite Sheet	0.900	0.990
5	PET Tape	0.050	0.053
Total Thickness		2.42	2.74

= Electrical

Items	Para
1	Indu @10
2	Rs \ @10

Looking for pricing, stock, or lifecycle information?

Click below to explore more details on WIN SOURCE:

 [View WT282890-16F2-G on WIN SOURCE](#)

 [TDK Corporation](#) Information

Optimize Your Supply Chain with WIN SOURCE Solutions

-  Global Sourcing Solution
-  Obsolete Management
-  Cost Control Management
-  Shortage Management
-  Alternative Solution
-  Excess Inventory Management